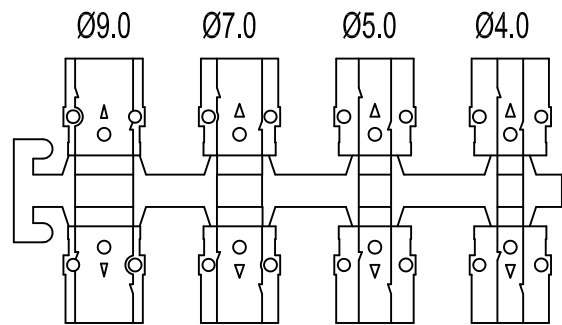
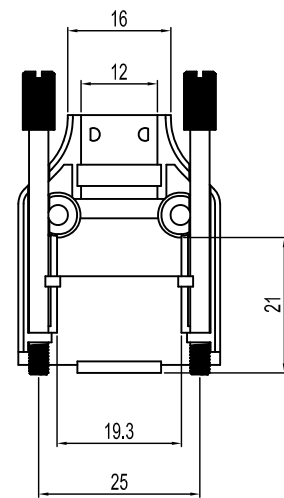
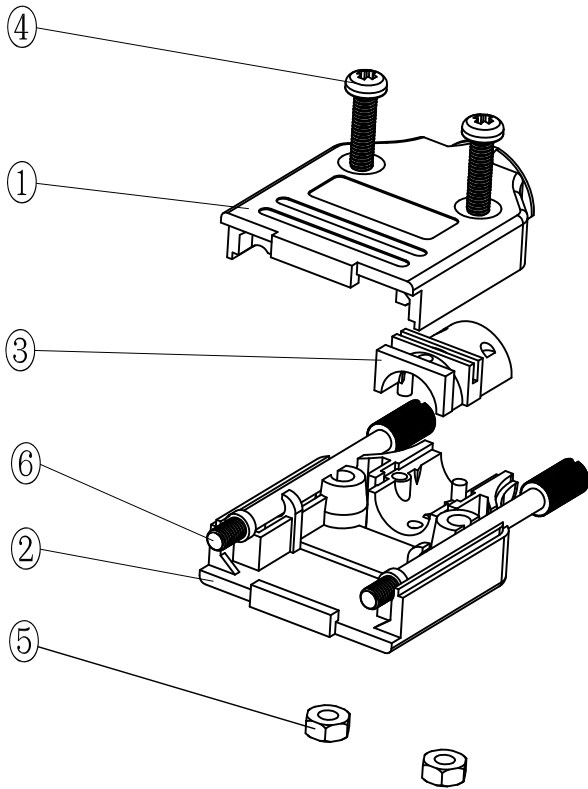
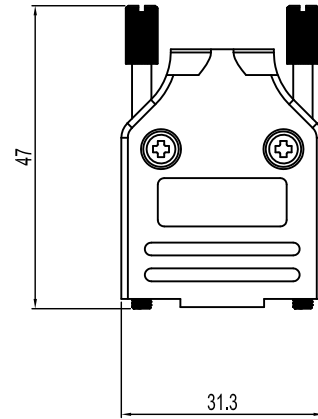
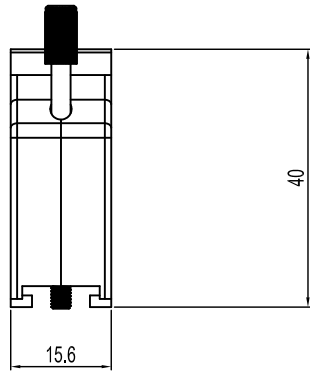


No.	Changes and/or Note No.	Date	Intr	No	Changes and/or Note No.	Date	Intr

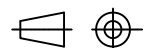


Part Number:	Description:	Pack:	1	1	Top DTPK-9	Cover
			2	1	Bottom DTPK-9	Cover
6560-0145-01	MHDTPK-09-K	Kit	3	1	D45ZK-D1	Grommet
			4	2	M3X11.5	Screw
6561-0145-01	MHDTPK-09	Bulk	5	2	M3	NUT
			6	2	UNC 4-40X45	Jack screw
			Item	QTY	Part Number	Description

DATE: 2008-09-11	DRAWN: YGY	SCALE:	MATERIAL TYPE:
Auditing:	APPROVED: MRR		REPLACES:

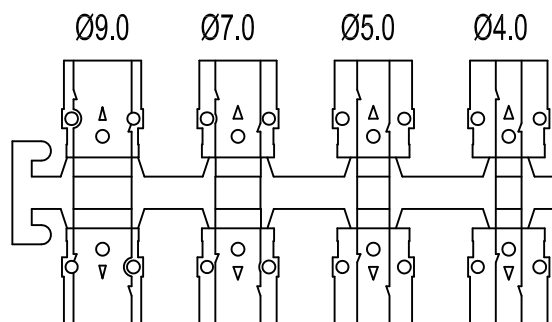
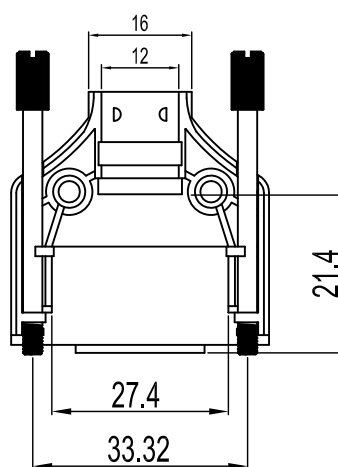
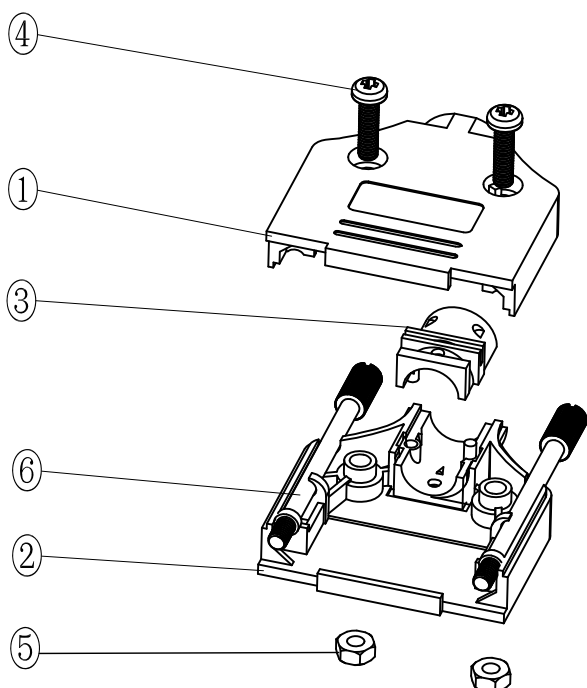
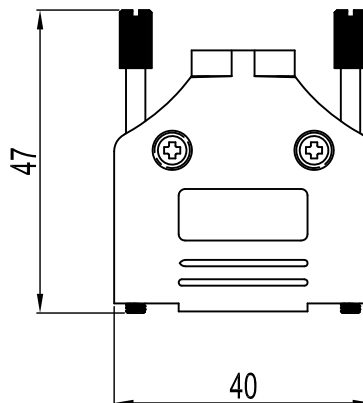
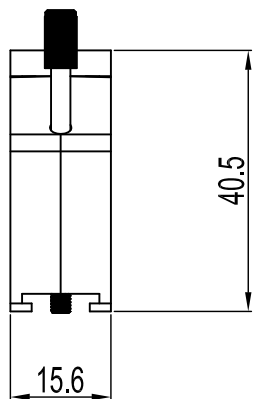


MHDTPK-SERIES



DRAWING No:

No.	Changes and/or Note No.	Date	Intr	No	Changes and/or Note No.	Date	Intr



Part Number:	Description:	Pack:	1	1	Top DTPK-15	Cover
			2	1	Bottom DTPK-15	Cover
6560-0145-02	MH DTPK-15-K	Kit	3	1	D45ZK-D1	Grommet
			4	2	M3X11.5	Screw
6561-0145-02	MH DTPK-15	Bulk	5	2	M3	NUT
			6	2	UNC 4-40X45	Jack screw
			Item	QTY	Part Number	Description

DATE: 2008-09-11	DRAWN: YGY	SCALE:	MATERIAL TYPE:
Auditing:	APPROVED: MRR		REPLACES:

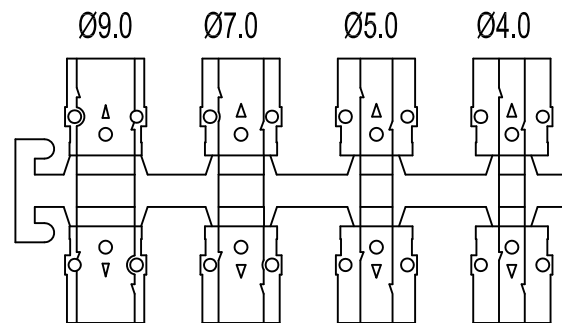
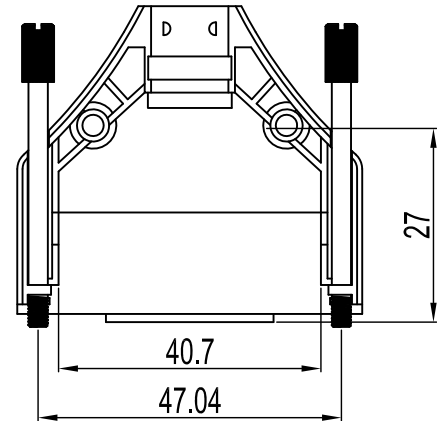
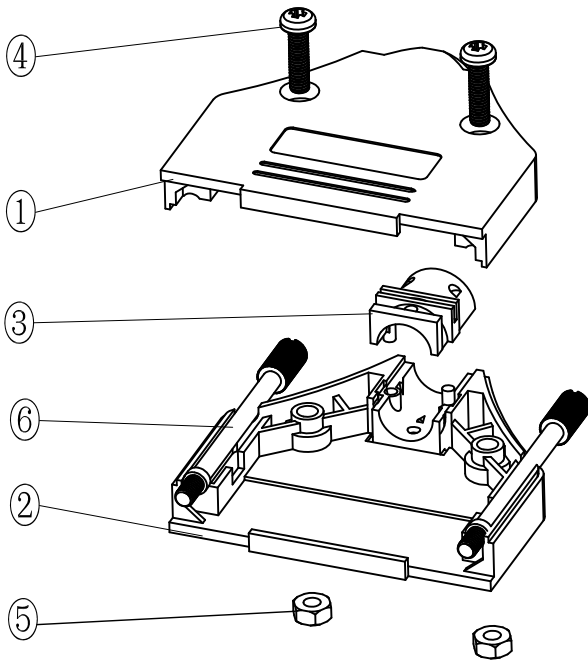
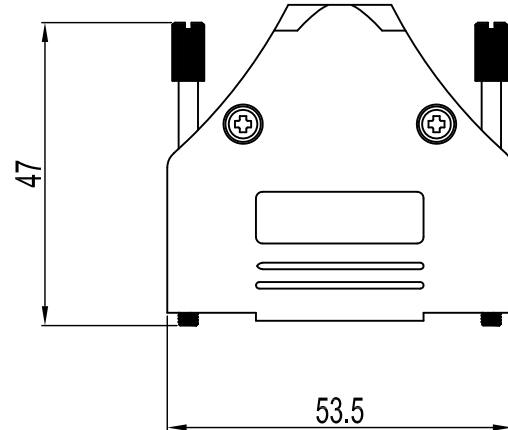
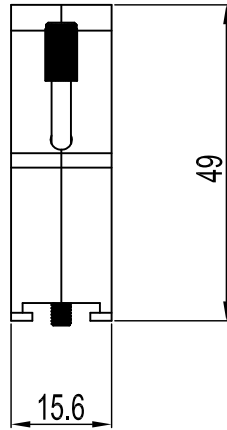


MH DTPK-SERIES



DRAWING No:

No.	Changes and/or Note No.	Date	Intr	No	Changes and/or Note No.	Date	Intr



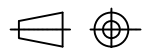
Part Number:	Description:	Pack:	1	1	Top DTPK-25	Cover
			2	1	Bottom DTPK-25	Cover
6560-0145-03	MHDTPK-25-K	Kit	3	1	D45ZK-D1	Grommet
			4	2	M3X11.5	Screw
6561-0145-03	MHDTPK-25	Bulk	5	2	M3	NUT
			6	2	UNC 4-40X45	Jack screw
			Item	QTY	Part Number	Description

DATE: 2008-09-11	DRAWN: YGY	SCALE:	MATERIAL TYPE:
Auditing:	APPROVED: MRR		REPLACES:

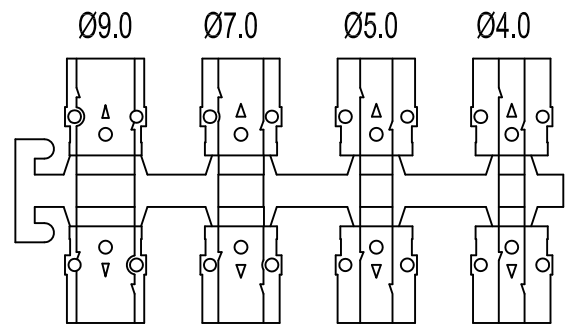
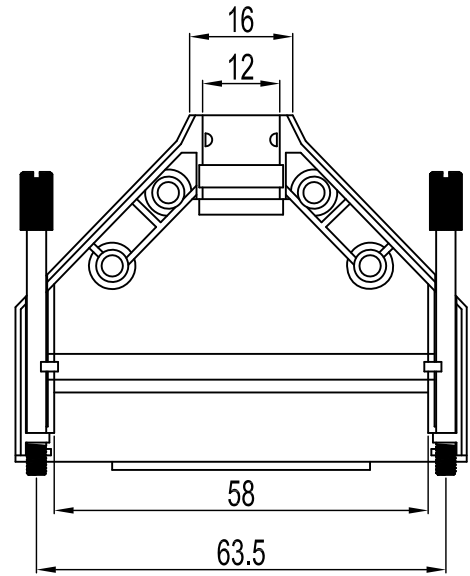
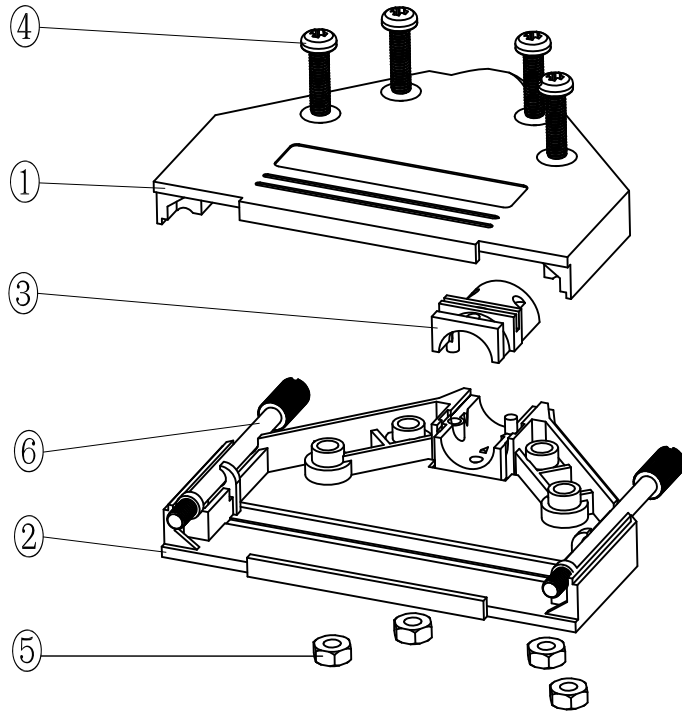
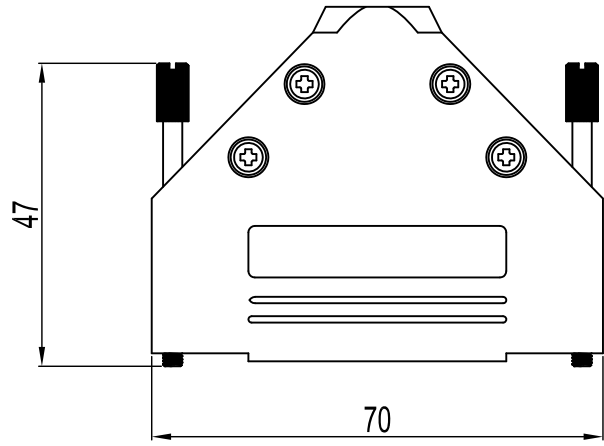
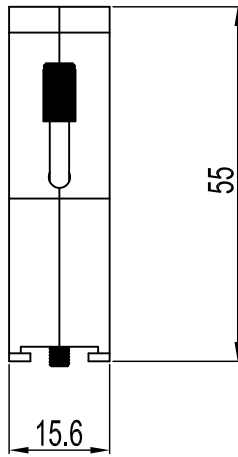


MHDTPK-SERIES

DRAWING No:



No.	Changes and/or Note No.	Date	Intr	No	Changes and/or Note No.	Date	Intr

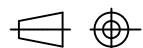


Part Number:	Description:	Pack:	1	1	Top DTPK-37	Cover
6560-0145-04	MHDTPK-37-K	Kit	2	1	Bottom DTPK-37	Cover
6561-0145-04	MHDTPK-37	Bulk	3	1	D45ZK-D1	Grommet
			4	4	M3X11.5	Screw
			5	4	M3	NUT
			6	2	UNC 4-40X45	Jack screw
			Item	QTY	Part Number	Description

DATE: 2008-09-11	DRAWN: YGY	SCALE:	MATERIAL TYPE:
Auditing:	APPROVED: MRR		REPLACES:



MHDTPK-SERIES



DRAWING No: