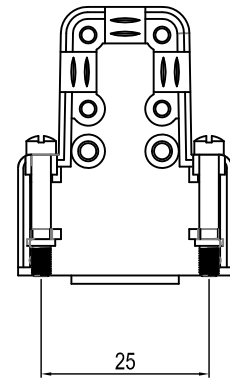
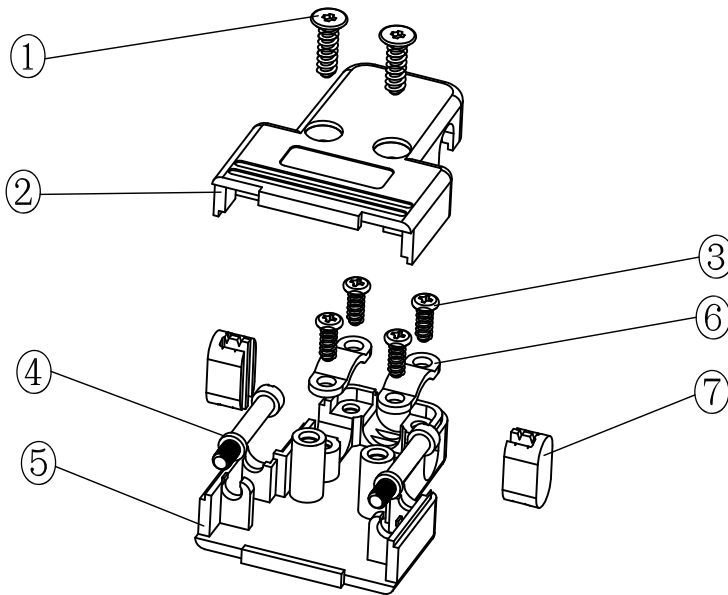
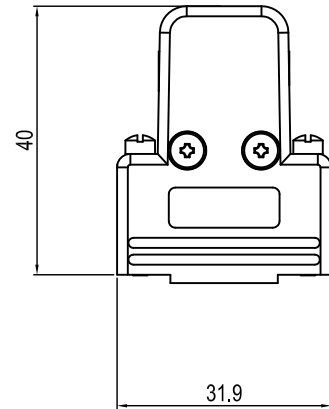
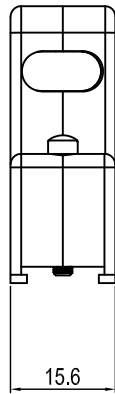


No.	Changes and/or Note No.	Date	Intr	No	Changes and/or Note No.	Date	Intr

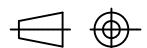


Name:	Description:	Pack:	1	2	GB/T 846 ST2.9x10 self Tapping screw	Screw
6550-0100-01	MHTRI-M-9-K	SINGLE	2	1	Multi Top MHTRI-M-9	Cover
			3	4	GB/T 845 ST2.2x6 self Tapping screw	Screw
6551-0100-01	MHTRI-M-9	BULK	4	2	UNC 4-40X18.1	Jack screw
			5	1	Multi Bottom MHD3-9	Cover
			6	2	Cable Clamp	Cable Clamp
			7	2	Multi Large Blank MHD3-9	Blanking Plug
			Item	QTY	Part Number	Description

DATE: 2008-10-29	DRAWN: YGY	SCALE:	MATERIAL TYPE:
Auditing:	APPROVED:		REPLACES:

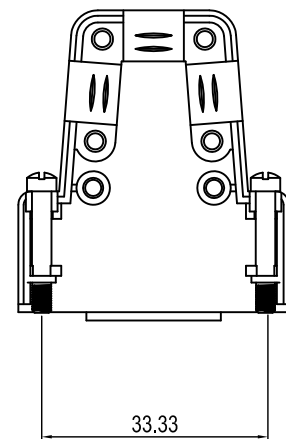
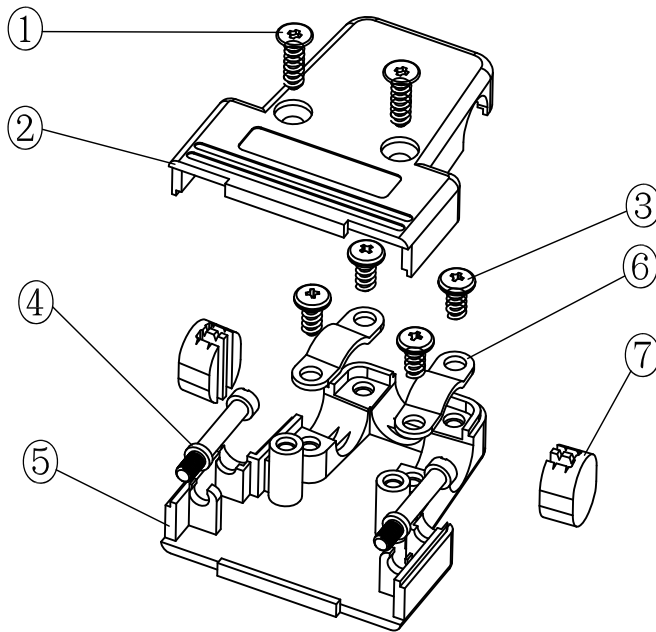
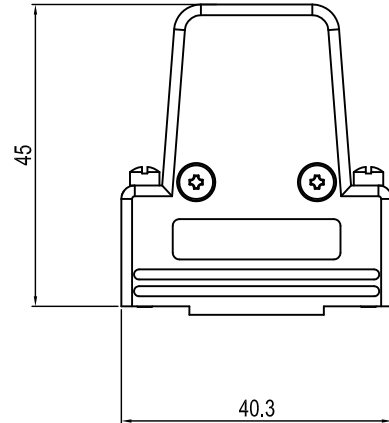
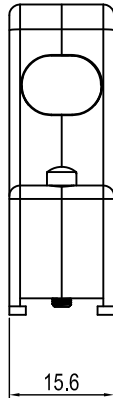


**MHTRI-M-SERIES**



DRAWING No:

No.	Changes and/or Note No.	Date	Intr	No	Changes and/or Note No.	Date	Intr

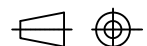


Name:	Description:	Pack:	1	1	GB/T 846 ST2.9x10 self Tapping screw	Screw
6550-0100-02	MHTRI-M-15-K	SINGLE	2	2	Multi Top MHTRI-M-15	Cover
6551-0100-02	MHTRI-M-15	BULK	3	4	GB/T 845 ST2.2x6 self Tapping screw	Screw
			4	2	UNC 4-40X18.1	Jack screw
			5	1	Multi Bottom MHD3-15	Cover
			6	2	Cable Clamp	Cable Clamp
			7	2	Multi Large Blank MHD3-9	Blanking Plug
			Item	QTY	Part Number	Description

DATE: 2008-10-29	DRAWN: YGY	SCALE:	MATERIAL TYPE:
Auditing:	APPROVED:		REPLACES:

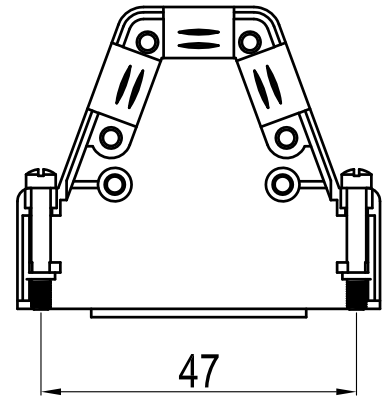
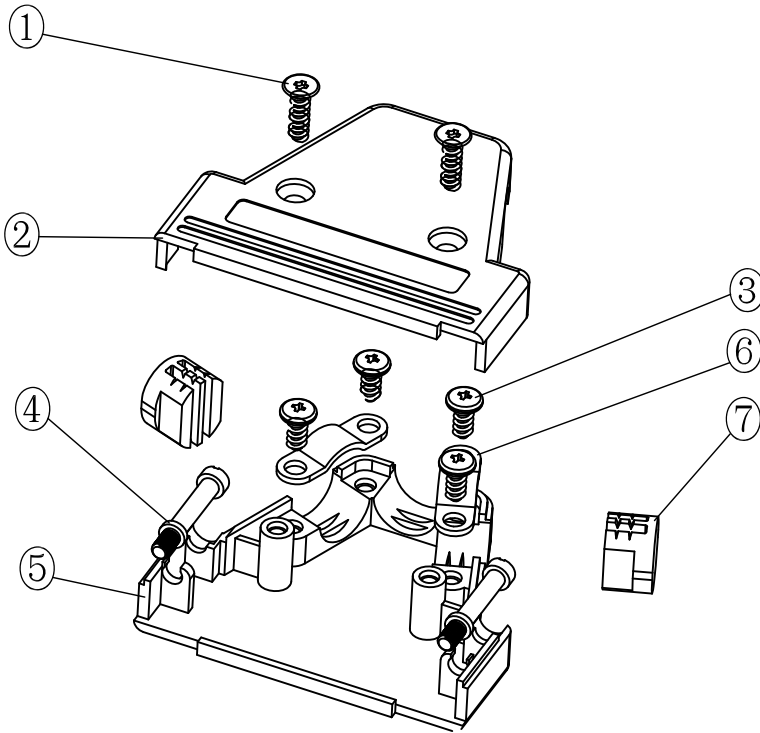
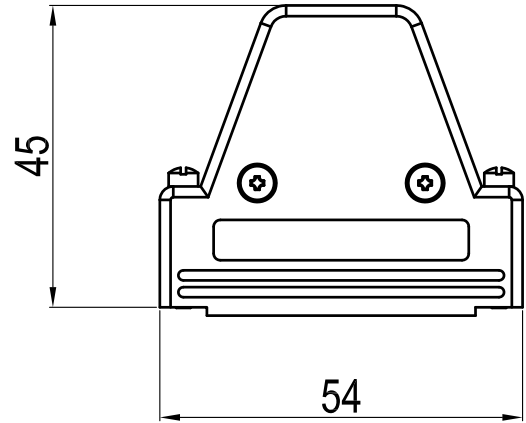
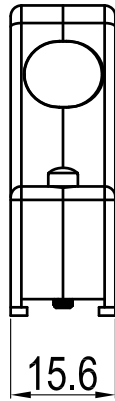



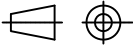
MHTRI-M-SERIES



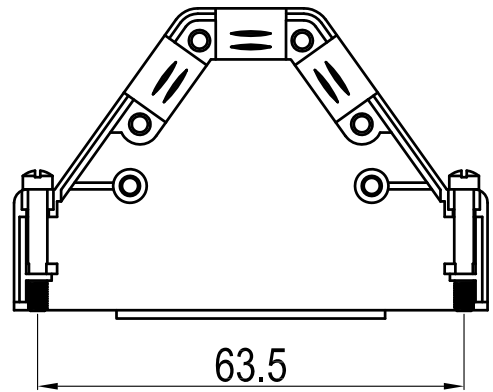
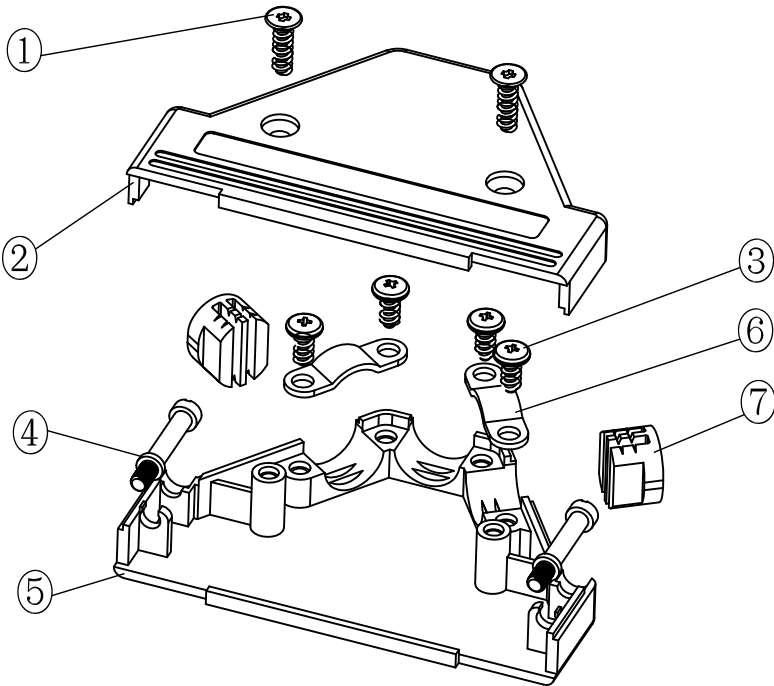
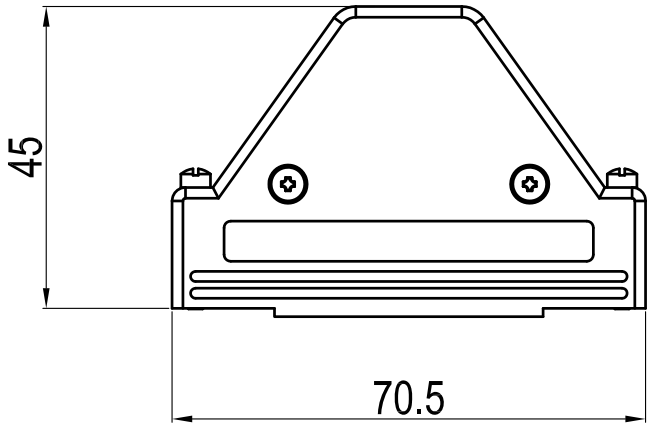
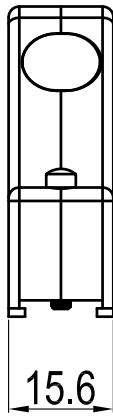
DRAWING No:

No.	Changes and/or Note	Date	Intr	No	Changes end/or Note No.	Date	Intr



Name:	Description:	Pack:	1	2	GB/T 846 ST2.9x10 self Tapping screw	Screw
			2	1	Multi Top MHDTRI-M-25	Cover
6550-0100-03	MHTRI-M-25-K	SINGLE	3	4	GB/T 845 ST2.9x6 self Tapping screw	Screw
			4	2	UNC 4-40X18.1	Jack screw
6551-0100-03	MHTRI-M-25	BULK	5	1	Multi Bottom MHD3-25	Cover
			6	2	Cable Clamp	Cable Clamp
			7	2	Multi Large Blank MHD3-9	Blanking Plug
			Item	QTY	Part Number	Description
DATE: 2008-10-28	DRAWN: YGY	SCALE:	MATERIAL TYPE:			
Auditing:	APPROVED:		REPLACES:			
	<h1>MHTRI-M-SERIES</h1>					
			DRAWING No:			

No.	Changes and/or Note No.	Date	Intr	No	Changes and/or Note No.	Date	Intr

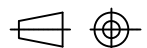


Name:	Description:	Pack:	1	2	GB/T 846 ST2.9x10 self Tapping screw	Screw
			2	1	Multi Top MHTRI-M-37	Cover
6550-0100-04	MHTRI-M-37-K	SINGLE	3	4	GB/T 845 ST2.9x6 self Tapping screw	Screw
			4	2	UNC 4-40X18.1	Jack screw
6551-0100-04	MHTRI-M-37	BULK	5	1	Multi Bottom MHD3-37	Cover
			6	2	Cable Clamp	Cable Clamp
			7	2	Multi Large Blank MHD3-9	Blanking Plug
			Item	QTY	Part Number	Description

DATE: 2008-10-28	DRAWN: YGY	SCALE:	MATERIAL TYPE:
Auditing:	APPROVED:		REPLACES:



MHTRI-M-SERIES



DRAWING No: