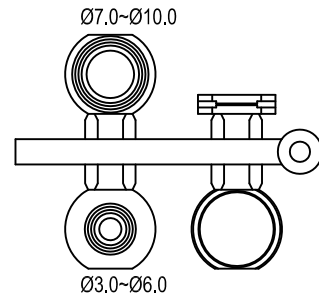
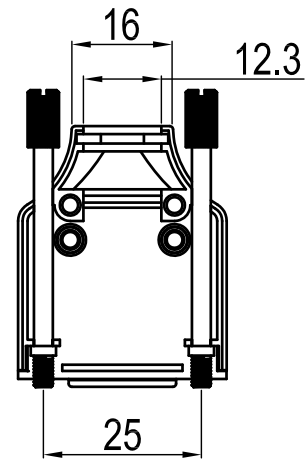
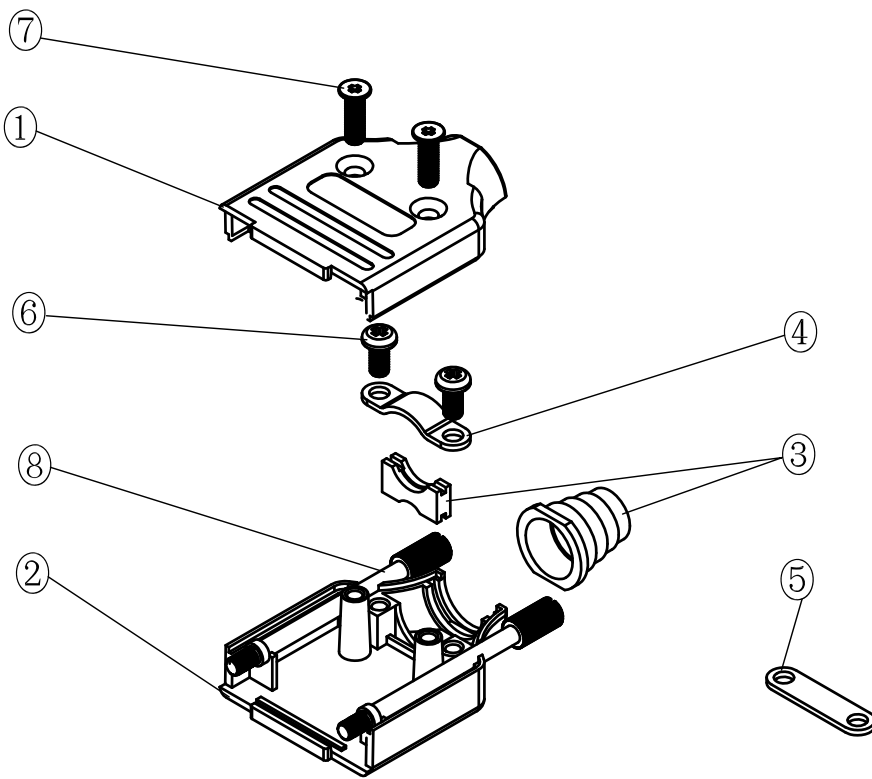
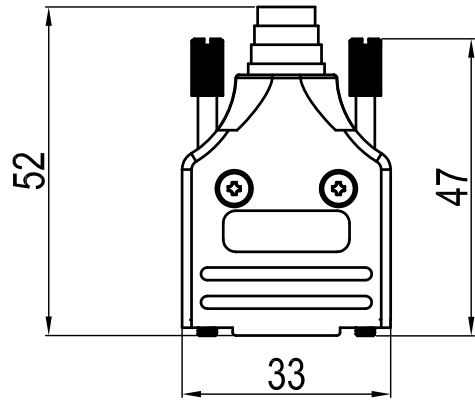
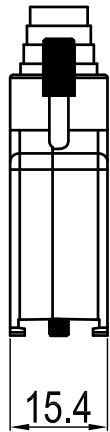


No.	Changes and/or Note No.	Date	Intr	No	Changes and/or Note No.	Date	Intr

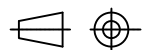


Part Number:	Description:	Pack:	1	1	Top MHEE-09	Cover
6560-0137-01	MHEE-09-K	Kit	2	1	Bottom MHEE-09	Cover
			3	1	MHEE-D1	Grommet
6561-0137-01	MHEE-09	Bulk	4	1	MHDM-CLAMP-R	R-Clamp
			5	1	MHDM-CLAMP-F	F-Clamp
			6	2	M3X6	Screw
7	2	M3X10	Screw			
8	2	UNC 4-40X47.2	Jack screw			
Item	QTY	Part Number	Description			

DATE: 2008-10-29	DRAWN: YGY	SCALE:	MATERIAL TYPE:
Auditing:	APPROVED: MRR		REPLACES:

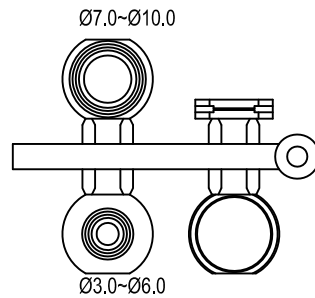
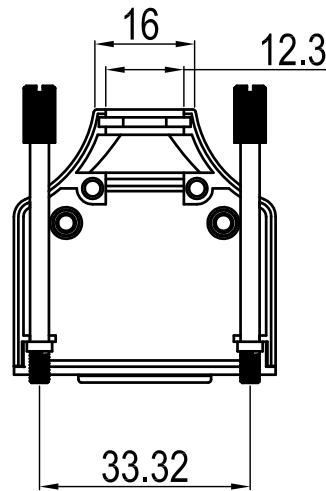
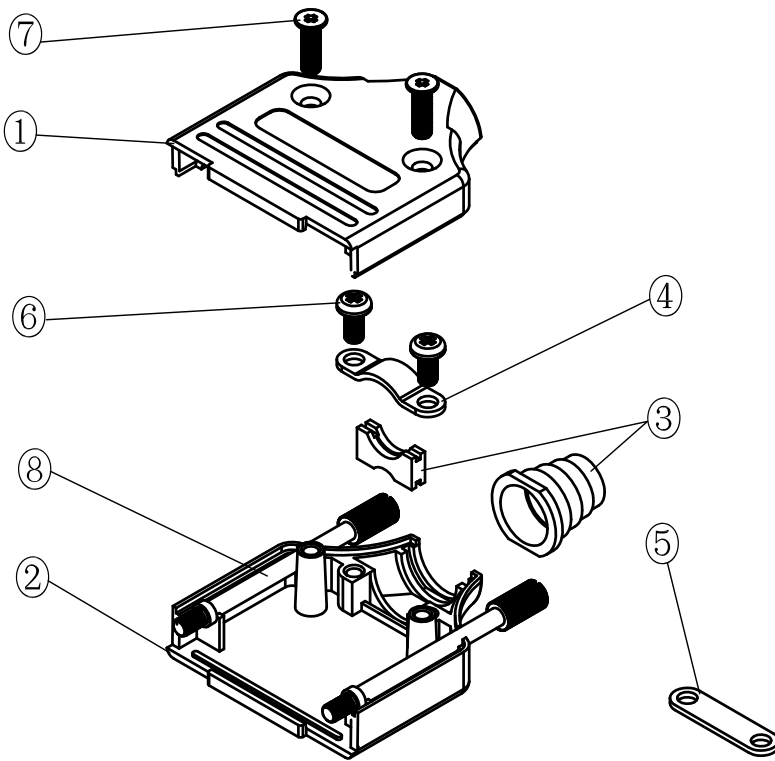
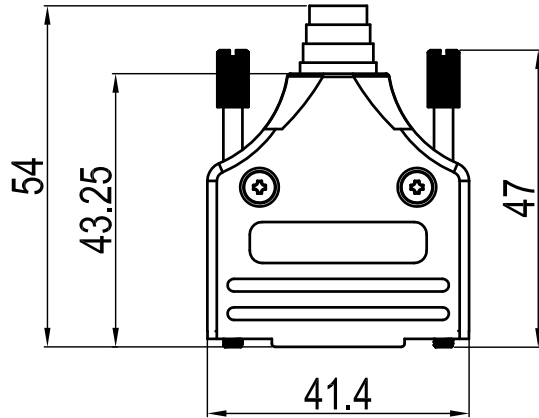
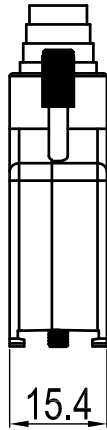


MHULTI HOOD SYSTEM-TOP ENTRY



DRAWING No:

No.	Changes and/or Note No.	Date	Intr	No	Changes and/or Note No.	Date	Intr

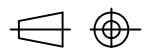


Part Number:	Description:	Pack:	Item	QTY	Part Number	Description
6560-0137-02	MHEE-15-K	Kit	1	1	Top MHEE-15	Cover
			2	1	Bottom MHEE-15	Cover
			3	1	MHEE-D1	Grommet
			4	1	MHDM-CLAMP-R	R-Clamp
			5	1	MHDM-CLAMP-F	F-Clamp
			6	2	M3X6	Screw
			7	2	M3X10	Screw
			8	2	UNC 4-40X47.2	Jack screw
6561-0137-02	MHEE-15	Bulk	Item	QTY	Part Number	Description

DATE: 2008-10-29	DRAWN: YGY	SCALE:	MATERIAL TYPE:
Auditing:	APPROVED: MRR		REPLACES:

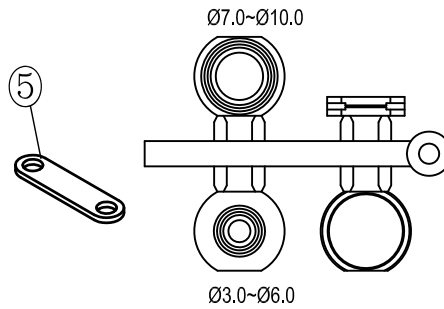
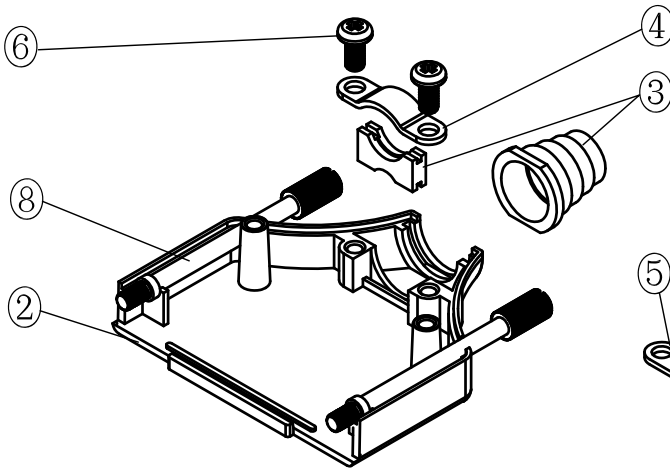
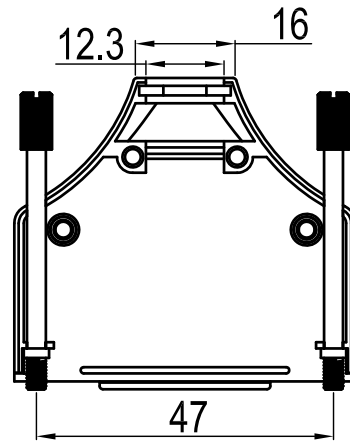
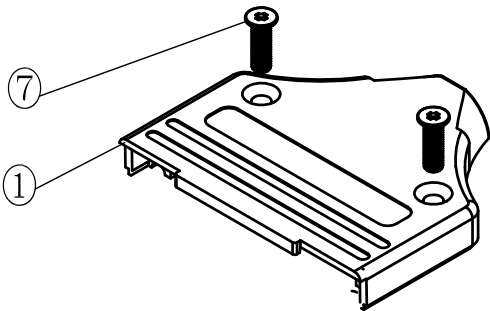
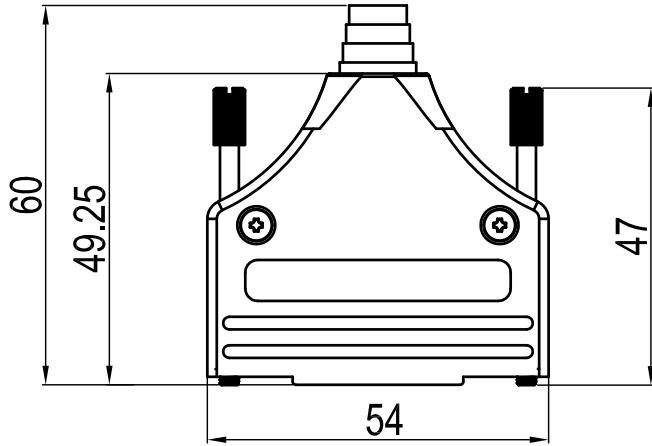
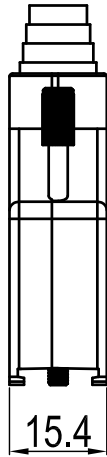


MHULTI HOOD SYSTEM-TOP ENTRY



DRAWING No:

No.	Changes and/or Note No.	Date	Intr	No	Changes and/or Note No.	Date	Intr

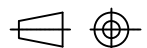


Part Number:	Description:	Pack:	1	1	Top MHEE-25	Cover
6560-0137-03	MHEE-25-K	Kit	2	1	Bottom MHEE-25	Cover
			3	1	MHEE-D1	Grommet
6561-0137-03	MHEE-25	Bulk	4	1	MHDM-CLAMP-R	R-Clamp
			5	1	MHDM-CLAMP-F	F-Clamp
			6	2	M3X6	Screw
7	2	M3X10	Screw			
8	2	UNC 4-40X47.2	Jack screw			
Item	QTY	Part Number	Description			

DATE: 2008-10-29	DRAWN: YGY	SCALE:	MATERIAL TYPE:
Auditing:	APPROVED: MRR		REPLACES:

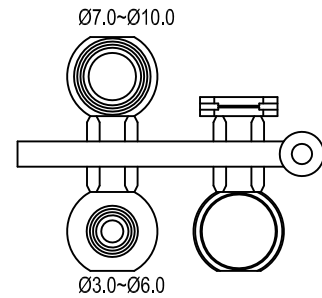
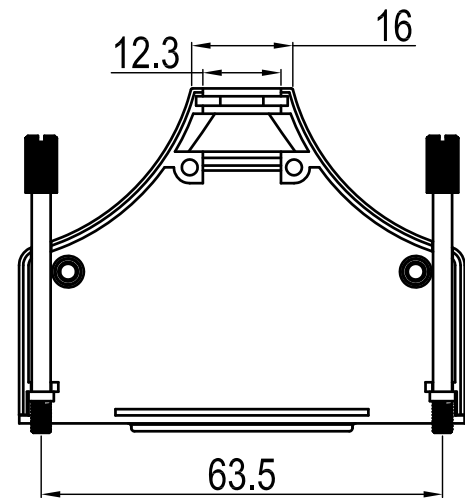
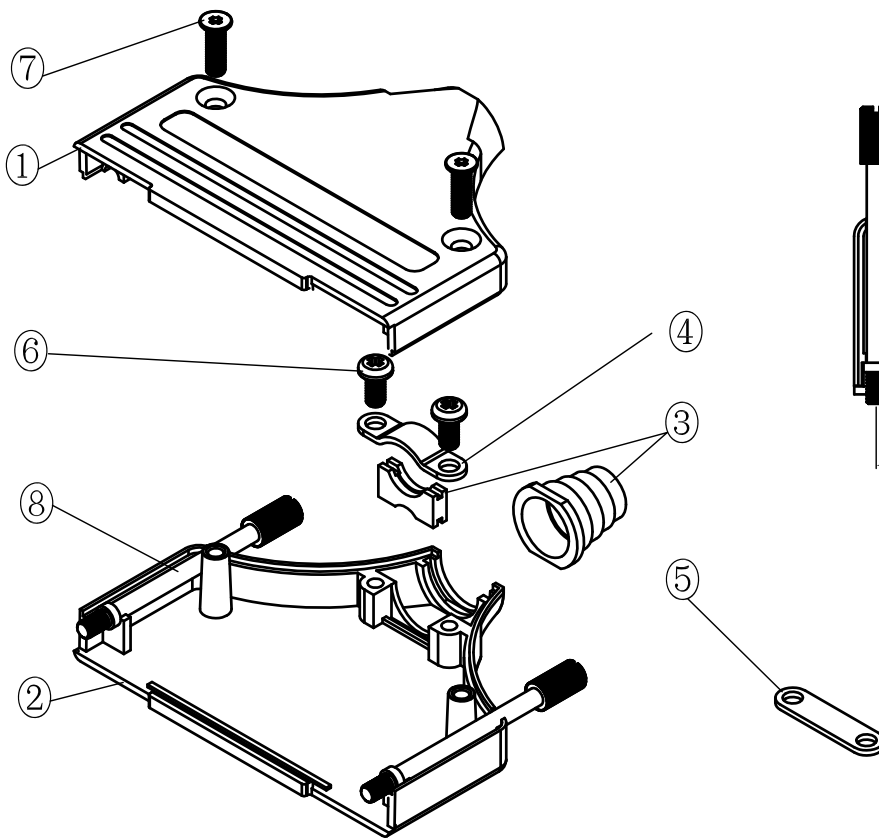
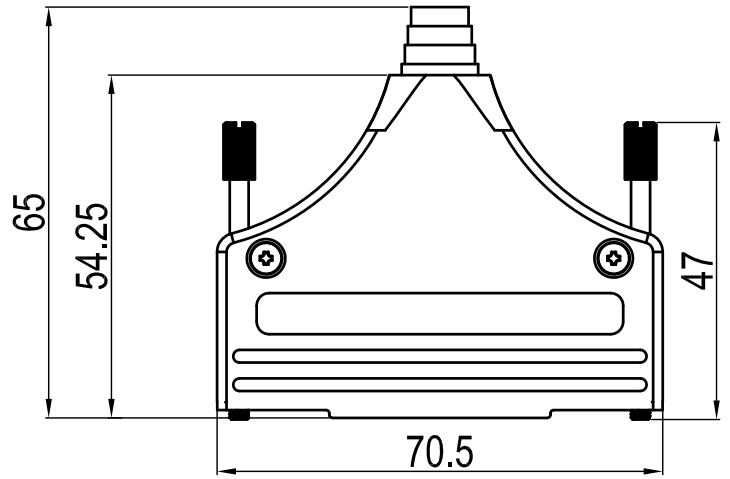
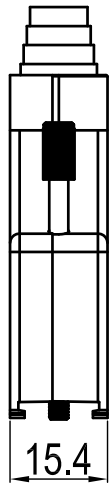


MHULTI HOOD SYSTEM-TOP ENTRY



DRAWING No:

No.	Changes and/or Note No.	Date	Intr	No	Changes and/or Note No.	Date	Intr

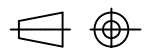


Part Number:	Description:	Pack:	1	1	Top MHEE-37	Cover
			2	1	Bottom MHEE-37	Cover
6560-0137-04	MHEE-37-K	Kit	3	1	MHEE-D1	Grommet
			4	1	MHDM-CLAMP-R	R-Clamp
6561-0137-04	MHEE-37	Bulk	5	1	MHDM-CLAMP-F	F-Clamp
			6	2	M3X6	Screw
			7	2	M3X10	Screw
			8	2	UNC 4-40X47.2	Jack screw
			Item	QTY	Part Number	Description

DATE: 2008-10-29	DRAWN: YGY	SCALE:	MATERIAL TYPE:
Auditing:	APPROVED: MRR		REPLACES:



MHULTI HOOD SYSTEM-TOP ENTRY



DRAWING No: