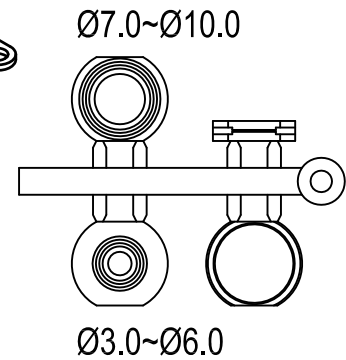
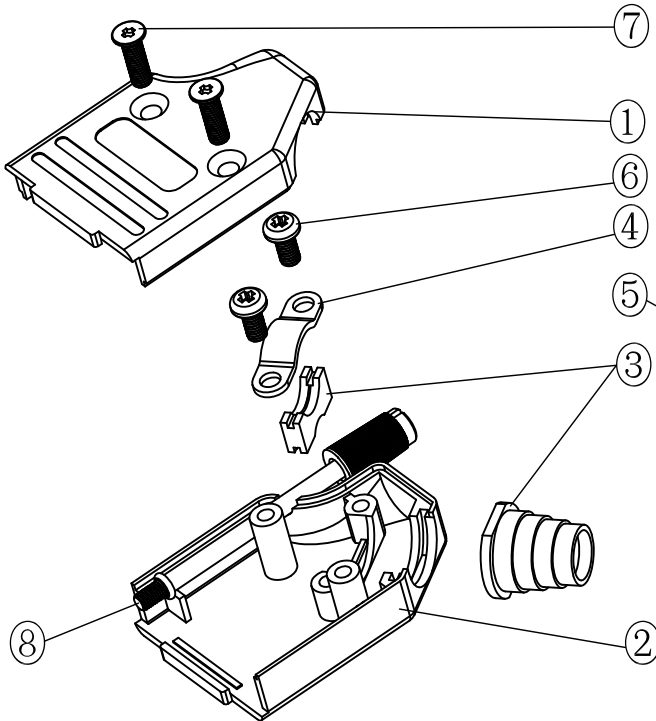
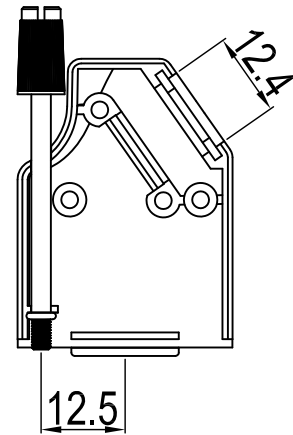
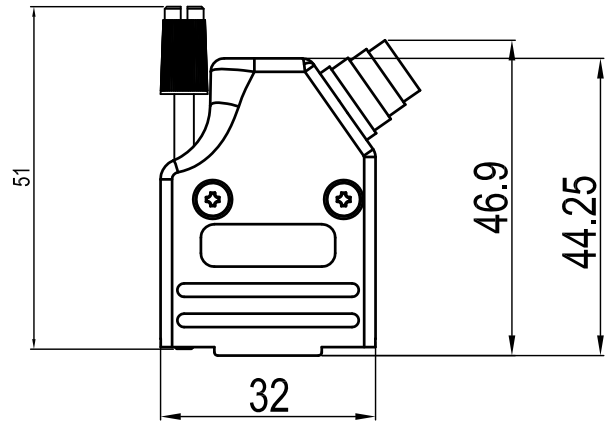
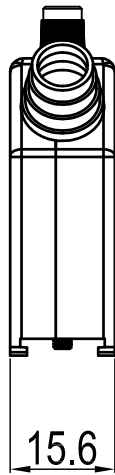


No.	Changes and/or Note No.	Date	Intr	No	Changes and/or Note No.	Date	Intr

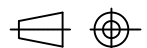


Part Number:	Description:	Pack:	1	1	Top MHEE35-09	Cover
			2	1	Bottom MHEE35-09	Cover
6560-0140-11	MHEE35-09-K	Kit	3	1	MHEE-D1	Grommet
			4	1	MHDM-CLAMP-R	R-Clamp
			5	1	MHDM-CLAMP-F	F-Clamp
6561-0140-11	MHEE35-09	Bulk	6	2	M3X6	Screw
			7	2	M3X10	Screw
			8	1	UNC 4-40x51	P.C Jackscrew
Item	QTY	Part Number	Description			

DATE: 2008-10-29	DRAWN: YGY	SCALE:	MATERIAL TYPE:
Auditing:	APPROVED: MRR		REPLACES:

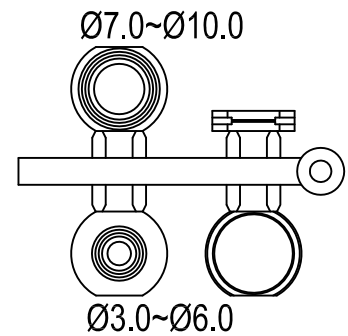
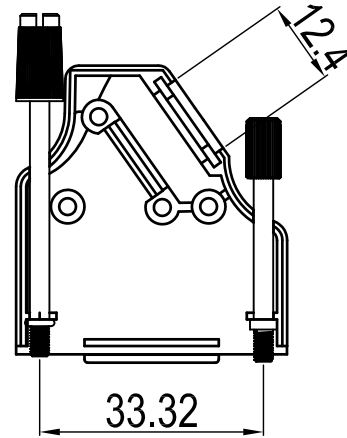
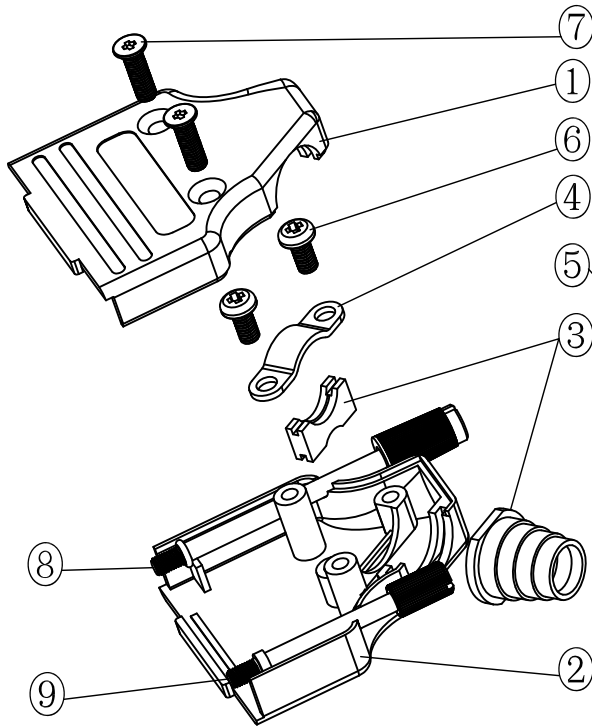
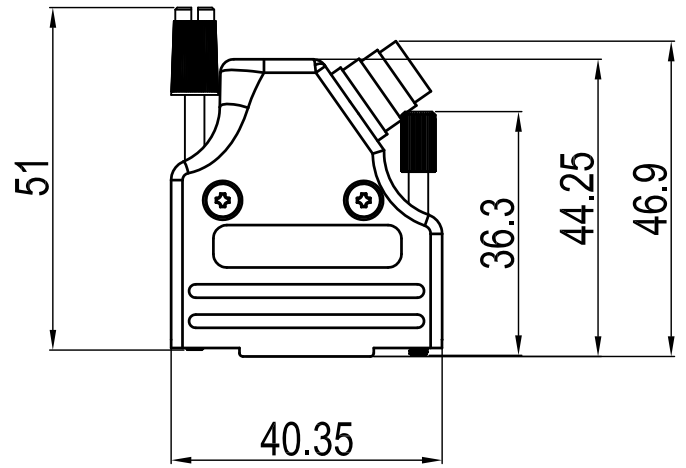
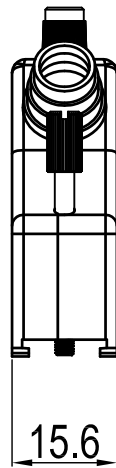


**MHULTI HOOD
SYSTEM-55° ENTRY**



DRAWING No:

No.	Changes and/or Note No.	Date	Intr	No	Changes and/or Note No.	Date	Intr

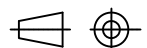


Part Number:	Description:	Pack:	Item	QTY	Part Number	Description
6560-0140-12	MHEE35-15-K	Kit	1	1	Top MHEE35-15	Cover
			2	1	Bottom MHEE35-15	Cover
6561-0140-12	MHEE35-15	Bulk	3	1	MHEE-D1	Grommet
			4	1	MHDM-CLAMP-R	R-Clamp
			5	1	MHDM-CLAMP-F	F-Clamp
			6	2	M3X6	Screw
			7	2	M3X10	Screw
			8	1	UNC 4-40x51	P.C Jackscrew
			9	1	UNC 4-40x36.3	Jackscrew

DATE: 2008-10-29	DRAWN: YGY	SCALE:	MATERIAL TYPE:
Auditing:	APPROVED: MRR		REPLACES:

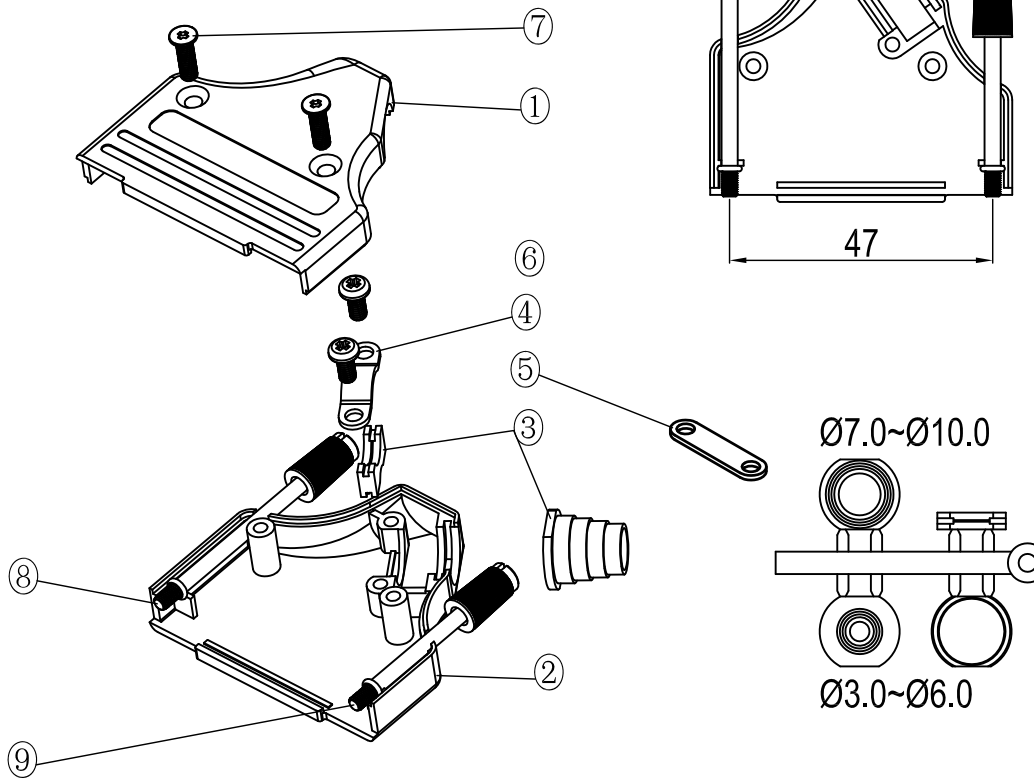
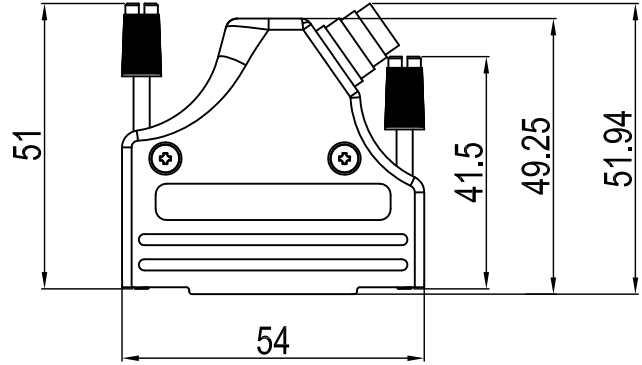
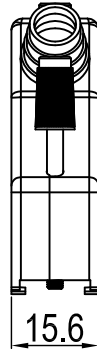


MHULTI HOOD SYSTEM-55° ENTRY



DRAWING No:

No.	Changes and/or Note No.	Date	Intr	No	Changes and/or Note No.	Date	Intr

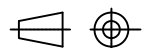


Part Number:	Description:	Pack:	Item	QTY	Part Number	Description
6560-0140-13	MHEE35-25-K	Kit	1	1	Top MHEE35-25	Cover
			2	1	Bottom MHEE35-25	Cover
			3	1	MHEE-D1	Grommet
6561-0140-13	MHEE35-25	Bulk	4	1	MHDM-CLAMP-R	R-Clamp
			5	1	MHDM-CLAMP-F	F-Clamp
			6	2	M3X6	Screw
7	2	M3X10	Screw			
8	1	UNC 4-40x51	P.C Jackscrew			
9	1	UNC 4-40x41.5	P.C Jackscrew			

DATE: 2008-10-29	DRAWN: YGY	SCALE:	MATERIAL TYPE:
Auditing:	APPROVED: MRR		REPLACES:

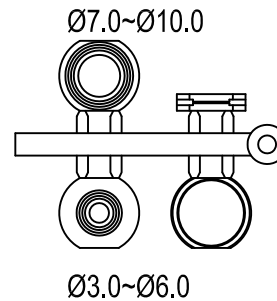
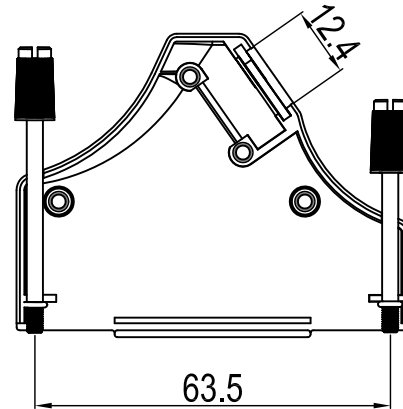
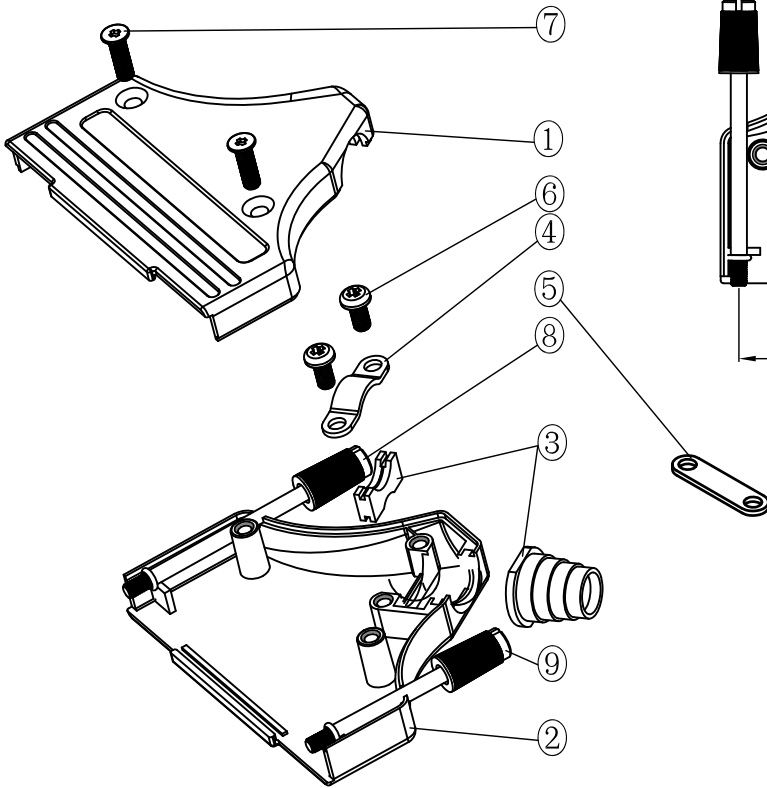
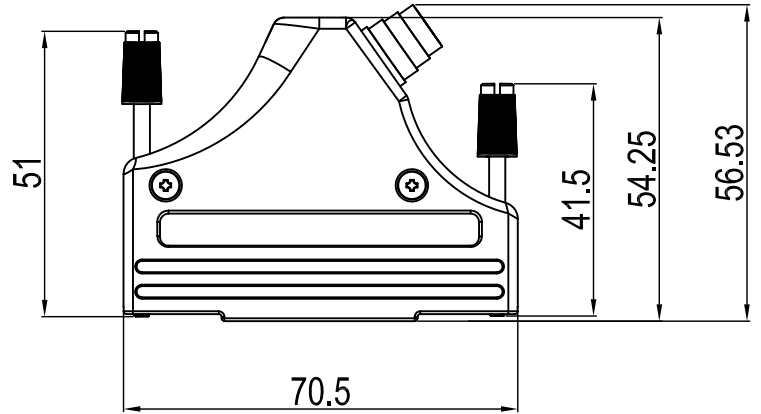
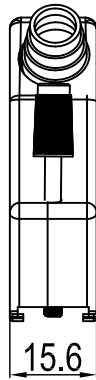


MHULTI HOOD SYSTEM-55° ENTRY



DRAWING No:

No.	Changes and/or Note No.	Date	Intr	No	Changes and/or Note No.	Date	Intr

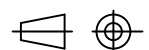


Part Number:	Description:	Pack:	Item	QTY	Part Number	Description
6560-0140-14	MHEE35-37-K	Kit	1	1	Top MHEE35-37	Cover
			2	1	Bottom MHEE35-37	Cover
			3	1	MHEE-D1	Grommet
			4	1	MHDM-CLAMP-R	R-Clamp
			5	1	MHDM-CLAMP-F	F-Clamp
			6	2	M3X6	Screw
			7	2	M3X10	Screw
			8	1	UNC 4-40x51	P.C Jackscrew
			9	1	UNC 4-40x41.5	P.C Jackscrew
6561-0140-14	MHEE35-37	Bulk	Item	QTY	Part Number	Description

DATE: 2008-10-29	DRAWN: YGY	SCALE:	MATERIAL TYPE:
Auditing:	APPROVED: MRR		REPLACES:



MHULTI HOOD SYSTEM-55° ENTRY



DRAWING No: