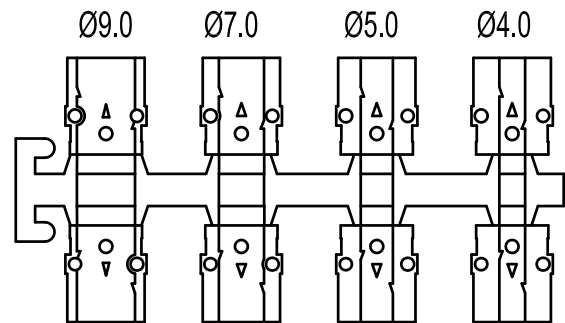
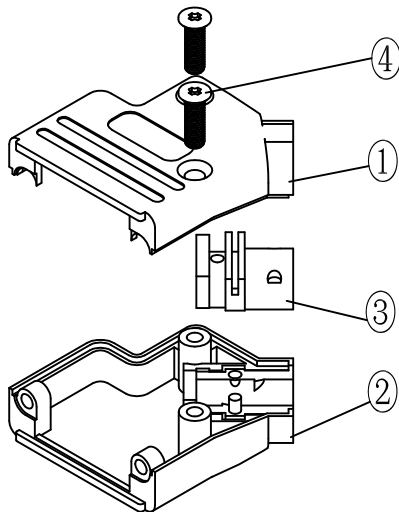
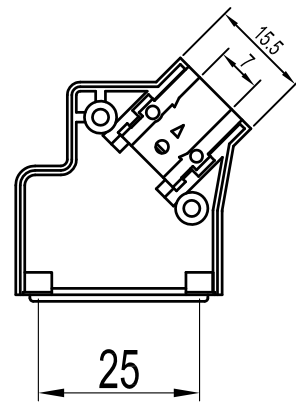
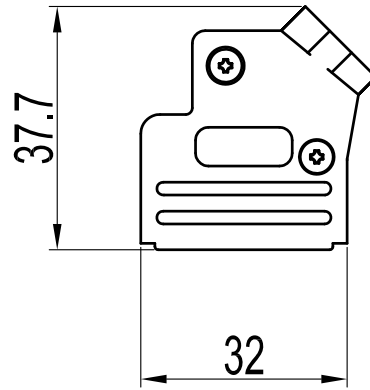
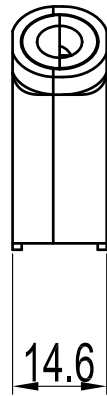


No.	Changes and/or Note NO.	Date	Intr	No	Changes and/or Note NO.	Date	Intr

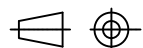


Part Number:	Description:	Pack:	1	1	Top MHDVSL-9	Cover
6560-0206-31	MHDVSL-9-K	Kit	2	1	Bottom MHDVSL-9	Cover
6561-0206-31	MHDVSL-9	Bulk	3	1	D45ZK-D1	Grommet
			4	2	M3X10	Screw
			Item	QTY	Part Number	Description

DATE: 2008-11-12	DRAWN: YGY	SCALE:	MATERIAL TYPE:
Auditing:	APPROVED: MRR	REPLACES:	

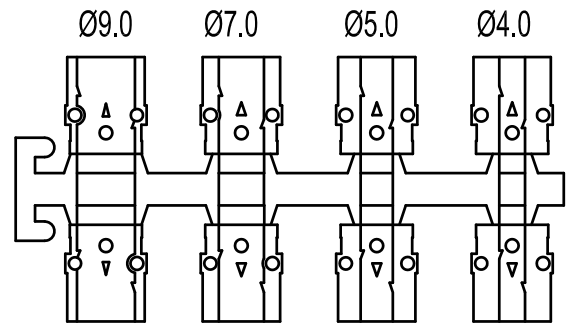
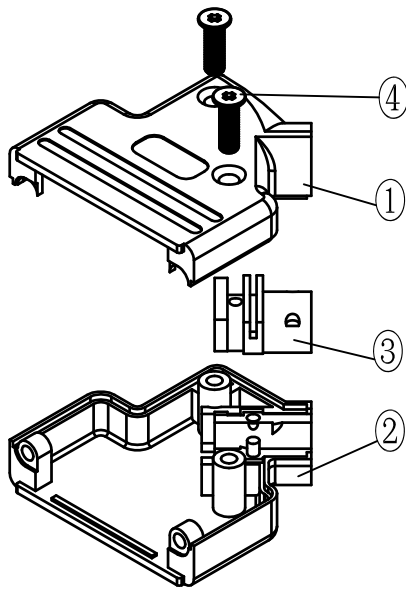
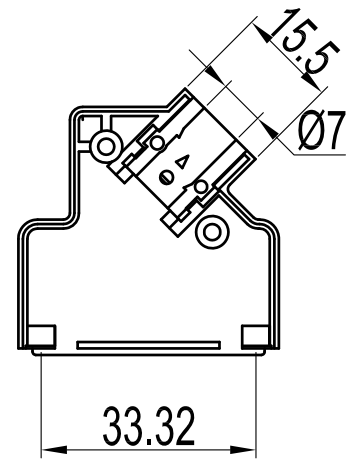
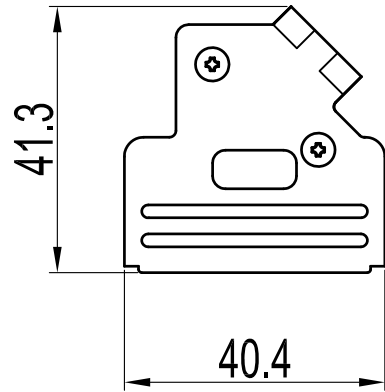
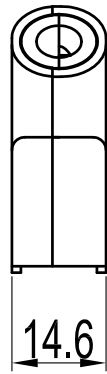


MHDVSL-SERIES



DRAWING No:

No.	Changes and/or Note NO.	Date	Intr	No	Changes and/or Note NO.	Date	Intr

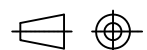


Part Number:	Description:	Pack:	1	1	Top MHDVSL-15	Cover
6560-0206-32	MHDVSL-15-K	Kit	2	1	Bottom MHDVSL-15	Cover
6561-0206-32	MHDVSL-15	Bulk	3	1	D45ZK-D1	Grommet
			4	2	M3X10	Screw
Item	QTY	Part Number	Description			

DATE: 2008-11-12	DRAWN: YGY	SCALE:	MATERIAL TYPE:
Auditing:	APPROVED: MRR		REPLACES:

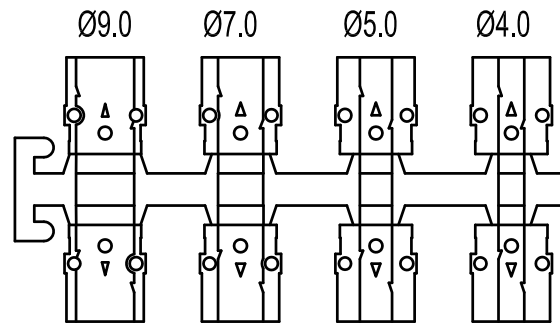
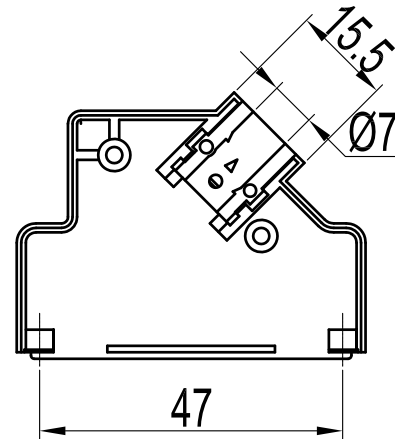
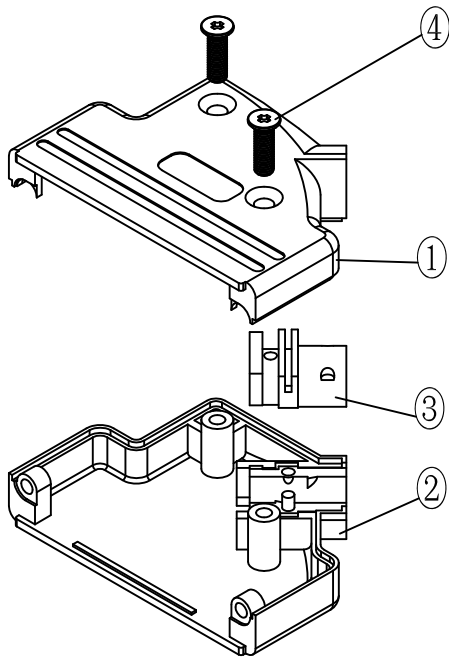
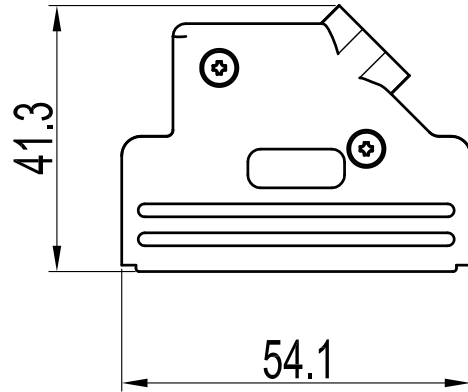
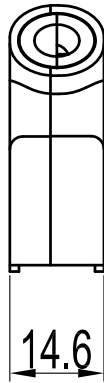


MHDVSL-SERIES



DRAWING No:

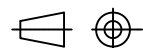
No.	Changes and/or Note NO.	Date	Intr	No	Changes and/or Note NO.	Date	Intr



Part Number:	Description:	Pack:	1	1	Top MHDVSL-25	Cover
			2	1	Bottom MHDVSL-25	Cover
6560-0206-33	MHDVSL-25-K	Kit	3	1	D45ZK-D1	Grommet
			4	2	M3X10	Screw
6561-0206-33	MHDVSL-25	Bulk				
DATE:	DRAWN:	SCALE:	MATERIAL TYPE:			
2008-11-12	YGY					
Auditing:	APPROVED:		REPLACES:			

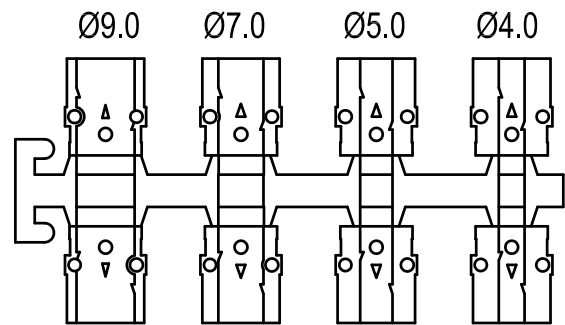
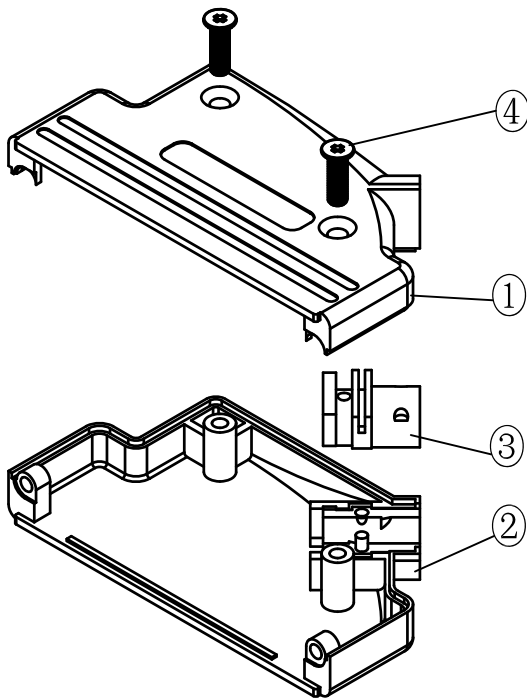
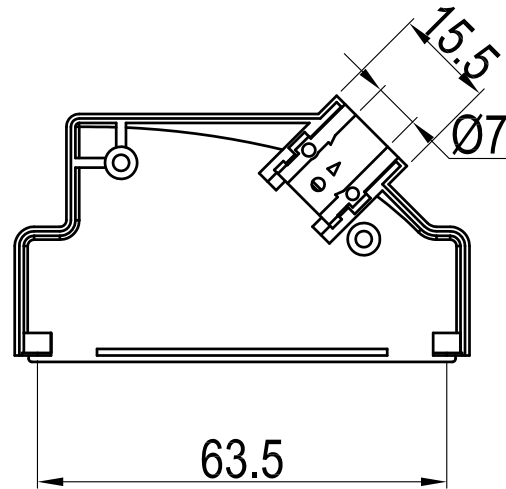
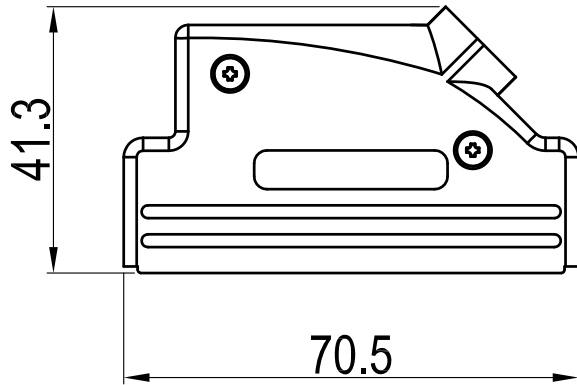
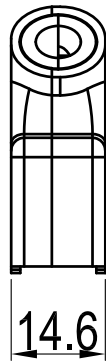


MHDVSL-SERIES



DRAWING No:

No.	Changes and/or Note NO.	Date	Intr	No	Changes and/or Note NO.	Date	Intr



Part Number:	Description:	Pack:	1	1	Top MHDVSL-37	Cover
6560-0206-34	MHDVSL-37-K	Kit	2	1	Bottom MHDVSL-37	Cover
6561-0206-34	MHDVSL-37	Bulk	3	1	D45ZK-D1	Grommet
			4	2	M3X10	Screw
			Item	QTY	Part Number	Description

DATE: 2008-11-12	DRAWN: YGY	SCALE:	MATERIAL TYPE:
Auditing:	APPROVED:		REPLACES:



MHDVSL-SERIES

DRAWING No:

