

Order Code

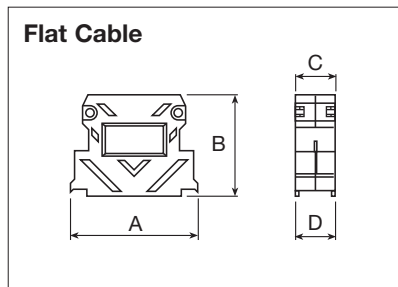
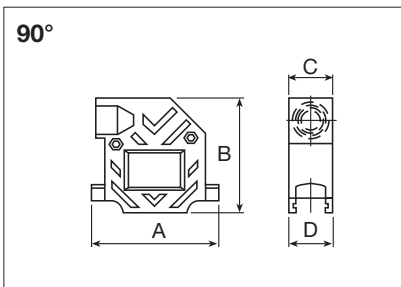
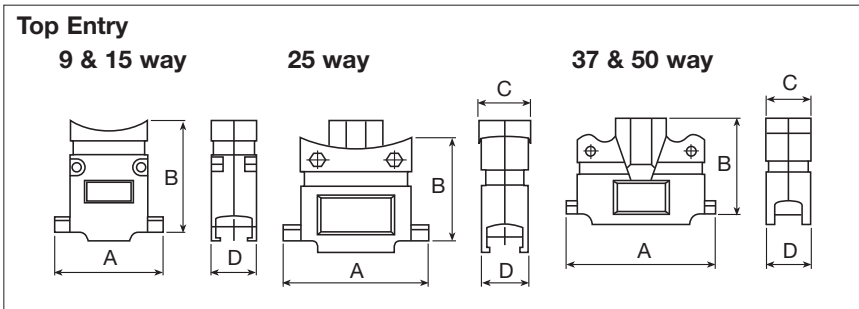
C88000 **204**

Series: _____
 C88000 - Top entry
 C8842 - 90° entry (25 way only)
 C8852 - Flat cable entry (25 way only)

Size: _____
 209 - 9 way, 211 - 15 way
 204 - 25 way, 210 - 37 way
 212 - 50 way, 0000 - 25 way (C8842/C8852 only)

Features:

- Exceeds FCC 20780 Class A and B.
- Die cast zinc shell, zinc plated
- Unique compression insert ensures excellent strain relief and reliable screen termination.
- Thumbscrews are available.
Part Code:- **JLJ-10S** (4-40UNC).
- Company logo's available.



Ways	Dim A	Dim B	Dim C	Dim D
9	31.1	37.2	15.7	15.7
15	39.1	40.6	15.7	15.7
25	53.1	39.1	17.5	15.7
37	66.6	45.7	21.9	18.5
50	66.6	45.7	21.9	18.5
90°	53.1	43.6	18.0	16.3
Flat Cable	55.5	45.7	17.5	17.5