

TECHNICAL SPECIFICATIONS

Material:

Plastic Hood: Polyamid - UL-recognised
 Metal Hood: Steel, Zinc plated

Operating Temperature: -55°C to +110°C

Cable Entry: Top or Side Entry

Cable O.D: Up to 11,5mm

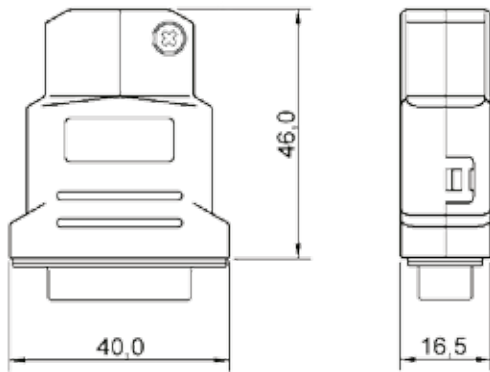
Accessories: See page 186-190

Assembly Instruction: See page 203

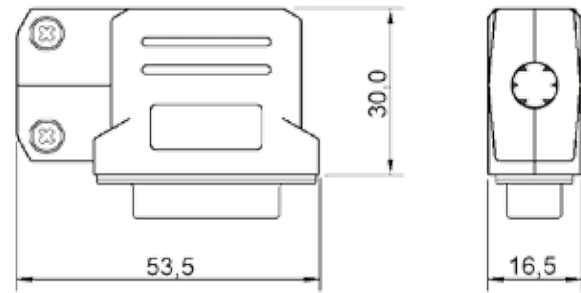


04

DTK TOP - Entry



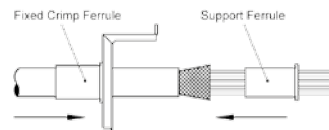
DTK SIDE - Entry



Features:

- Available in size 15, Side or Top Entry
- Suitable for Ethernet applications
- Quick-Snap locking system
- Crimping method ensures a 360° shielding
- For Slide-Lock mounting only
- Full Metal Version available - see page 42

Reversed Crimp



Example: 6260-0135-14
 DTK15-R9,0 + DTPK15-SL

Ordering information:

Size:	P/N - Kitted:	Product Code:
15-way	6260-0135-xx	DTK15-[size] + DTPK15-SL
15-way	6260-0136-xx	DSK15-[size] + DSPK15-SL

Size:	P/N - BULK:	Product Code:
15-way	6261-0135-xx	DTK15-[size] + DTPK15-SL
15-way	6261-0136-xx	DSK15-[size] + DSPK15-SL

Code for correct ferrule:

Cable O.D	Size	Order Code xx	Suits Hood size
4,3–6,9 mm	R7,1	-12	DTK15 / DSK15
5,1–7,8 mm	R8,0	-13	DTK15 / DSK15
6,1–8,8 mm	R9,0	-14	DTK15 / DSK15
8,0–10,3 mm	R10,5	-15	DTK15 / DSK15
9,5–11,5 mm	R11,7	-16	DTK15 / DSK15