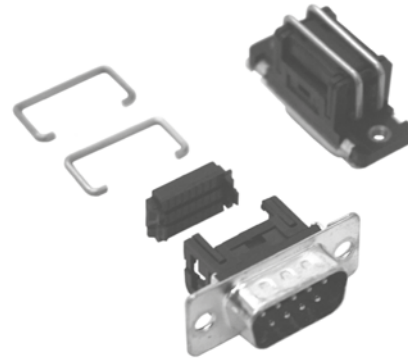


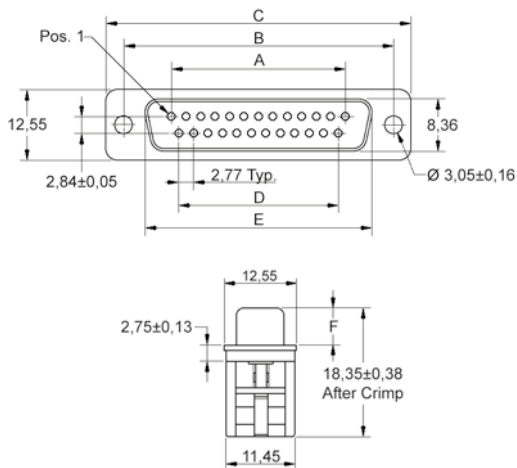
MHDF2-Series – Economy IDC's

Material Specification:

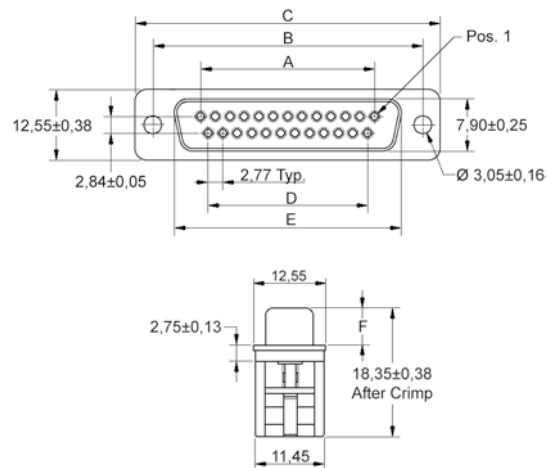
- Insulator: Glass filled Polyester, Black
UL94 V-0
- Shell: Stamped Steel, Tin Plated
- Contacts: Phosphor Bronze,
Stamped & Formed Pins
100 inserts min.
- Contact Plating: Selective Gold over Nickel
- Wire Size: AWG 26 or 28
1,27 mm conductor Centre, Flat Cable



Plug connector



Socket connector



06

| Size | A | B | C | D | (E) Plug / Socket | (F) Plug /Socket |
|------|-------|-------|-------|-------|-------------------|------------------|
| 9 | 11,08 | 24,99 | 30,80 | 8,31 | 16,92 / 16,33 | 5,84 / 6,00 |
| 15 | 19,39 | 33,32 | 39,10 | 16,62 | 25,25 / 24,66 | 5,84 / 6,00 |
| 25 | 33,24 | 47,04 | 53,09 | 30,47 | 38,96 / 38,38 | 5,84 / 6,00 |
| 37 | 49,86 | 63,50 | 69,40 | 47,09 | 55,25 / 54,84 | 5,84 / 6,00 |

Order Codes:

| Plug Connector | | 3.1 mm Thru-Holes |
|----------------|--------------|-------------------|
| 09 | 2104-0201-31 | MHDF2-09-SP-SM |
| 15 | 2104-0201-32 | MHDF2-15-SP-SM |
| 25 | 2104-0201-33 | MHDF2-25-SP-SM |
| 37 | 2104-0201-34 | MHDF2-37-SP-SM |

| Socket Connector | | 3.1 mm Thru-Holes |
|------------------|--------------|-------------------|
| 09 | 2104-0201-41 | MHDF2-09-SS-SM |
| 15 | 2104-0201-42 | MHDF2-15-SS-SM |
| 25 | 2104-0201-43 | MHDF2-25-SS-SM |
| 37 | 2104-0201-44 | MHDF2-37-SS-SM |

| Plug Connector | | Clinch Nuts |
|----------------|--------------|----------------|
| 09 | 2104-0201-01 | MHDF2-09-SP-TM |
| 15 | 2104-0201-02 | MHDF2-15-SP-TM |
| 25 | 2104-0201-03 | MHDF2-25-SP-TM |
| 37 | 2104-0201-04 | MHDF2-37-SP-TM |

| Socket Connector | | Clinch Nuts |
|------------------|--------------|----------------|
| 09 | 2104-0201-11 | MHDF2-09-SS-TM |
| 15 | 2104-0201-12 | MHDF2-15-SS-TM |
| 25 | 2104-0201-13 | MHDF2-25-SS-TM |
| 37 | 2104-0201-14 | MHDF2-37-SS-TM |