

## TECHNICAL SPECIFICATIONS

**Materials:**

**Unshielded Hood:** Polyamid - UL-recognised

**Operating Temperature:** -55°C to +110°C

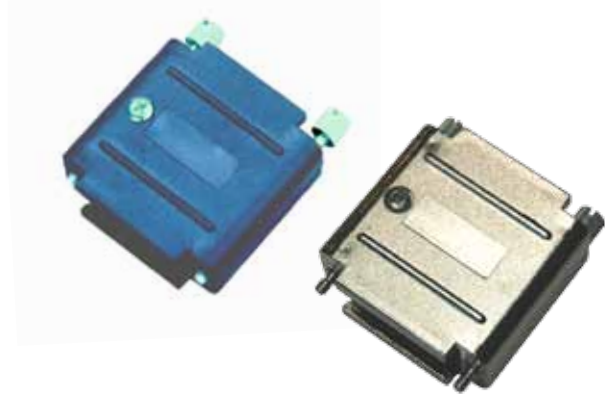
**Thumbscrews:** UNC 4-40 (Standard)

**Shielded Hood:** ABS/PC - UL-recognised

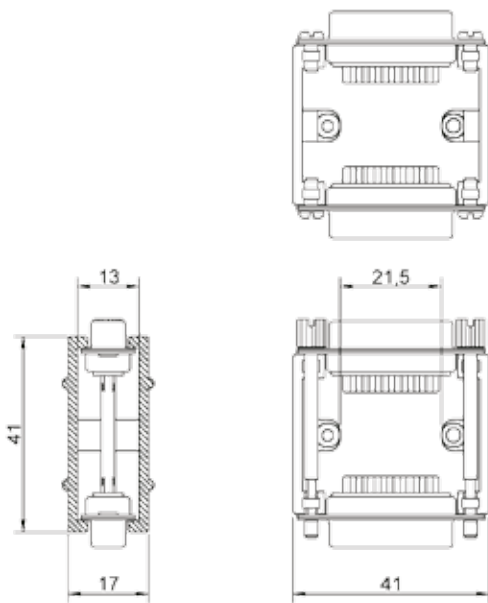
**Plating:** Nickel over Copper

**Operating Temperature:** -55°C to +110°C

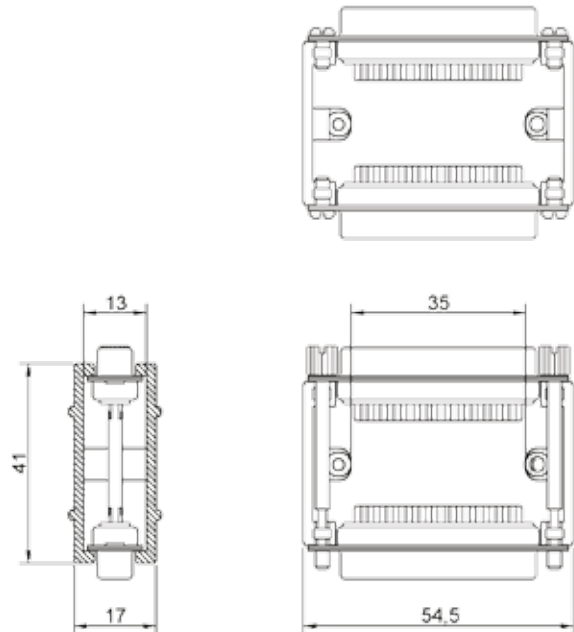
**Thumbscrews:** UNC 4-40 (Standard)



### MHDAPK 15



### MHDAPK 25



**Note:**

All adapters are delivered with 2 long and 4 short screws in standard versions as seen in above drawings and in below ordering information.

If you only need 2pcs Jackscrews - then please contact us.

**Ordering information:**

Unshielded Version

Size:	P/N - Kitted:	Product Code:
15-way	6211-0100-02	MHDAPK15-JS
25-way	6211-0100-03	MHDAPK25-JS

**Ordering information:**

Shielded Version

Size:	P/N - Kitted:	Product Code:
15-way	6211-0100-12	MHDAPK15-JS/MET
25-way	6211-0100-13	MHDAPK25-JS/MET