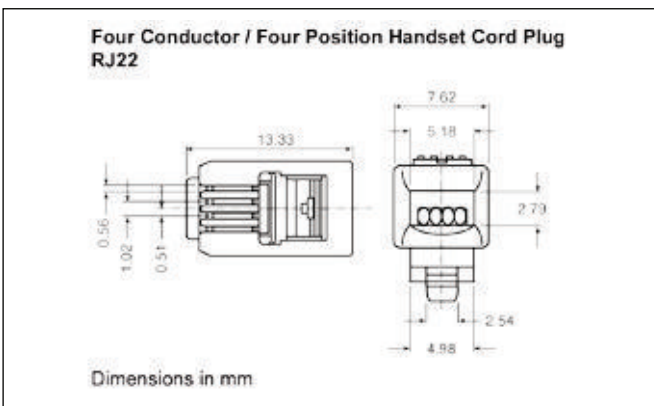
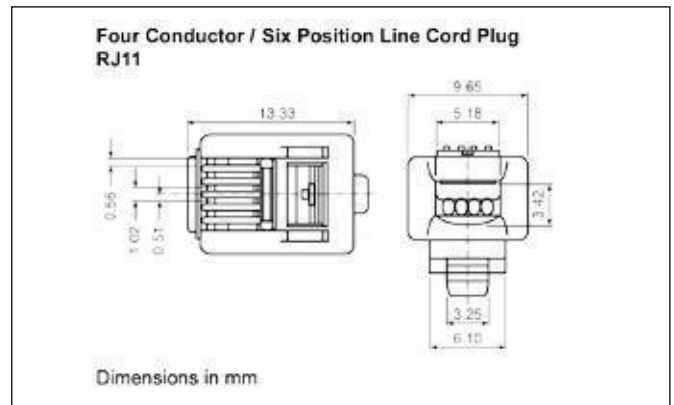
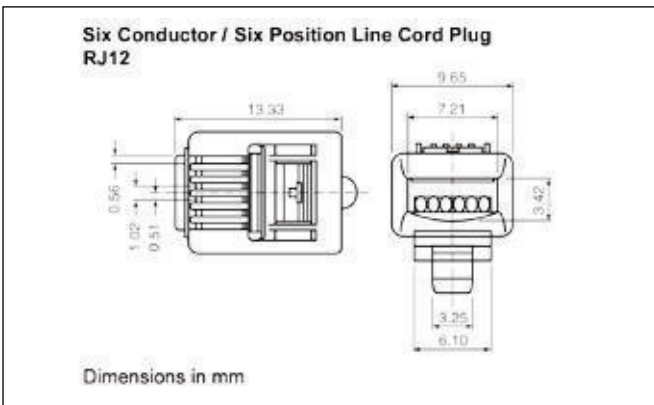
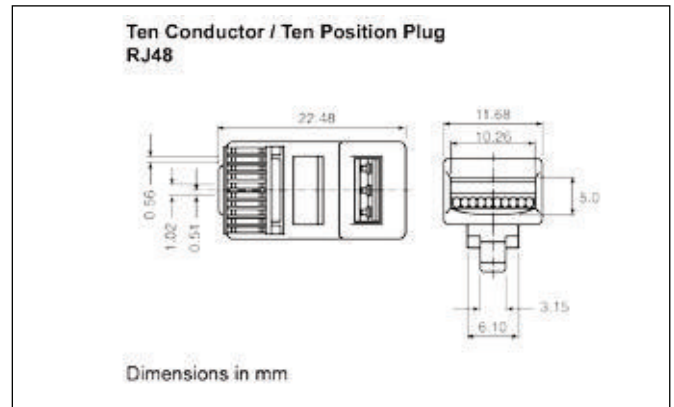
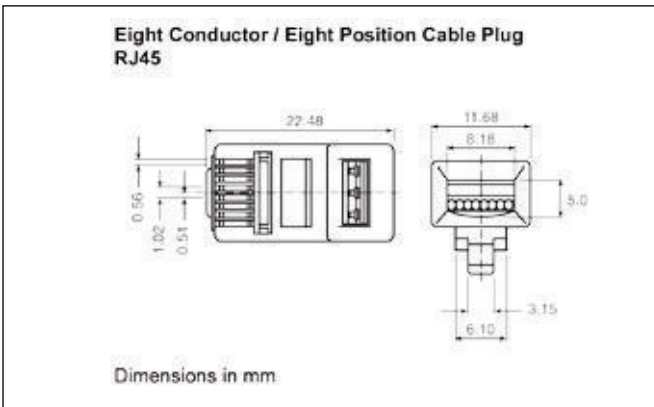


MH - MODULAR SERIES

Features:

- UL94V-0 polycarbonate body
- True knife blade, insulating piercing contacts
- Compatible with standard crimping tools
- Compatible with all FCC specifications
- Flat cable Plug available on request
- 50 μ " gold plated contacts as standard.
Other platings on request. (6, 15 & 30 μ ")



Ordering information:

| Size: | P/N - BULK: | Product Code: |
|--------|--------------|----------------|
| 8P8C | 6510-0104-01 | MHRJ45-8P8CR |
| 4P4C | 6510-0104-02 | MHRJ22-4P4CR |
| 6P4C | 6510-0104-03 | MHRJ11-6P4CR |
| 6P6C | 6510-0104-04 | MHRJ12-6P6CR |
| 10P10C | 6510-0104-05 | MHRJ48-10P10CR |