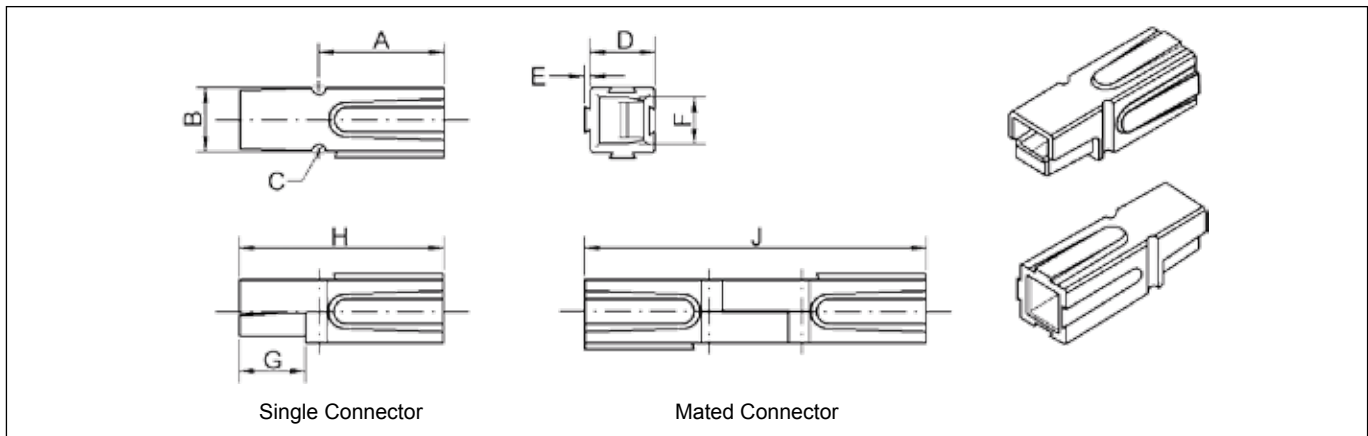


FLAT PIN CONNECTORS

TECHNICAL SPECIFICATIONS

Housing:	Polycarbonate
Contacts:	Copper
Contact Plating:	Silver
Spring:	Stainless Steel
Flammability Rating:	UL94 V-0
Operating Temperature Range:	-20°C to 105°C
Insulation Withstanding Test:	2200 VDC
Vibration Resistance:	Excellent
Mating Cycles:	10.000 (For disconnect use only)



Model:	A	B	C	D	E	F	G	H	J
15/30 A	14,70	8,40	1,30	7,90	0,50	5,00	8,00	24,60	41,20
75 A	29,70	16,30	2,50	16,0	1,00	11,40	14,70	48,0	81,50
120 A	42,90	22,60	2,50	22,30	1,50	15,20	22,30	69,60	117,10
180 A	54,10	28,70	2,50	28,40	1,50	23,10	25,40	82,60	139,70

Order Codes:

15/30A	Colour / Type:	Part No:
Housings:	Blue	1130-0100-01
	Black	1130-0100-02
	White	1130-0100-03
	Red	1130-0100-04
	Green	1130-0100-05
	Grey	1130-0100-06
Contact pins:	10-16 AWG	1130-0110-01
	16-20 AWG	1130-0110-02

75A	Colour / Type:	Part No:
Housings:	Blue	1130-0101-01
	Black	1130-0101-02
	White	1130-0101-03
	Red	1130-0101-04
	Green	1130-0101-05
	Grey	1130-0101-06
Contact pins:	6 AWG	1130-0111-01
	10-12 AWG	1130-0111-02
	8 AWG	1130-0111-03

120A	Colour / Type:	Part No:
Housings:	Blue	1130-0102-01
	Black	1130-0102-02
	White	1130-0102-03
	Red	1130-0102-04
	Green	1130-0102-05
	Grey	1130-0102-06
Contact pins:	2 AWG	1130-0112-01
	4 AWG	1130-0112-02
	6 AWG	1130-0112-03

180A	Colour / Type:	Part No:
Housings:	Blue	1130-0103-01
	Black	1130-0103-02
	White	1130-0103-03
	Red	1130-0103-04
	Green	1130-0103-05
	Grey	1130-0103-06
Contact pins:	1/0 AWG	1130-0113-01
	2 AWG	1130-0113-02
	4 AWG	1130-0113-03
	1 AWG	1130-0113-04