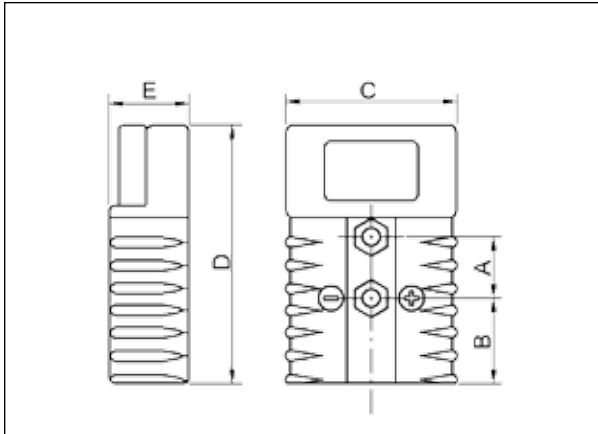
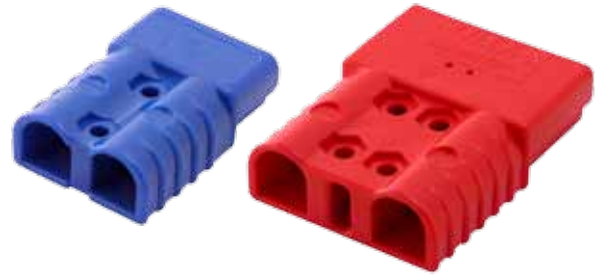


FLAT PIN CONNECTORS

TECHNICAL SPECIFICATIONS

Housing:	Polycarbonate
Contacts:	Copper
Contact Plating:	Silver
Spring:	Stainless Steel
Operating Temperature Range:	-20°C to 105°C



Model:	A	B	C	D	E
S50	19	6,5	36,5	47,5	16
S175	29	11	56	80	25
S350	29	35	70	108	33
U225	28,7	11	54	79,5	25,2

Features:

- Recognized by Underwriters Laboratories
- Listed by Canadian Standard Association
- S50 is offered with 6mm² or 16mm² Contacts
- S175 available with 35mm² contacts on request

Order Codes:

MODEL: S50		
Current: 50 Amp		
Wire Size: 6mm ² / 16mm ²		
Voltage:	Colour:	Part No:
24V / 6mm ²	Red	1130-0201-01
24V / 16mm ²	Red	1130-0201-02
36V / 6mm ²	Grey	1130-0201-03
36V / 16mm ²	Grey	1130-0201-04
80V / 6mm ²	Black	1130-0201-05
80V / 16mm ²	Black	1130-0201-06

MODEL: S350		
Current: 350 Amp		
Wire Size: 70mm ² AWG 2/0		
Voltage:	Colour:	Part No:
12V	Yellow	1130-0221-01
24V	Red	1130-0221-02
36V	Grey	1130-0221-03
48V	Blue	1130-0221-04
72V	Green	1130-0221-05

MODEL: S175		
Current: 175 Amp		
Wire Size: 50mm ² AWG 1/0		
Voltage:	Colour:	Part No:
12V	Yellow	1130-0211-01
18V	Orange	1130-0211-02
24V	Red	1130-0211-03
36V	Grey	1130-0211-04
48V	Blue	1130-0211-05
80V	Black	1130-0211-06

MODEL: U225		
Current: 225 Amp		
Wire Size: 70mm ² AWG 2/0		
Voltage:	Colour:	Part No:
12V	Yellow	1130-0501-01
18V	Orange	1130-0501-02
24V	Red	1130-0501-03
36V	Grey	1130-0501-04
48V	Blue	1130-0501-05