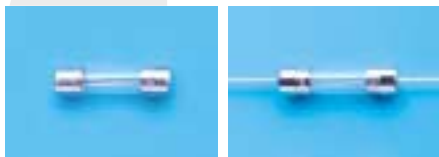


Type 5ET / 5ETP

5 x 20mm Glass Tube
RoHS Compliant

Time-lag Fuse Series (High Surge-proof, Enhanced-breaking Capacity)

5ETDI105



Electrical Characteristics (IEC-127-2 STANDARD SHEET 6)

Rated Current	1.5 In		2.1 In		2.75 In		4 In		10 In	
	MIN	MAX	MIN	MAX	MIN	MAX	MIN	MAX	MIN	MAX
1A to 12A	1	2	600	10	150	3	20	300		
	hr.	min.	ms	sec	ms	sec	ms	ms		

Approvals



Safety Agency Approvals	Amp range / Volt @ I.R. ability
Certificate No. 9710054 Certificate No. 401380	1A - 6.3A / 250V AC @ 150A 8A - 12A / 250V AC @ 150A
Licence No. 40007746 Recognized File No. E20624 Acceptance File No. LR39772 Licence No. 2003010207030342	1A - 6.3A / 250V AC @ 150A

RoHS Compliant Product

For RoHS Compliant Version, add suffix "R" after catalog number

Operating Temperature

-55°C to +125°C

Physical Specification

Materials

Glass body / Nickel Plated Brass Caps

Lead wire:

Tin plated copper alloy,

Diameter 0.032", 6.3A and less

Diameter 0.040", 8A and above

Marking

On fuse:

"bel", "T", "Current Rating", "E", "250V",
"Appropriate Safety Logos", "✓" (RoHS Version)

On label:

"bel", "5ET" or "5ETP", "Current Rating", "Voltage Rating", "Interrupting Rating", "Appropriate Safety Logos" and "R" suffix "R" for RoHS Version

Catalog Number	RoHS Suffix	Ampere Rating	Typical Cold Resistance (ohm)	Volt-drop @100% In (Volt) max.	Melting I ² T < 10 mSec (A ² Sec)	Melting I ² T @ 10 In (A ² Sec)	Maximum Power Dissipation (W)
5ET (P) 1	-R	1A	0.110	0.14	28	29	0.42
5ET (P) 1.25	-R	1.25A	0.080	0.13	42	43	0.42
5ET (P) 1.6	-R	1.6A	0.059	0.12	62	64	0.51
5ET (P) 2	-R	2A	0.043	0.11	92	95	0.61
5ET (P) 2.5	-R	2.5A	0.031	0.11	137	142	0.74
5ET (P) 3.15	-R	3.15A	0.022	0.10	203	211	0.90
5ET (P) 4	-R	4A	0.016	0.095	300	313	1.08
5ET (P) 5	-R	5A	0.012	0.090	444	465	1.31
5ET (P) 6.3	-R	6.3A	0.009	0.084	658	691	1.58
5ET (P) 8	-R	8A	0.007	0.079	252	277	3.11
5ET (P) 10	-R	10A	0.005	0.075	400	440	3.68
5ET (P) 12	-R	12A	0.003	0.070	635	699	4.36

Consult manufacturer for other ratings

Packaging

1. In bulk:

5ET - 1,000 pcs per box; 5ETP - 500 pcs per box

2. On Axial Tape & Reel:

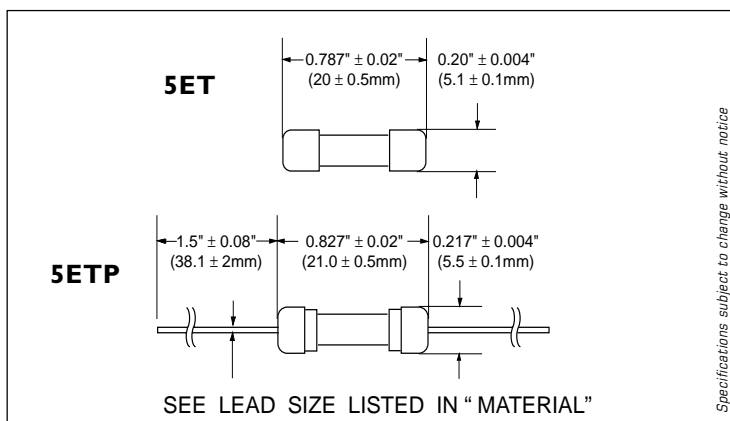
1,500 pcs per reel

3. Tape & Reel specification:

per EIA-296-E & IEC 286-1

@ 10mm Pitch and 63.5mm inside Tape Spacing

Mechanical Dimensions



ORDERING INFORMATION SEE LAST 2 PAGES

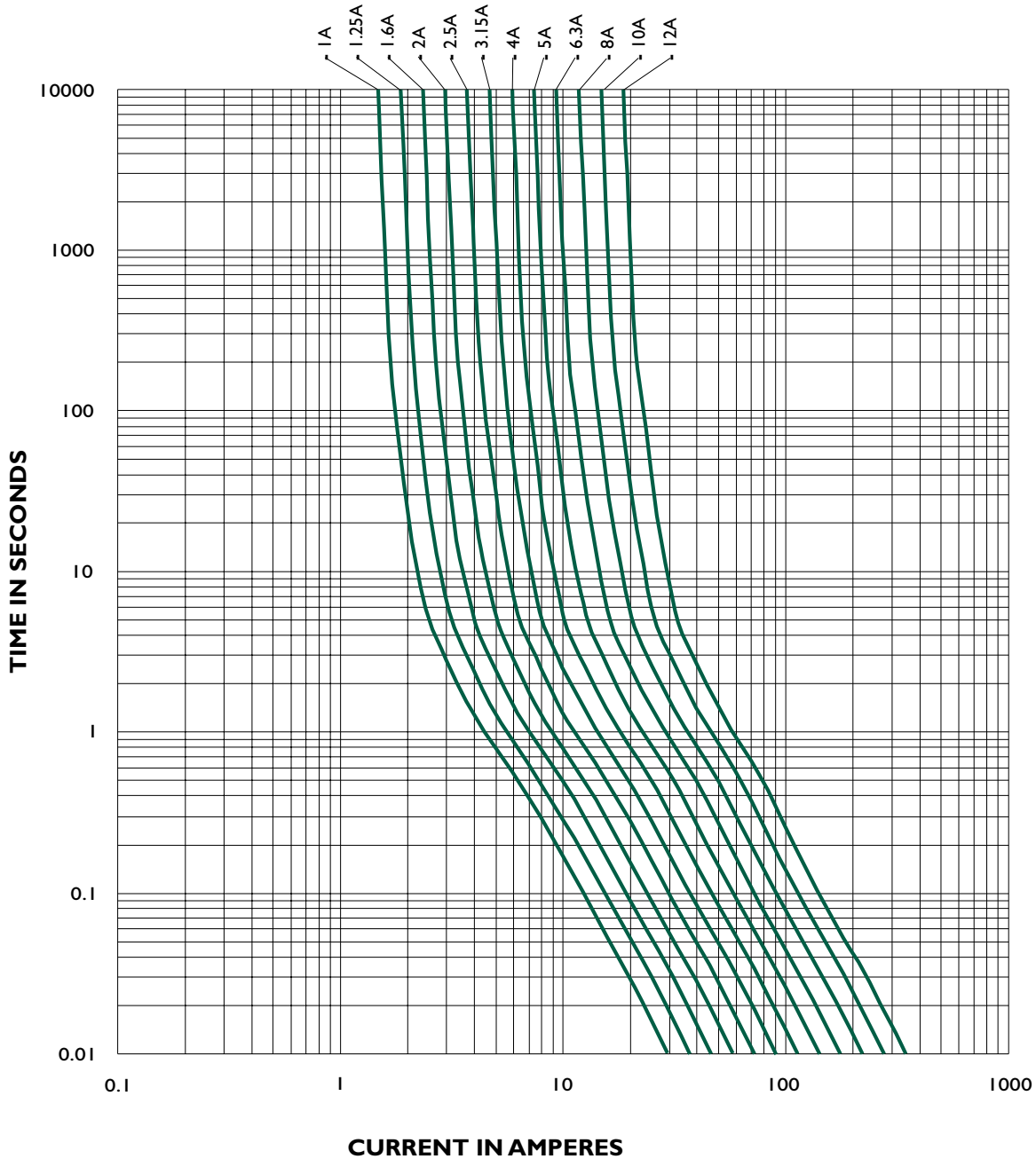
Type 5ET / 5ETP

5 x 20mm Glass Tube
RoHS Compliant

Time-lag Fuse Series (High Surge-proof, Enhanced-breaking Capacity)

5ETC0405

5ET / 5ETP - TIME CURRENT CHARACTERISTIC CURVE



Specifications subject to change without notice

NOTE - see important information under "User Guide" on P.08

Corporate Office

Bel Fuse Inc.
206 Van Vorst Street, Jersey City, NJ 07302
Tel: 201-432-0463
Fax: 201-432-9542
E-Mail: belfuse@belfuse.com
Website: www.belfuse.com

Far East Office

Bel Fuse Ltd.
8F/8 Luk Hop Street
San Po Kong
Kowloon, Hong Kong
Tel: 852-2328-5515
Fax: 852-2352-3706

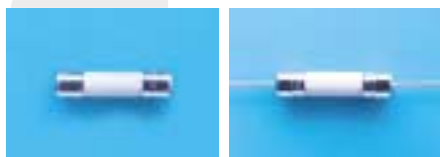
European Office

Bel Fuse Europe Ltd.
Preston Technology Management Centre
Marsh Lane, Preston PR1 8UD
Lancashire, U.K
Tel: 44-1772-556601
Fax: 44-1772-888366

Type 5HF / 5HFP Quick-acting Fuse Series (High-Breaking Capacity)

5 x 20mm Ceramic Tube
RoHS Compliant

5HFD0106



Electrical Characteristics (IEC-127-2 STANDARD SHEET 1)

Rated Current	1.5 In		2.1 In		2.75 In		4 In		10 In
	MIN	MAX	MIN	MAX	MIN	MAX	MIN	MAX	MAX
100mA to 3.15A	1	30	10	2	3	300	20		
4A to 6.3A	1	30	10	3	3	300	20		
8A to 12A	1	30	40	20	10	1	30		
	hr.	min.	ms	sec	ms	ms	ms		

Approvals

Safety Agency Approvals	Amp range / Volt @ I.R.ability
Certificate No. 408891 Certificate No. 401359	1A - 6.3A / 250V AC @ 1,500A 8A - 12A / 250V AC @ 1,500A
Licence No. 40000506 Certificate No. EM233	1A - 6.3A / 250V AC @ 1,500A
Recognized File No. E20624 Acceptance File No. LR39772	100mA - 10A / 250V AC @ 1,500A
File No. JET1037-31003-1004, JET1037-31003-1005	1A - 5A / 250V AC @ 1,500A
Licence No. 2002010207021529	100mA - 10A / 250V AC @ 1,500A

RoHS Compliant Product

For RoHS Compliant Version, add suffix "R" after catalog number

Operating Temperature

-55°C to +125°C

Physical Specification

Materials

Ceramic body / Nickel Plated Brass Caps

Lead wire:

Tin plated copper alloy,
Diameter 0.032", 6.3A and less
Diameter 0.040", 8A and above

Marking

On fuse:

"bel", "F", "Current Rating", "H", "250V",
"Appropriate Safety Logos", "✓" (RoHS Version)

On label:

"bel", "5HF" or "5HFP", "Current Rating",
"Voltage Rating", "Interrupting Rating", "Appropriate
Safety Logos" and + suffix "R" for RoHS Version

Catalog Number	RoHS Suffix	Ampere Rating	Typical Cold Resistance (ohm)	Volt-drop @100% In (Volt) max.	Melting I ² T < 10 mSec (A ² Sec)	Melting I ² T @10 In (A ² Sec)	Maximum Power Dissipation (W)
5HF (P) 100	-R	100mA	3.85	0.56	0.003	0.002	0.30
5HF (P) 125	-R	125mA	2.78	0.54	0.005	0.004	0.36
5HF (P) 160	-R	160mA	2.01	0.52	0.009	0.008	0.43
5HF (P) 200	-R	200mA	1.45	0.50	0.016	0.014	0.52
5HF (P) 250	-R	250mA	1.05	0.48	0.028	0.026	0.63
5HF (P) 315	-R	315mA	0.757	0.46	0.051	0.046	0.76
5HF (P) 400	-R	400mA	0.547	0.44	0.091	0.084	0.92
5HF (P) 500	-R	500mA	0.395	0.43	0.16	0.15	1.11
5HF (P) 630	-R	630mA	0.286	0.41	0.29	0.27	1.35
5HF (P) 800	-R	800mA	0.206	0.20	0.36	0.35	0.58
5HF (P) 1	-R	1A	0.150	0.18	0.65	0.63	0.69
5HF (P) 1.25	-R	1.25A	0.110	0.17	1.17	1.15	0.81
5HF (P) 1.6	-R	1.6A	0.080	0.16	2.10	2.07	0.96
5HF (P) 2	-R	2A	0.058	0.15	3.77	3.75	1.1
5HF (P) 2.5	-R	2.5A	0.043	0.14	6.78	6.78	1.3
5HF (P) 3.15	-R	3.15A	0.031	0.14	12	12	1.6
5HF (P) 4	-R	4A	0.023	0.13	22	22	1.9
5HF (P) 5	-R	5A	0.016	0.12	39	40	2.2
5HF (P) 6.3	-R	6.3A	0.012	0.11	70	73	2.7
5HF (P) 8	-R	8A	0.009	0.11	126	131	3.1
5HF (P) 10	-R	10A	0.006	0.10	227	238	3.7
5HF (P) 12	-R	12A	0.005	0.094	408	430	4.4

Consult manufacturer for other ratings

Packaging

1. In bulk:

5HF - 1,000 pcs per box; 5HFP - 500 pcs per box

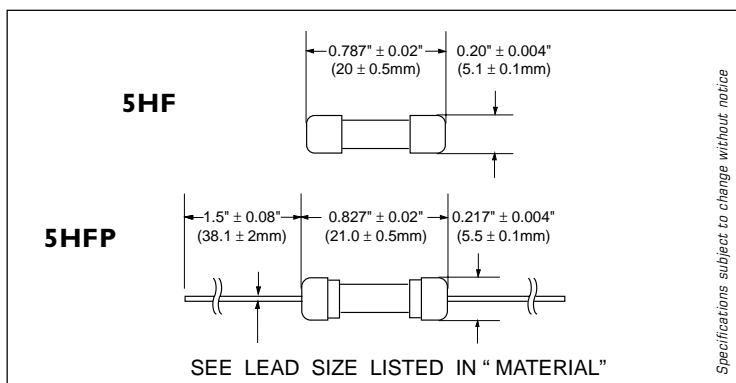
2. On Axial Tape & Reel:

1,500 pcs per reel

3. Tape & Reel specification:

per EIA-296-E & IEC 286-1 @ 10mm Pitch and 63.5mm inside Tape Spacing

Mechanical Dimensions



ORDERING INFORMATION SEE LAST 2 PAGES

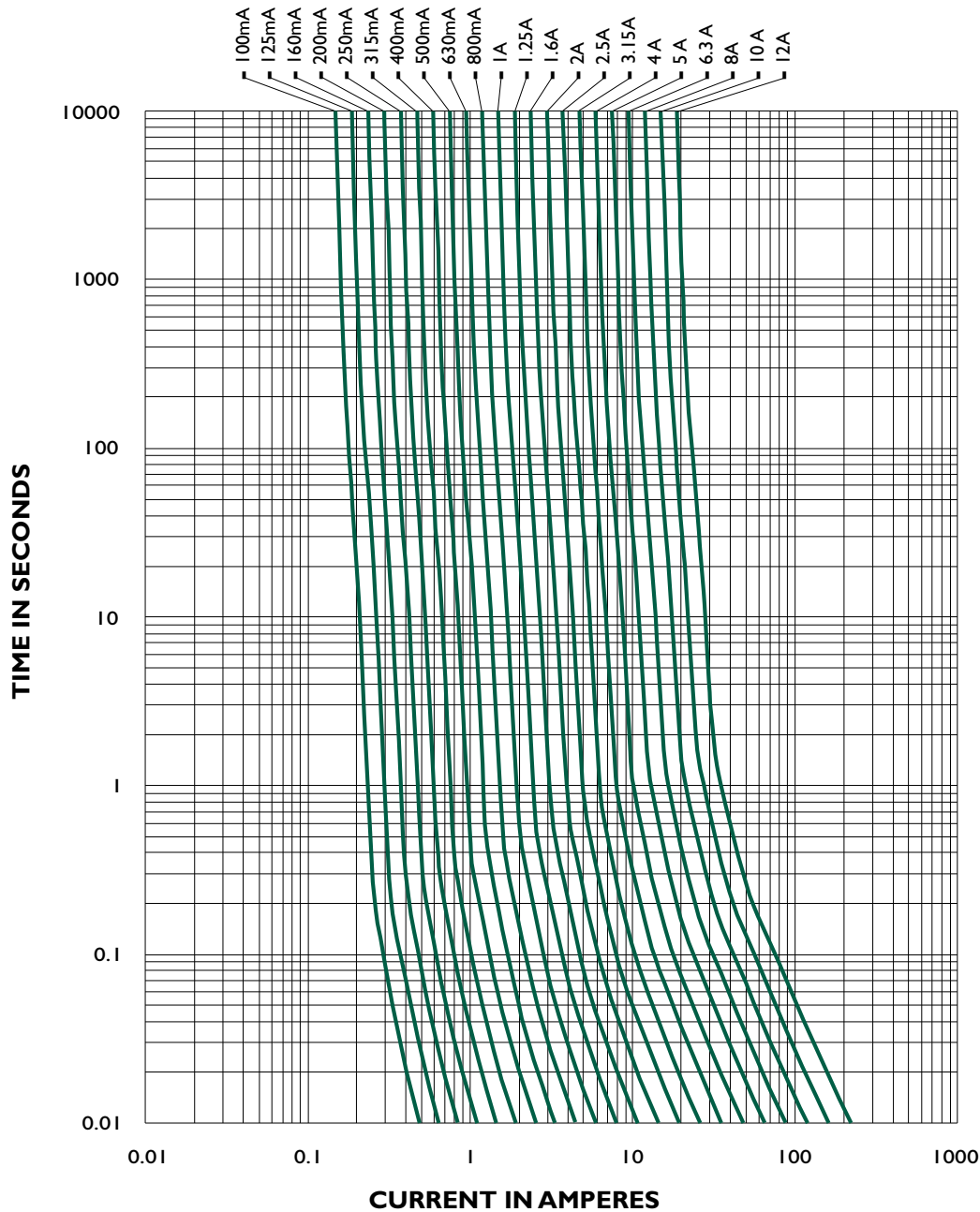
Type 5HF / 5HFP

5 x 20mm Ceramic Tube
RoHS Compliant

Quick-acting Fuse Series (High-Breaking Capacity)

5HFC0405

5HF / 5HFP - TIME CURRENT CHARACTERISTIC CURVE



Specifications subject to change without notice

NOTE - see important information under "User Guide" on P.08

Corporate Office

Bel Fuse Inc.
206 Van Vorst Street, Jersey City, NJ 07302
Tel: 201-432-0463
Fax: 201-432-9542
E-Mail: belfuse@belfuse.com
Website: www.belfuse.com

Far East Office

Bel Fuse Ltd.
8F/8 Luk Hop Street
San Po Kong
Kowloon, Hong Kong
Tel: 852-2328-5515
Fax: 852-2352-3706

European Office

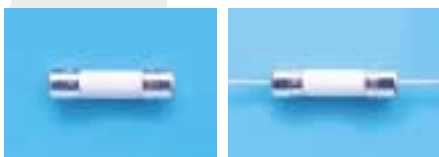
Bel Fuse Europe Ltd.
Preston Technology Management Centre
Marsh Lane, Preston PR1 8UD
Lancashire, U.K
Tel: 44-1772-556601
Fax: 44-1772-888366

Type 5HT / 5HTP

5 x 20mm Ceramic Tube
RoHS Compliant

Time-lag Fuse Series (High - Breaking Capacity)

5HTD1105



Electrical Characteristics (IEC-127-2 STANDARD SHEET 5)

Rated Current	1.5 In		2.1 In		2.75 In		4 In		10 In	
	MIN	MAX	MIN	MAX	MIN	MAX	MIN	MAX	MIN	MAX
100mA to 3.15A	1	30	1	80	95	5	10	100		
4A and above	1	30	1	80	150	5	20	100		
	hr.	min.	sec	sec	ms	sec	ms	ms		

Approvals

Safety Agency Approvals	Amp range / Volt @ I.R. ability
Certificate No. 408893	1A - 6.3A / 250V AC @ 1,500A
Licence No. 40000505	
Certificate No. EM232	
Recognized File No. E20624 Acceptance File No. LR39772	250mA - 10A / 250V AC @ 1,500A
File No. JET1037-31003-1004, JET1037-31003-1005	1A - 5A / 250V AC @ 1,500A
Licence No. 2002010207021531	250mA - 10A / 250V AC @ 1,500A

RoHS Compliant Product

For RoHS Compliant Version, add suffix "R" after catalog number

Operating Temperature

-55°C to +125°C

Physical Specification

Materials

Ceramic body / Nickel Plated Brass Caps

Lead wire:

Tin plated copper alloy,

Diameter 0.032", 6.3A and less

Diameter 0.040", 8A and above

Marking

On fuse:

"bel", "T", "Current Rating", "H", "250V",

"Appropriate Safety Logos", "✓" (RoHS Version)

On label:

"bel", "5HT", or "5HTP", "Current Rating",

"Voltage Rating", "Interrupting Rating", "Appropriate Safety Logos" and + suffix "R" for RoHS Version

Catalog Number	RoHS Suffix	Ampere Rating	Typical Cold Resistance (ohm)	Volt-drop @100% In (Volt) max.	Melting I ² T < 10 mSec (A ² Sec)	Melting I ² T @10 In (A ² Sec)	Maximum Power Dissipation (W)
5HT (P) 100	-R	100mA	18.00	2.05	0.059	0.06	0.27
5HT (P) 160	-R	160mA	12.10	1.80	0.035	0.04	0.28
5HT (P) 200	-R	200mA	8.00	1.50	0.062	0.08	0.30
5HT (P) 250	-R	250mA	3.40	1.20	0.098	0.12	0.34
5HT (P) 315	-R	315mA	2.20	1.00	0.18	0.22	0.38
5HT (P) 400	-R	400mA	1.40	0.75	0.28	0.34	0.41
5HT (P) 500	-R	500mA	1.00	0.70	0.46	0.58	0.48
5HT (P) 630	-R	630mA	0.60	0.52	0.70	0.90	0.55
5HT (P) 800	-R	800mA	0.40	0.45	1.08	1.50	0.64
5HT (P) 1	-R	1A	0.20	0.25	1.70	1.70	0.73
5HT (P) 1.25	-R	1.25A	0.14	0.22	3.00	3.20	0.81
5HT (P) 1.6	-R	1.6A	0.10	0.20	5.40	5.90	0.91
5HT (P) 2	-R	2A	0.07	0.19	9.70	11	1.00
5HT (P) 2.5	-R	2.5A	0.05	0.17	17	20	1.10
5HT (P) 3.15	-R	3.15A	0.04	0.14	31	38	1.20
5HT (P) 4	-R	4A	0.03	0.10	56	69	1.40
5HT (P) 5	-R	5A	0.02	0.11	101	128	1.50
5HT (P) 6.3	-R	6.3A	0.01	0.074	181	237	1.70
5HT (P) 8	-R	8A	0.009	0.092	330	439	2.70
5HT (P) 10	-R	10A	0.007	0.078	601	812	2.90

Consult manufacturer for other ratings

Packaging

1. In bulk:

5HT - 1,000 pcs per box; **5HTP** - 500 pcs per box

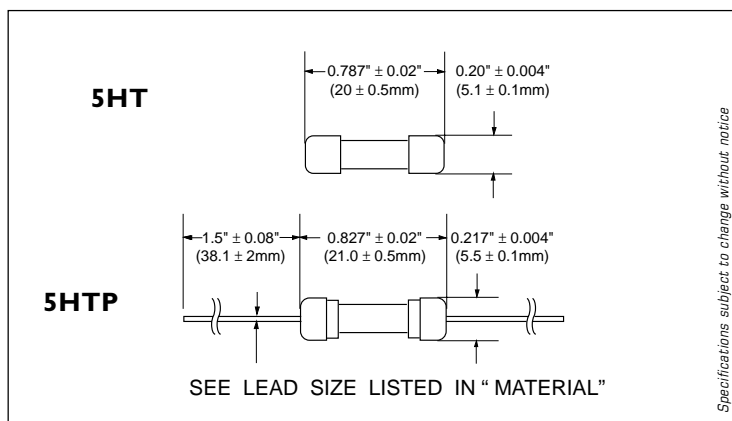
2. On Axial Tape & Reel:

1,500 pcs per reel

3. Tape & Reel specification:

per EIA-296-E & IEC 286-1 @ 10mm Pitch and 63.5mm inside Tape Spacing

Mechanical Dimensions



Specifications subject to change without notice

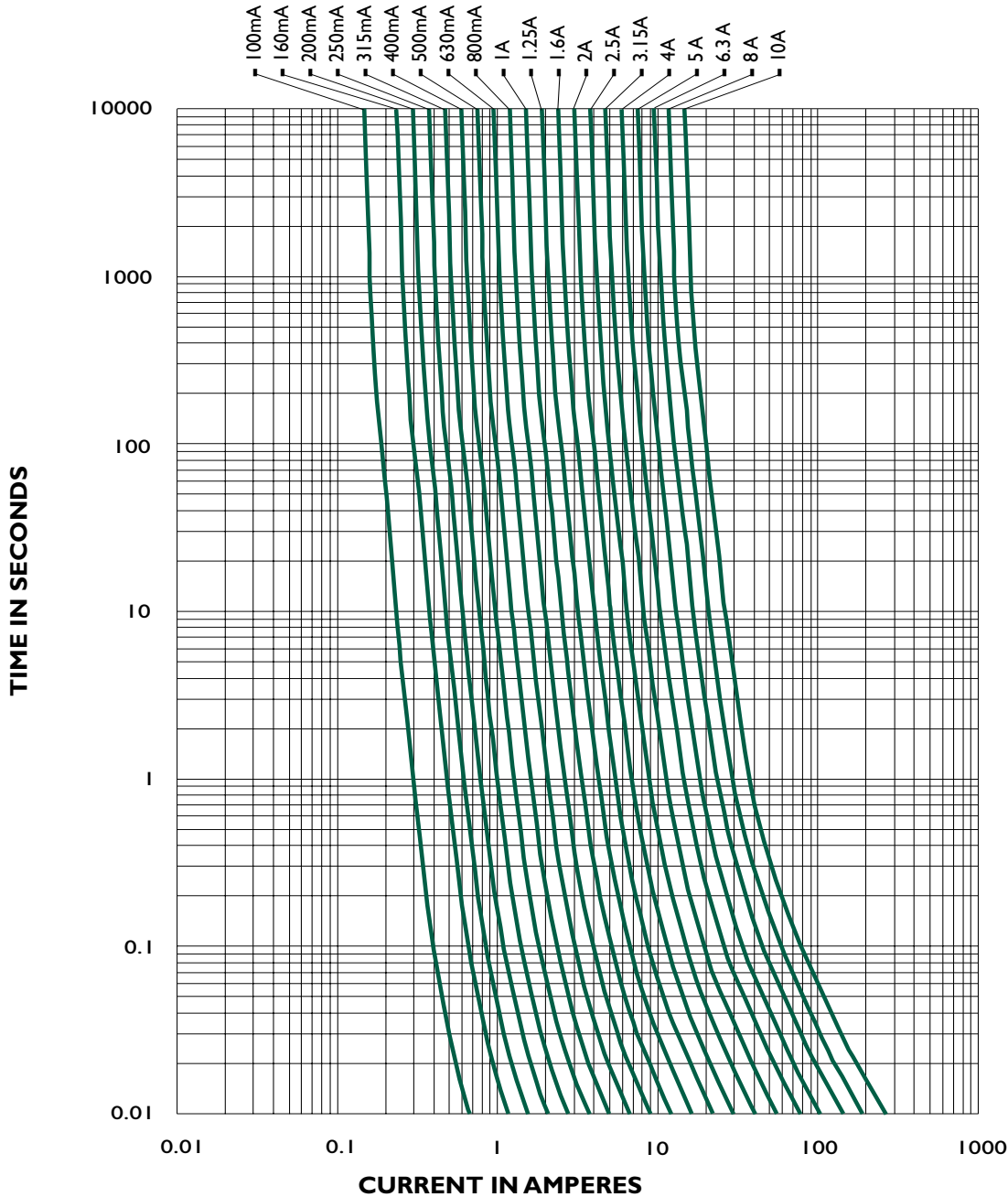
ORDERING INFORMATION SEE LAST 2 PAGES

Type 5HT / 5HTP
Time-lag Fuse Series (High - Breaking Capacity)

5 x 20mm Ceramic Tube
 RoHS Compliant

5HTC0405

5HT / 5HTP - TIME CURRENT CHARACTERISTIC CURVE



Specifications subject to change without notice

NOTE - see important information under "User Guide" on P.08

Corporate Office
Bel Fuse Inc.
 206 Van Vorst Street, Jersey City, NJ 07302
 Tel: 201-432-0463
 Fax: 201-432-9542
 E-Mail: belfuse@belfuse.com
 Website: www.belfuse.com

Far East Office
Bel Fuse Ltd.
 8F/8 Luk Hop Street
 San Po Kong
 Kowloon, Hong Kong
 Tel: 852-2328-5515
 Fax: 852-2352-3706

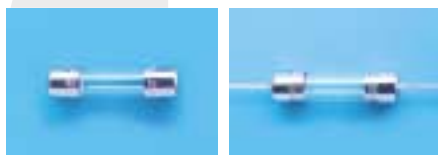
European Office
Bel Fuse Europe Ltd.
 Preston Technology Management Centre
 Marsh Lane, Preston PR1 8UD
 Lancashire, U.K
 Tel: 44-1772-556601
 Fax: 44-1772-888366

Type 5SF / 5SFP

5 x 20mm Glass Tube
RoHS Compliant

Quick-acting Fuse Series (Low Breaking Capacity)

5SFD0106



Electrical Characteristics (IEC-127-2 STANDARD SHEET 2)

Rated Current	1.5 In		2.1 In		2.75 In		4 In		10 In
	MIN	MAX	MIN	MAX	MIN	MAX	MIN	MAX	MAX
80mA to 100mA	1	30	10	0.5	3	100	20		
125mA to 6.3A	1	30	50	2	10	300	20		
8A to 10A	1	30	50	2	10	400	40		
	hr.	min.	ms	sec	ms	ms	ms		

Approvals

Safety Agency Approvals	Amp range / Volt @ I.R. ability
Certificate No. 0035174 / 0046197 Licence No. 40000509 Certificate No. EM234	80mA - 6.3A / 250V AC@ 35A or 10 In whichever is greater
Recognized File No. E20624 Acceptance File No. LR39772	80mA - 10A / 250V AC@ 35A or 10 In whichever is greater
Licence No. 2003010207030263	80mA - 6.3A / 250V AC@ 35A or 10 In whichever is greater

RoHS Compliant Product

For RoHS Compliant Version, add suffix "R" after catalog number

Operating Temperature

-55°C to +125°C

Physical Specification

Materials

Glass body / Nickel Plated Brass Caps

Lead wire:

Tin plated Copper alloy,

Diameter 0.032", 6.3A and less

Diameter 0.040", 8A and above

Marking

On fuse:

"bel", "F", "Current Rating", "L", "250V", "Appropriate Safety Logos" and "✓" (RoHS Version)

On label:

"bel", "5SF", or "5SFP", "Current Rating", "Voltage Rating", "Interrupting Rating", "Appropriate Safety Logos" and "✓" + suffix "R" for RoHS Version

Packaging

1. In bulk:

5SF - 1,000 pcs per box; 5SFP - 500 pcs per box

2. On Axial Tape & Reel:

1,500 pcs per reel

3. Tape & Reel specification:

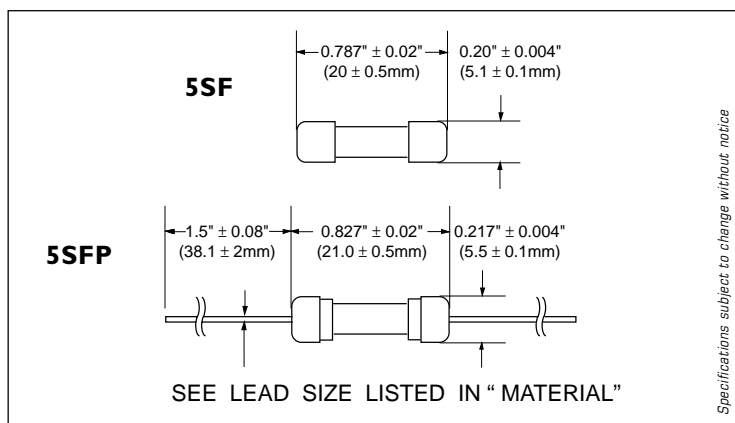
per EIA-296-E & IEC 286-1

@ 10mm Pitch and 63.5mm inside Tape Spacing

Catalog Number	RoHS Suffix	Ampere Rating	Typical Cold Resistance (ohm)	Volt-drop @100% In (Volt) max.	Melting I ² T < 10 mSec (A ² Sec)	Melting I ² T @10 In (A ² Sec)	Maximum Power Dissipation (W)
5SF (P) 80	-R	80mA	6.80	0.93	0.003	0.003	0.39
5SF (P) 100	-R	100mA	4.90	0.84	0.005	0.005	0.44
5SF (P) 125	-R	125mA	3.50	0.76	0.009	0.008	0.50
5SF (P) 160	-R	160mA	2.50	0.68	0.017	0.015	0.57
5SF (P) 200	-R	200mA	1.10	0.44	0.030	0.028	0.64
5SF (P) 250	-R	250mA	0.95	0.40	0.05	0.05	0.73
5SF (P) 315	-R	315mA	0.50	0.35	0.10	0.09	0.83
5SF (P) 400	-R	400mA	0.44	0.32	0.17	0.17	0.94
5SF (P) 500	-R	500mA	0.32	0.28	0.40	0.40	0.12
5SF (P) 630	-R	630mA	0.15	0.15	0.64	0.65	0.15
5SF (P) 800	-R	800mA	0.11	0.14	1.01	1.04	0.20
5SF (P) 1	-R	1A	0.090	0.13	1.6	1.7	0.27
5SF (P) 1.25	-R	1.25A	0.062	0.12	2.5	2.7	0.35
5SF (P) 1.6	-R	1.6A	0.050	0.12	4.0	4.4	0.47
5SF (P) 2	-R	2A	0.036	0.11	6.4	7.0	0.62
5SF (P) 2.5	-R	2.5A	0.026	0.11	10	11	0.82
5SF (P) 3.15	-R	3.15A	0.022	0.10	16	18	1.08
5SF (P) 4	-R	4A	0.017	0.10	26	30	1.43
5SF (P) 5	-R	5A	0.012	0.09	41	48	1.89
5SF (P) 6.3	-R	6.3A	0.010	0.09	65	74	2.50
5SF (P) 8	-R	8A	0.007	0.08	103	119	3.30
5SF (P) 10	-R	10A	0.006	0.08	163	192	4.37

Consult manufacturer for other ratings

Mechanical Dimensions



Specifications subject to change without notice

ORDERING INFORMATION SEE LAST 2 PAGES

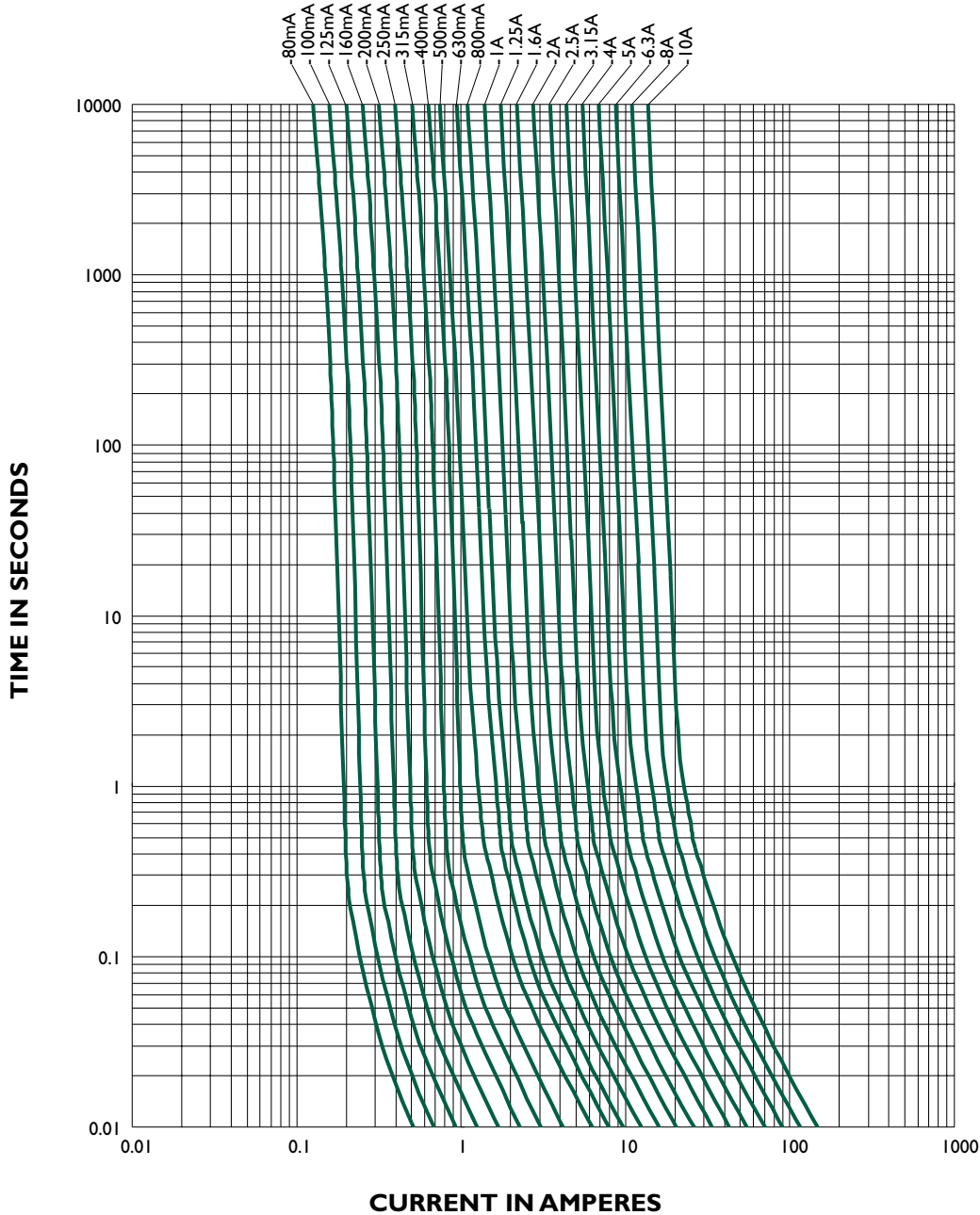
Type 5SF / 5SFP

5 x 20mm Glass Tube
RoHS Compliant

Quick-acting Fuse Series (Low Breaking Capacity)

5SFC1005

5SF / 5SFP - TIME CURRENT CHARACTERISTIC CURVE



Specifications subject to change without notice

NOTE - see important information under "User Guide" on P.08

Corporate Office

Bel Fuse Inc.
206 Van Vorst Street, Jersey City, NJ 07302
Tel: 201-432-0463
Fax: 201-432-9542
E-Mail: belfuse@belfuse.com
Website: www.belfuse.com

Far East Office

Bel Fuse Ltd.
8F/8 Luk Hop Street
San Po Kong
Kowloon, Hong Kong
Tel: 852-2328-5515
Fax: 852-2352-3706

European Office

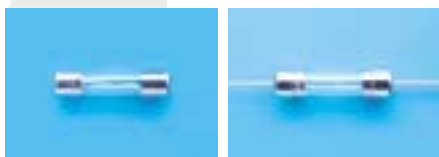
Bel Fuse Europe Ltd.
Preston Technology Management Centre
Marsh Lane, Preston PR1 8UD
Lancashire, U.K
Tel: 44-1772-556601
Fax: 44-1772-888366

Type 5ST / 5STP

5 x 20mm Glass Tube
RoHS Compliant

Time-lag Fuse Series (Low Breaking Capacity)

SSTD0106



Electrical Characteristics (IEC-127-2 STANDARD SHEET 3)

Rated Current	1.5 In		2.1 In		2.75 In		4 In		10 In	
	MIN	MAX	MIN	MAX	MIN	MAX	MIN	MAX	MIN	MAX
63mA to 100mA	1	2	200	10	40	3	10	300		
125mA to 12.5A	1	2	600	10	150	3	20	300		
	hr.	min.	ms	sec	ms	sec	ms	ms		

Approvals

Safety Agency Approvals	Amp range / Volt @ I.R. ability
Certificate No. 0045061	63mA - 6.3A / 250V AC@ 35A or 10 In whichever is greater
License No. 40000507	
Certificate No. EM231	63mA - 10A / 250V AC@ 35A or 10 In whichever is greater
Recognized File No. E20624	
Acceptance File No. LR39772	63mA - 6.3A / 250V AC@ 35A or 10 In whichever is greater
Licence No. 2003010207030316	

RoHS Compliant Product

For RoHS Compliant Version, add suffix "R" after catalog number

Operating Temperature

-55°C to +125°C

Physical Specification

Materials

Glass body / Nickel Plated Brass Caps

Lead wire:

Tin plated copper alloy,

Diameter 0.032", 6.3A and less

Diameter 0.040", 8A and above

Marking

On fuse:

"bel", "T", "Current Rating", "L", "250V",

"Appropriate Safety Logos", "✓" (RoHS Version)

On label:

"bel", "5ST" or "5STP", "Current Rating", "Voltage

Rating", "Interrupting Rating", "Appropriate Safety Logos"

and "✓" + suffix "R" for RoHS Version

Packaging

1. In bulk:

5ST - 1,000 pcs per box; 5STP - 500 pcs per box

2. On Axial Tape & Reel:

1,500 pcs per reel

3. Tape & Reel specification:

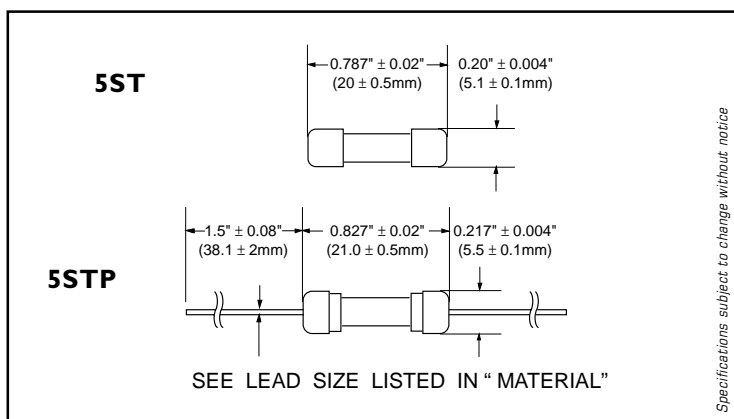
per EIA-296-E & IEC 286-1

@ 10mm Pitch and 63.5mm inside Tape Spacing

Catalog Number	RoHS Suffix	Ampere Rating	Typical Cold Resistance (ohm)	Volt-drop @100% In (Volt) max.	Melting I ² T < 10 mSec (A ² Sec)	Melting I ² T @10 In (A ² Sec)	Maximum Power Dissipation (W)
5ST (P) 63	-R	63mA	23.9	2.77	0.008	0.021	0.28
5ST (P) 80	-R	80mA	15.7	2.24	0.015	0.036	0.29
5ST (P) 100	-R	100mA	10.3	1.82	0.03	0.06	0.30
5ST (P) 125	-R	125mA	6.8	1.47	0.05	0.11	0.30
5ST (P) 160	-R	160mA	4.4	1.19	0.08	0.19	0.31
5ST (P) 200	-R	200mA	2.9	0.97	0.15	0.33	0.32
5ST (P) 250	-R	250mA	1.9	0.78	0.26	0.58	0.32
5ST (P) 315	-R	315mA	1.3	0.63	0.46	1.01	0.33
5ST (P) 400	-R	400mA	0.82	0.51	0.81	1.76	0.34
5ST (P) 500	-R	500mA	0.54	0.42	1.4	3.1	0.34
5ST (P) 630	-R	630mA	0.22	0.17	0.9	1.5	0.18
5ST (P) 800	-R	800mA	0.15	0.15	1.6	2.5	0.20
5ST (P) 1	-R	1A	0.095	0.13	2.4	3.3	0.17
5ST (P) 1.25	-R	1.25A	0.06	0.09	4.1	5.5	0.19
5ST (P) 1.6	-R	1.6A	0.04	0.09	6.9	8.9	0.23
5ST (P) 2	-R	2A	0.03	0.08	12	15	0.26
5ST (P) 2.5	-R	2.5A	0.02	0.07	20	24	0.31
5ST (P) 3.15	-R	3.15A	0.018	0.07	33	39	0.36
5ST (P) 4	-R	4A	0.014	0.06	56	64	0.42
5ST (P) 5	-R	5A	0.011	0.06	95	105	0.49
5ST (P) 6.3	-R	6.3A	0.008	0.06	160	173	0.57
5ST (P) 8	-R	8A	0.006	0.06	260	282	0.8
5ST (P) 10	-R	10A	0.005	0.06	439	461	1.0
5ST (P) 12.5	-R	12.5A	0.004	0.06	490	679	1.7

Consult manufacturer for other ratings

Mechanical Dimensions



SEE LEAD SIZE LISTED IN "MATERIAL"

Specifications subject to change without notice

ORDERING INFORMATION SEE LAST 2 PAGES

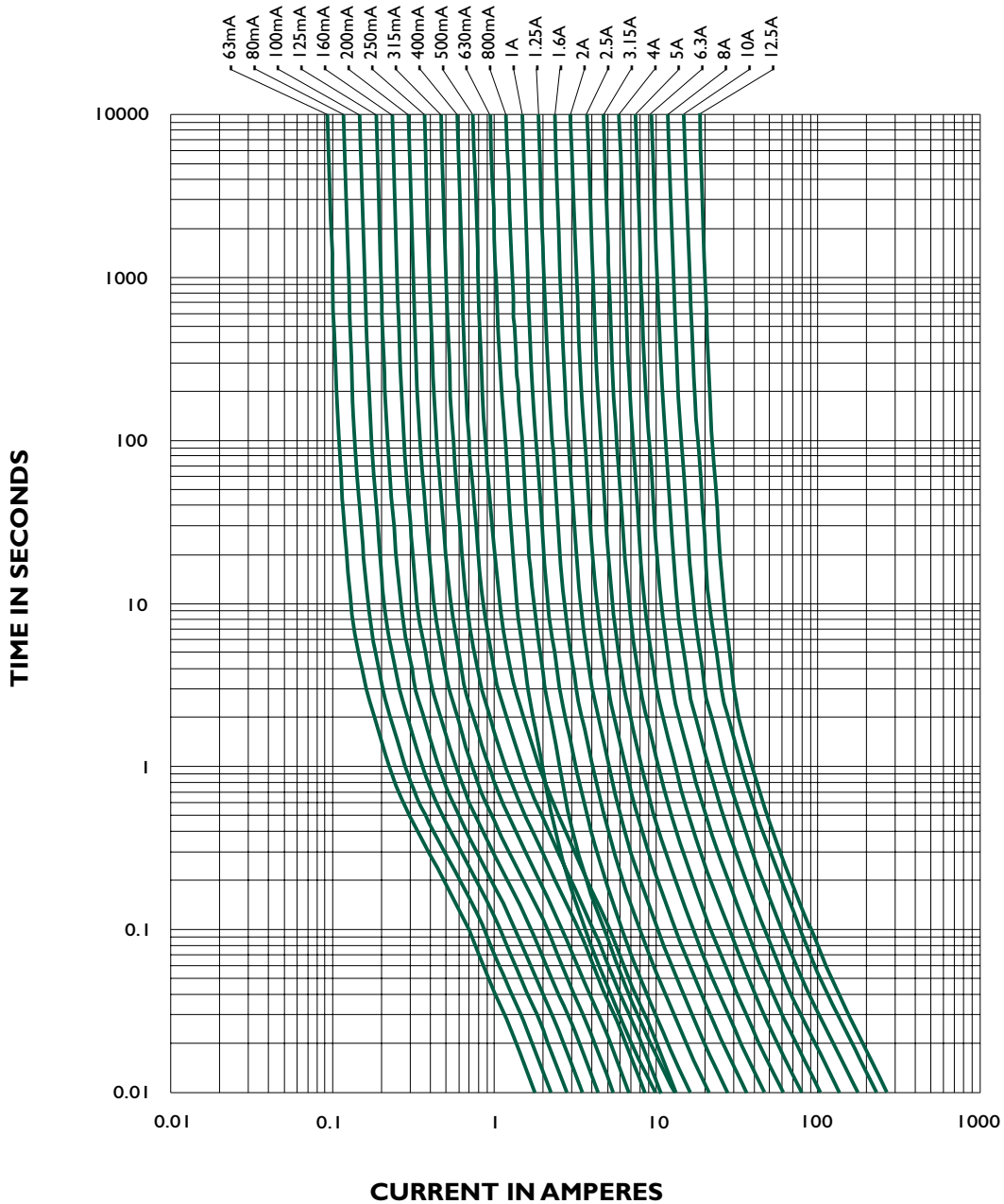
Type 5ST / 5STP

Time-lag Fuse Series (Low Breaking Capacity)

5 x 20mm Glass Tube
RoHS Compliant

5STC1005

5ST / 5STP - TIME CURRENT CHARACTERISTIC CURVE



Specifications subject to change without notice

NOTE - see important information under "User Guide" on P.08

Corporate Office

Bel Fuse Inc.
206 Van Vorst Street, Jersey City, NJ 07302
Tel: 201-432-0463
Fax: 201-432-9542
E-Mail: belfuse@belfuse.com
Website: www.belfuse.com

Far East Office

Bel Fuse Ltd.
8F/8 Luk Hop Street
San Po Kong
Kowloon, Hong Kong
Tel: 852-2328-5515
Fax: 852-2352-3706

European Office

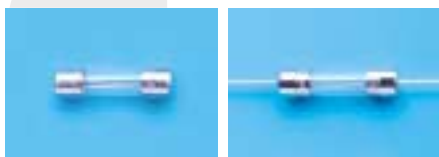
Bel Fuse Europe Ltd.
Preston Technology Management Centre
Marsh Lane, Preston PR1 8UD
Lancashire, U.K
Tel: 44-1772-556601
Fax: 44-1772-888366

Type 5VT / 5VTP

5 x 20mm Glass Tube
RoHS Compliant

Time-lag Fuse Series (High Surge-proof, Low-breaking Capacity)

5VTD1005



Electrical Characteristics (IEC-127-2 STANDARD SHEET 3)

Rated Current	1.5 In		2.1 In		2.75 In		4 In		10 In	
	MIN	MAX	MIN	MAX	MIN	MAX	MIN	MAX	MIN	MAX
1A to 6.3A	1	2	600	10	150	3	20	300		
	hr.	min.	ms	sec	ms	sec	ms	ms		

Approvals



Safety Agency Approvals	Amp range / Volt @ I.R. ability
<ul style="list-style-type: none"> Certificate No. 9710060 License No. 40007745 Recognized File No. E20624 Acceptance File No. LR39772 Licence No. 2003010207030341 	<p>1A - 6.3A / 250V AC@ 35A or 10 In whichever is greater</p>

RoHS Compliant Product

For RoHS Compliant Version, add suffix "R" after catalog number

Operating Temperature

-55°C to +125°C

Physical Specification

Materials

Glass body / Nickel Plated Brass Caps

Lead wire :

Tin plated Copper alloy,

Diameter 0.032", 6.3 and less

Marking

On fuse:

"bel", "T", "Current Rating", "L", "250V",
"Appropriate Safety Logos", "✓" (RoHS Version)

On label:

"bel", "5VT" or "5VTP", "Current Rating", "Voltage Rating", "Interrupting Rating", "Appropriate Safety Logos" and "✓" + suffix "R" for RoHS Version

Catalog Number	RoHS Suffix	Ampere Rating	Typical Cold Resistance (ohm)	Volt-drop @100% In (Volt) max.	Melting I ² t < 10 mSec (A ² Sec)	Melting I ² t @10 In (A ² Sec)	Maximum Power Dissipation (W)
5VT (P) 1	-R	1A	0.110	0.133	28	29	0.42
5VT (P) 1.25	-R	1.25A	0.080	0.128	42	43	0.42
5VT (P) 1.6	-R	1.6A	0.059	0.123	62	64	0.51
5VT (P) 2	-R	2A	0.040	0.118	92	95	0.61
5VT (P) 2.5	-R	2.5A	0.030	0.113	137	142	0.74
5VT (P) 3.15	-R	3.15A	0.022	0.109	203	211	0.90
5VT (P) 4	-R	4A	0.016	0.105	300	313	1.08
5VT (P) 5	-R	5A	0.012	0.100	444	465	1.31
5VT (P) 6.3	-R	6.3A	0.009	0.097	658	691	1.58

Consult manufacturer for other ratings

Packaging

1. In bulk :

5VT - 1,000 pcs per box; 5VTP - 500 pcs per box

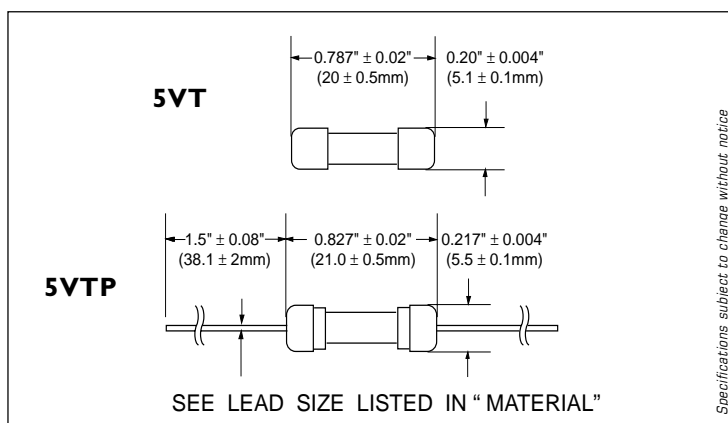
2. On Axial Tape & Reel:

1,500 pcs per reel

3. Tape & Reel specification:

per EIA-296-E & IEC 286-1 @ 10mm Pitch and 63.5mm inside Tape Spacing

Mechanical Dimensions



ORDERING INFORMATION SEE LAST 2 PAGES

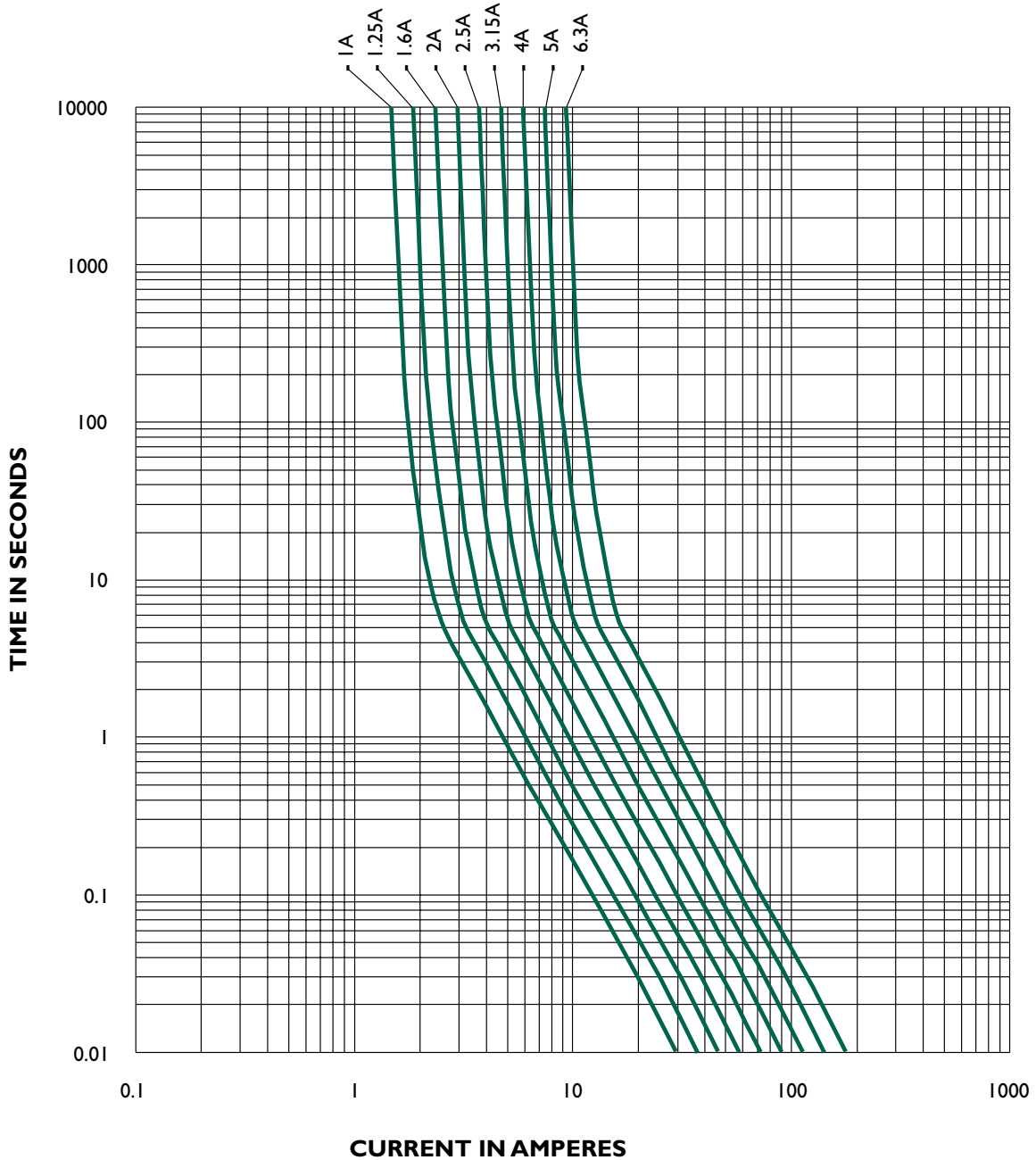
Type 5VT / 5VTP

Time-lag Fuse Series (High Surge-proof, Low-breaking Capacity)

5 x 20mm Glass Tube
RoHS Compliant

5VTC1105

5VT / 5VTP - TIME CURRENT CHARACTERISTIC CURVE



Specifications subject to change without notice

NOTE - see important information under "User Guide" on P.08

Corporate Office

Bel Fuse Inc.
206 Van Vorst Street, Jersey City, NJ 07302
Tel: 201-432-0463
Fax: 201-432-9542
E-Mail: belfuse@belfuse.com
Website: www.belfuse.com

Far East Office

Bel Fuse Ltd.
8F/8 Luk Hop Street
San Po Kong
Kowloon, Hong Kong
Tel: 852-2328-5515
Fax: 852-2352-3706

European Office

Bel Fuse Europe Ltd.
Preston Technology Management Centre
Marsh Lane, Preston PR1 8UD
Lancashire, U.K
Tel: 44-1772-556601
Fax: 44-1772-888366