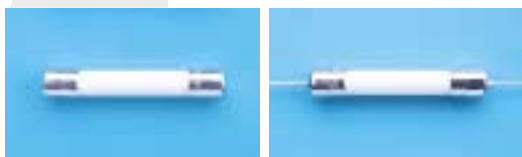


Type 3AB / 3ABP
Fast Blow Fuse Series

1/4 x 1 1/4 inch Ceramic Tube
RoHS Compliant

3ABD0806



Electrical Characteristics (ULICSA STD. 248-14)

Testing Current	Blow Time		Amp Range
	Minimum	Maximum	
100%	4 Hrs.	N/A	0.1A - 20A
135%	N/A	1 Hr	0.1A - 10A
200%	N/A	5 sec	0.1A - 10A
	N/A	120 sec	12A - 20A



Approvals

Safety Agency Approvals	Type	Amp range / Volt @ I.R. ability
<ul style="list-style-type: none"> UL_{US} Listed File No. E20624 SP Certified File No. LR39772 	3AB / 3ABP	100mA - 1A / 250V AC@ 35A >1A - 3.5A / 250V AC@ 100A >3.5A - 10A / 250V AC@ 200A 100mA - 10A / 125V AC@ 10,000A
<ul style="list-style-type: none"> UL_{US} Listed File No. E20624 		>10A - 15A / 250V AC@ 750A >15A - 20A / 250V AC@ 1,500A >10A - 20A / 125V AC@ 10,000A
<ul style="list-style-type: none"> File No. JET1037-31003-1001, JET1037-31003-1003 File No. JET1037-31003-1002 	3AB / 3ABP	1A - 5A / 125V AC@ 500A
	3AB	>5A - 15A / 125V AC@ 300A

RoHS Compliant Product

For RoHS compliant version, add suffix "R" after catalog number

Operating Temperature

-55°C to +125°C

Physical Specification

Materials

Ceramic body / Nickel Plated Brass Caps

Lead wire:

Tin plated Copper, Diameter 0.040" for all ratings

Marking

On fuse:

"bel", "3AB", "Current Rating", "Voltage Rating", "Appropriate Safety Logos", "✓" (RoHS Version)

On label:

"bel", "3AB" or "3ABP", "Current Rating", "Voltage Rating", "Interrupting Rating", "Appropriate Safety Logos" and "✓" + suffix "R" for RoHS Version

Voltage on fuse:

125V and 250V for 750mA - 20A rating,
250V for below 750mA rating

Packaging

1. In bulk:

3AB - 1,000 pcs per box; 3ABP - 500 pcs per box

2. On Axial Tape & Reel:

1,000 pcs per reel

3. Tape & Reel specification:

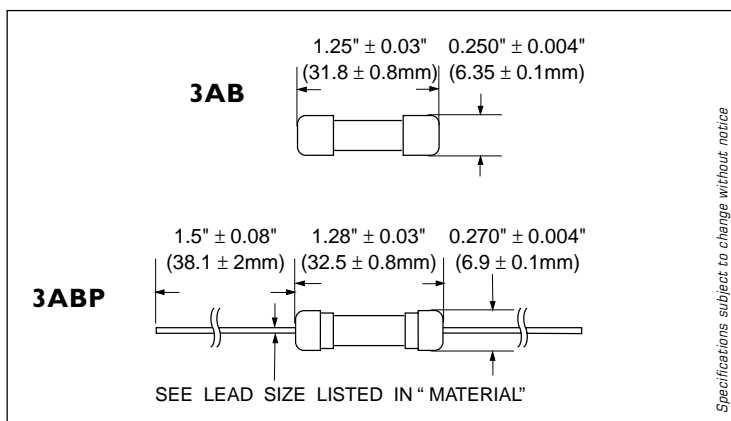
per EIA-296-E & IEC 286-1

@ 10mm Pitch and 73mm inside Tape Spacing

Catalog Number	RoHS Suffix	Ampere Rating	Typical Cold Resistance (ohm)	Volt-drop @100% In (Volt) max.	Melting I ² T < 10 mSec (A ² Sec)	Melting I ² T @10 In (A ² Sec)	Maximum Power Dissipation (W)
3AB (P) 100	-R	100mA	12.5	4.5	0.002	0.002	0.59
3AB (P) 125	-R	125mA	12.0	4.5	0.004	0.003	0.74
3AB (P) 160	-R	160mA	8.3	4.2	0.008	0.005	0.87
3AB (P) 200	-R	200mA	5.7	3.9	0.014	0.010	1.02
3AB (P) 250	-R	250mA	3.9	3.6	0.025	0.017	1.19
3AB (P) 300	-R	300mA	2.7	3.4	0.044	0.032	1.40
3AB (P) 375	-R	375mA	2.0	3.2	0.07	0.05	1.58
3AB (P) 500	-R	500mA	0.75	1.1	0.14	0.10	1.92
3AB (P) 750	-R	750mA	0.24	0.2	0.75	0.74	0.30
3AB (P) 1	-R	1A	0.16	0.23	1.43	1.44	0.37
3AB (P) 1.25	-R	1.25A	0.114	0.21	2.45	2.51	0.44
3AB (P) 1.6	-R	1.6A	0.084	0.20	4.2	4.4	0.51
3AB (P) 2	-R	2A	0.063	0.18	7.2	7.6	0.59
3AB (P) 2.5	-R	2.5A	0.047	0.170	12	13	0.70
3AB (P) 3	-R	3A	0.035	0.162	21	23	0.83
3AB (P) 3.5	-R	3.5A	0.030	0.157	28	31	0.91
3AB (P) 4	-R	4A	0.026	0.154	36	40	1.0
3AB (P) 5	-R	5A	0.020	0.146	63	70	1.2
3AB (P) 6	-R	6A	0.015	0.139	107	123	1.4
3AB (P) 7	-R	7A	0.013	0.135	141	162	1.6
3AB (P) 8	-R	8A	0.012	0.132	184	214	1.7
3AB (P) 10	-R	10A	0.009	0.125	316	372	2.0
3AB (P) 12	-R	12A	0.008	0.160	501	597	2.3
3AB (P) 15	-R	15A	0.006	0.140	845	1023	2.7
3AB (P) 20	-R	20A	0.004	0.120	1598	1968	3.0

Consult manufacturer for other ratings

Mechanical Dimensions



Specifications subject to change without notice

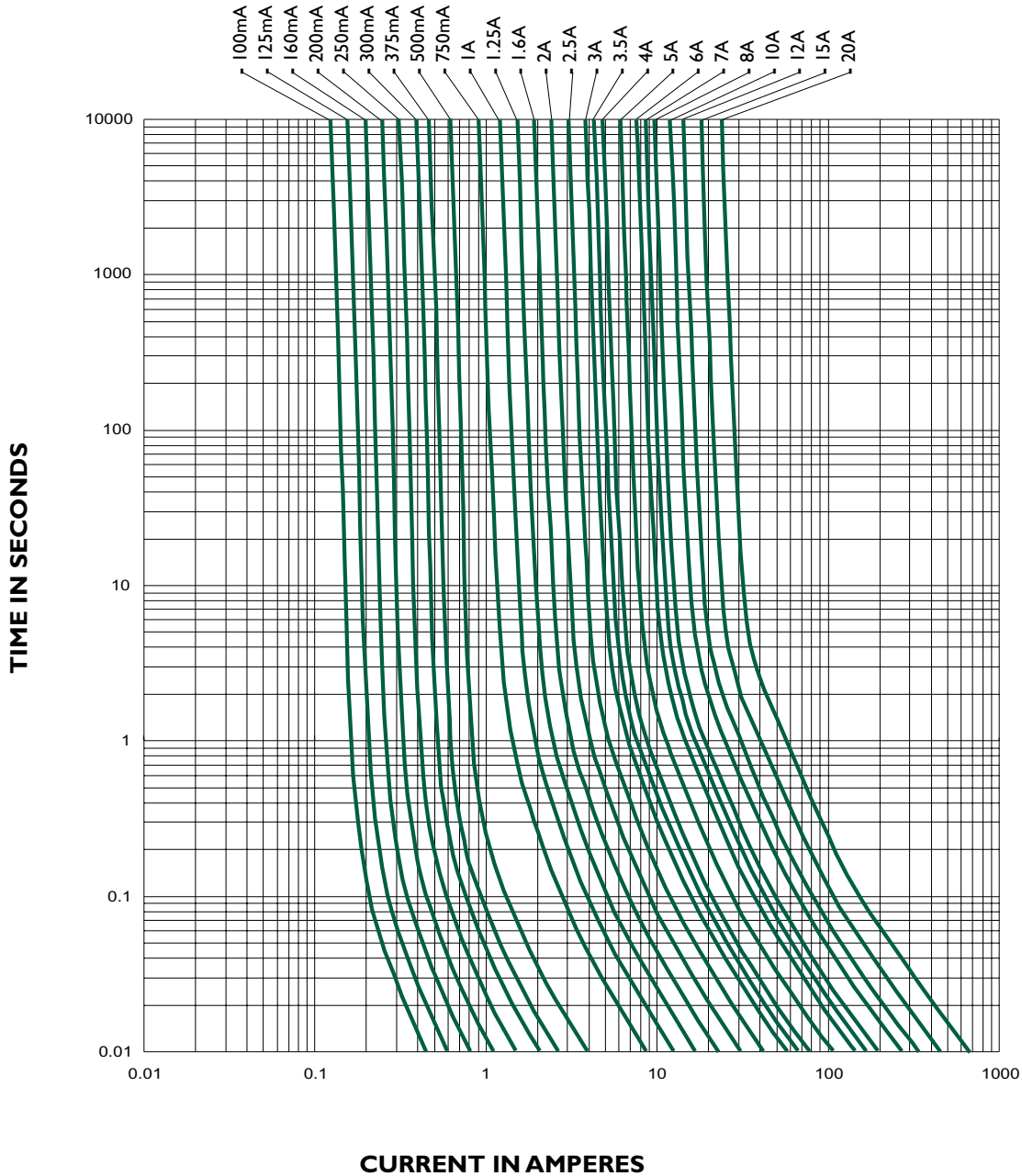
ORDERING INFORMATION SEE LAST 2 PAGES

Type 3AB / 3ABP
Fast Blow Fuse Series

1/4 x 1 1/4 inch Ceramic Tube
RoHS Compliant

3ABC0806

3AB / 3ABP - TIME CURRENT CHARACTERISTIC CURVE



Specifications subject to change without notice

NOTE - see important information under "User Guide" on P.08

Corporate Office
Bel Fuse Inc.
206 Van Vorst Street, Jersey City, NJ 07302
Tel: 201-432-0463
Fax: 201-432-9542
E-Mail: belfuse@belfuse.com
Website: www.belfuse.com

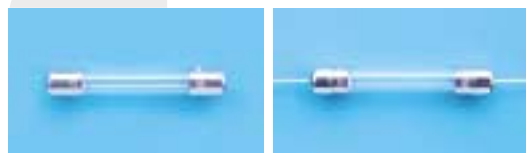
Far East Office
Bel Fuse Ltd.
8F/8 Luk Hop Street
San Po Kong
Kowloon, Hong Kong
Tel: 852-2328-5515
Fax: 852-2352-3706

European Office
Bel Fuse Europe Ltd.
Preston Technology Management Centre
Marsh Lane, Preston PR1 8UD
Lancashire, U.K
Tel: 44-1772-556601
Fax: 44-1772-888366

Type 3AG / 3AP
Fast Blow Fuse Series

1/4 x 1 1/4 inch Glass Tube
RoHS Compliant

3AGD1005



Electrical Characteristics (ULICSA STD. 248-14)

Testing current	Blow Time	
	Minimum	Maximum
100%	4 Hrs.	N/A
135%	N/A	1 Hr
200%	N/A	5 sec

Approvals



Safety Agency Approvals	Type	Amp range/Volt @ I.R. ability
Listed File No. E20624 Certified File No. LR39772	3AG / 3AP	100mA - 10A / 250V AC@ 200A
File No. JET1037-31003-1001, JET1037-31003-1003 File No. JET1037-31003-1002	3AG / 3AP	1A - 5A / 125V AC@ 500A
	3AG	>5A - 15A / 125V AC@ 300A

RoHS Compliant Product

For RoHS Compliant Version, add suffix "R" after catalog number

Operating Temperature

-55°C to +125°C

Physical Specification

Materials

Glass body / Nickel Plated Brass Caps

Lead wire:

- Tin plated Copper;
- Diameter 0.032", 7A and less
- Diameter 0.040", 8A and above

Marking

On fuse:

"bel", "3AG", "Current Rating", "Voltage Rating",
"Appropriate Safety Logos", "✓" (RoHS Version)

On label:

"bel", "3AG" or "3AP", "Current Rating", "Voltage Rating",
"Interrupting Rating", "Appropriate Safety Logos"
and "PS E" + suffix "R" for RoHS Version

Voltage on fuse:

250V for 100mA to 10A; 125V for 12A and above

Packaging

1. In bulk:

3AG - 1,000 pcs per box; 3AP - 500 pcs per box

2. On Axial Tape & Reel:

1,000 pcs per reel

3. Tape & Reel specification:

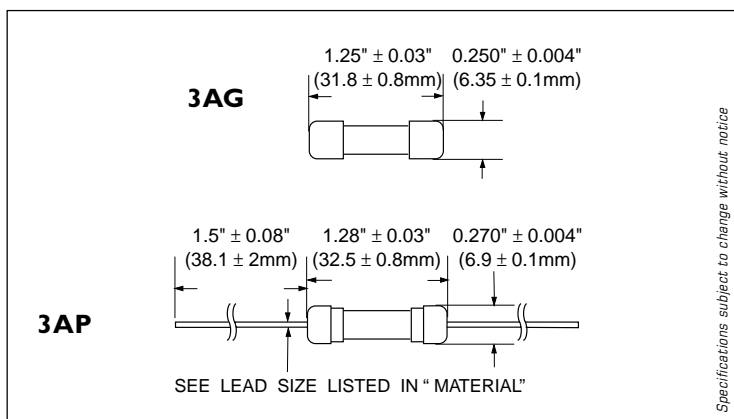
per EIA-296-E & IEC 286-1

@ 10mm Pitch and 73mm inside Tape Spacing

Catalog Number	RoHS Suffix	Ampere Rating	Typical Cold Resistance (ohm)	Volt-drop @100% In (Volt) max.	Melting I ² T < 10 mSec (A ² Sec)	Melting I ² T @10 In (A ² Sec)	Maximum Power Dissipation (W)
3AG (3AP) 100	-R	100mA	12.5	4.5	0.002	0.002	0.59
3AG (3AP) 125	-R	125mA	12.0	4.5	0.004	0.003	0.80
3AG (3AP) 160	-R	160mA	8.3	4.2	0.008	0.006	0.94
3AG (3AP) 200	-R	200mA	4.6	3.9	0.014	0.010	1.10
3AG (3AP) 250	-R	250mA	3.5	3.6	0.025	0.019	1.29
3AG (3AP) 300	-R	300mA	2.7	3.4	0.044	0.034	1.51
3AG (3AP) 375	-R	375mA	2.0	3.2	0.071	0.055	1.64
3AG (3AP) 400	-R	400mA	1.6	3.1	0.080	0.080	1.71
3AG (3AP) 500	-R	500mA	1.28	2.9	0.14	0.11	1.88
3AG (3AP) 750	-R	750mA	0.68	2.3	0.19	0.17	2.15
3AG (3AP) 1	-R	1A	0.16	0.27	1.4	1.4	0.37
3AG (3AP) 1.25	-R	1.25A	0.11	0.24	2.4	2.5	0.44
3AG (3AP) 1.6	-R	1.6A	0.08	0.22	4.2	4.4	0.51
3AG (3AP) 2	-R	2A	0.063	0.20	7.2	7.6	0.59
3AG (3AP) 2.5	-R	2.5A	0.047	0.18	12	13	0.70
3AG (3AP) 3	-R	3A	0.035	0.170	21	23	0.83
3AG (3AP) 3.5	-R	3.5A	0.030	0.157	28	31	0.91
3AG (3AP) 4	-R	4A	0.026	0.154	36	40	1.0
3AG (3AP) 5	-R	5A	0.020	0.146	63	70	1.2
3AG (3AP) 6	-R	6A	0.015	0.139	107	123	1.4
3AG (3AP) 7	-R	7A	0.013	0.135	141	162	1.6
3AG (3AP) 8	-R	8A	0.011	0.132	184	214	1.7
3AG (3AP) 10	-R	10A	0.009	0.125	316	372	2.0
3AG (3AP) 12	-R	12A	0.007	0.120	501	597	2.4
3AG (3AP) 15	-R	15A	0.006	0.114	845	1023	2.8

Consult manufacturer for other ratings

Mechanical Dimensions



Specifications subject to change without notice

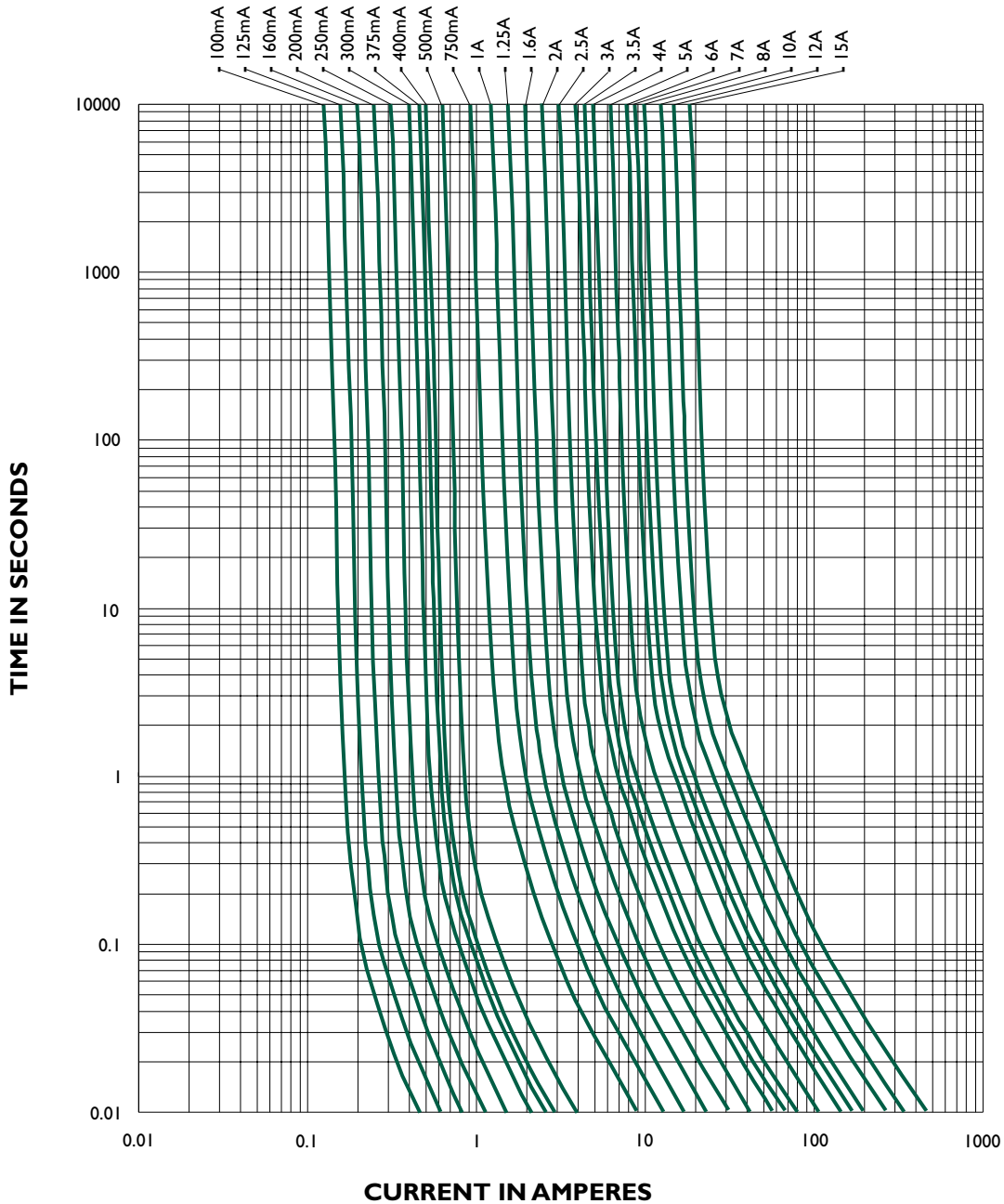
ORDERING INFORMATION SEE LAST 2 PAGES

Type 3AG / 3AP
Fast Blow Fuse Series

1/4 x 1 1/4 inch Glass Tube
RoHS Compliant

3AGC1105

3AG / 3AP - TIME CURRENT CHARACTERISTIC CURVE



Specifications subject to change without notice

NOTE - see important information under "User Guide" on P.08

Corporate Office
Bel Fuse Inc.
206 Van Vorst Street, Jersey City, NJ 07302
Tel: 201-432-0463
Fax: 201-432-9542
E-Mail: belfuse@belfuse.com
Website: www.belfuse.com

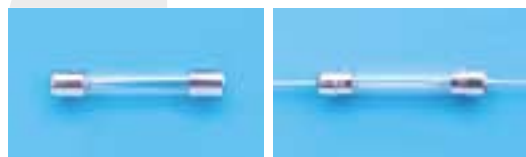
Far East Office
Bel Fuse Ltd.
8F/8 Luk Hop Street
San Po Kong
Kowloon, Hong Kong
Tel: 852-2328-5515
Fax: 852-2352-3706

European Office
Bel Fuse Europe Ltd.
Preston Technology Management Centre
Marsh Lane, Preston PR1 8UD
Lancashire, U.K
Tel: 44-1772-556601
Fax: 44-1772-888366

Type 3SB / 3SBP Slow Blow Fuse Series

1/4 x 1 1/4 inch Glass Tube
RoHS Compliant

3SBD1005



Electrical Characteristics (UL/CSA STD. 248-14)

Testing current	Blow Time	
	Minimum	Maximum
100%	4 Hrs.	N/A
135%	N/A	1 Hr
200%	5 sec	30 sec

Approvals



Safety Agency Approvals	Type	Amp range/Volt @ I.R. ability
Listed File No. E20624	3SB / 3SBP	63mA - 8A / 125V AC @ 10,000A 63mA - 8A / 250 AC @ 200A 8.1A - 15A / 125V AC @ 10,000A
Certified File No. LR39772		63mA - 1A / 250V AC @ 35A >1A - 3.5A / 250V AC @ 100A >3.5A - 8A / 250V AC @ 200A 8.1A - 15A / 125V AC @ 10,000A
File No. JET1037-31003-1001 JET1037-31003-1003	3SB / 3SBP	1A - 5A / 125V AC @ 500A
File No. JET1037-31003-1002	3SB	>5A - 15A / 125V AC @ 300A

RoHS Compliant Product

For RoHS Compliant Version, add suffix "R" after catalog number

Operating Temperature

-55°C to +125°C

Physical Specification

Materials

Glass body / Nickel Plated Brass Caps

Lead wire:

Tin plated Copper;

Diameter 0.032", 5A and less

Diameter 0.040", 6A and above

Marking

On fuse:

"bel", "3SB", "Current Rating", "Voltage Rating",
"Appropriate Safety Logos", "✓" (RoHS Version)

On label:

"bel", "3SB" or "3SBP", "Current Rating", "Voltage Rating",
"Interrupting Rating", "Appropriate Safety Logos"
and "" + suffix "R" for RoHS Version

Voltage on fuse:

250V for 63mA to 8A; 125V for 10A and above

Catalog Number	RoHS Suffix	Ampere Rating	Typical Cold Resistance (ohm)	Volt-drop @100% In (Volt) max.	Melting I ² T < 10 mSec (A ² Sec)	Melting I ² T @10 In (A ² Sec)	Maximum Power Dissipation (W)
3SB (P) 63	-R	63mA	77	6.9	0.09	0.10	0.7
3SB (P) 80	-R	80mA	52	5.7	0.13	0.15	0.7
3SB (P) 100	-R	100mA	29	3.5	0.21	0.24	0.5
3SB (P) 125	-R	125mA	16	2.7	0.32	0.37	0.6
3SB (P) 160	-R	160mA	11	2.3	0.50	0.58	0.6
3SB (P) 200	-R	200mA	8.3	1.9	0.77	0.91	0.6
3SB (P) 250	-R	250mA	5.6	1.6	1.20	1.42	0.6
3SB (P) 300	-R	300mA	3.8	1.3	1.85	2.22	0.7
3SB (P) 375	-R	375mA	2.5	1.1	2.61	3.15	0.71
3SB (P) 500	-R	500mA	1.4	0.9	4.43	5.41	0.75
3SB (P) 750	-R	750mA	0.7	0.67	8.7	10.1	0.83
3SB (P) 1	-R	1A	0.4	0.54	16.4	20.6	0.88
3SB (P) 1.25	-R	1.25A	0.24	0.5	25.4	32.3	0.9
3SB (P) 1.6	-R	1.6A	0.16	0.38	39	50	1.0
3SB (P) 2	-R	2A	0.12	0.32	61	79	1.0
3SB (P) 2.5	-R	2.5A	0.08	0.27	94	123	1.1
3SB (P) 3	-R	3A	0.07	0.22	146	192	1.1
3SB (P) 4	-R	4A	0.04	0.19	226	300	1.2
3SB (P) 5	-R	5A	0.03	0.16	349	469	1.3
3SB (P) 6	-R	6A	0.02	0.16	286	455	1.6
3SB (P) 7	-R	7A	0.016	0.16	372	592	1.8
3SB (P) 8	-R	8A	0.014	0.15	483	769	1.9
3SB (P) 10	-R	10A	0.010	0.14	817	1300	2.3
3SB (P) 12	-R	12A	0.008	0.13	1277	2031	2.6
3SB (P) 15	-R	15A	0.006	0.12	2123	3377	3.0

Consult manufacturer for other ratings

Packaging

1. In bulk:

3SB - 1,000 pcs per box; **3SBP** - 500 pcs per box

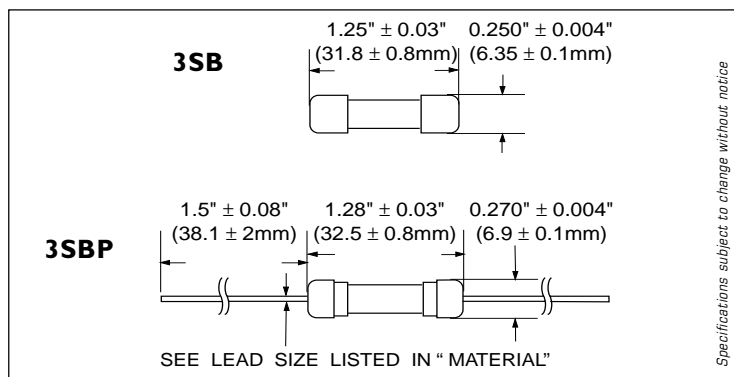
2. On Axial Tape & Reel:

1,000 pcs per reel

3. Tape & Reel specification:

per EIA-296-E & IEC 286-1 @ 10mm Pitch and 73mm inside Tape Spacing

Mechanical Dimensions



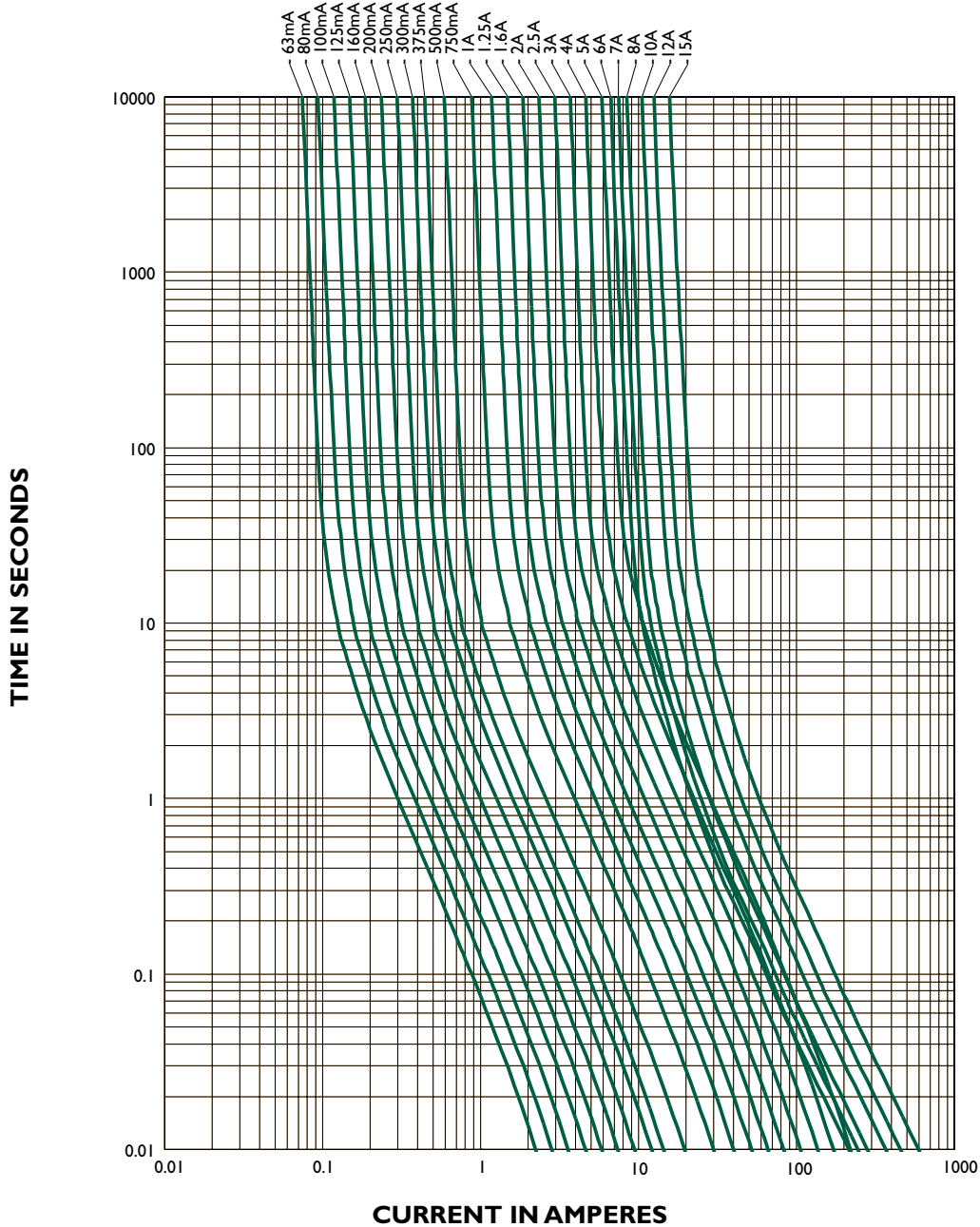
ORDERING INFORMATION SEE LAST 2 PAGES

Type 3SB / 3SBP
Slow Blow Fuse Series

1/4 x 1 1/4 inch Glass Tube
 RoHS Compliant

3SBC1005

3SB / 3SBP - TIME CURRENT CHARACTERISTIC CURVE



Specifications subject to change without notice

NOTE - see important information under "User Guide" on P.08

Corporate Office
Bel Fuse Inc.
 206 Van Vorst Street, Jersey City, NJ 07302
 Tel: 201-432-0463
 Fax: 201-432-9542
 E-Mail: belfuse@belfuse.com
 Website: www.belfuse.com

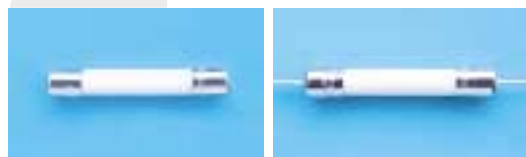
Far East Office
Bel Fuse Ltd.
 8F/8 Luk Hop Street
 San Po Kong
 Kowloon, Hong Kong
 Tel: 852-2328-5515
 Fax: 852-2352-3706

European Office
Bel Fuse Europe Ltd.
 Preston Technology Management Centre
 Marsh Lane, Preston PR1 8UD
 Lancashire, U.K
 Tel: 44-1772-556601
 Fax: 44-1772-888366

Type GSA / GSAP
Slow Blow Fuse Series

1/4 x 1 1/4 inch Ceramic Tube
RoHS Compliant

GSAD1005



Electrical Characteristics (UL/CSA STD. 248-14)

Testing current	Blow Time	
	Minimum	Maximum
100%	4 Hrs.	N/A
135%	N/A	1 Hr
200%	5 sec	30 sec

Approvals



Safety Agency Approvals	Type	Amp range / Volt @ I.R.ability
<ul style="list-style-type: none"> UL Listed File No. E20624 SP Certified File No. LR39772 	GSA / GSAP	63mA - 8A / 125V AC@ 10,000A 63mA - 1A / 250V AC@ 35A >1A - 3.5A / 250V AC@ 100A >3.5A - 8A / 250V AC@ 200A
<ul style="list-style-type: none"> UL Recognized File No. E20624 SP Acceptance File No. LR39772 	GSA / GSAP	10A - 15A / 125V AC@ 10,000A 10A - 15A / 250V AC@ 750A
<ul style="list-style-type: none"> File No. JET1037-31003-1001, JET1037-31003-1003 File No. JET1037-31003-1002 	GSA / GSAP GSA	1A - 5A / 125V AC@ 500A >5A - 15A / 125V AC@ 300A

RoHS Compliant Product

For RoHS Compliant Version, add suffix "R" after catalog number

Operating Temperature

-55°C to +125°C

Physical Specification

Materials

Ceramic body / Nickel Plated Brass Caps

Lead wire:

Tin plated Copper, Diameter 0.040" all ratings

Marking

On fuse:

"bel", "GSA", "Current Rating", "Voltage Rating",
"Appropriate Safety Logos", "✓" (RoHS Version)

On label:

"bel", "GSA" or "GSAP", "Current Rating", "Voltage Rating", "Interrupting Rating", "Appropriate Safety Logos" and "PS E" + suffix "R" for RoHS Version

Voltage on fuse:

250V for 63mA to 15A

Packaging

1. In bulk:

GSA - 1,000 pcs per box; GSAP - 500 pcs per box

2. On Axial Tape & Reel:

1,000 pcs per reel

3. Tape & Reel specification:

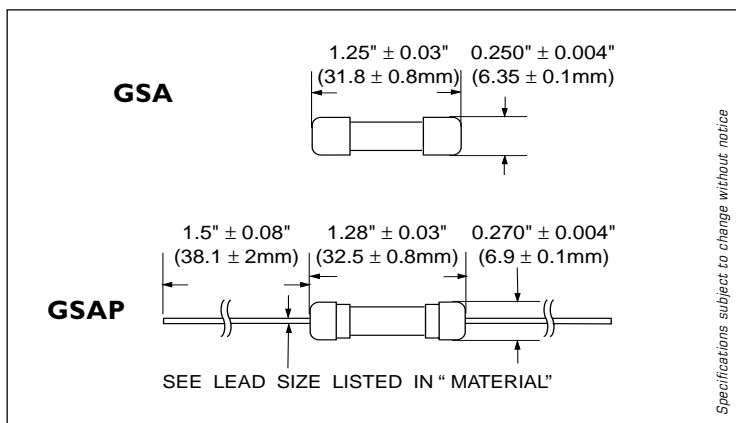
per EIA-296-E & IEC 286-1

@ 10mm Pitch and 73mm inside Tape Spacing

Catalog Number	RoHS Suffix	Ampere Rating	Typical Cold Resistance (ohm)	Volt-drop @100% In (Volt) max.	Melting FT < 10 mSec (A Sec)	Melting FT @10 In (A Sec)	Maximum Power Dissipation (W)
GSA (P) 63	-R	63mA	80.4	6.92	0.087	0.098	0.71
GSA (P) 80	-R	80mA	54.0	5.73	0.135	0.152	0.74
GSA (P) 100	-R	100mA	22.0	4.00	0.209	0.238	0.55
GSA (P) 125	-R	125mA	15.9	2.82	0.323	0.372	0.58
GSA (P) 160	-R	160mA	11.5	2.33	0.499	0.581	0.60
GSA (P) 200	-R	200mA	8.30	1.93	0.773	0.908	0.63
GSA (P) 250	-R	250mA	4.92	1.62	1.20	1.42	0.66
GSA (P) 300	-R	300mA	3.31	1.35	1.85	2.22	0.70
GSA (P) 375	-R	375mA	2.44	1.18	2.6	3.2	0.73
GSA (P) 500	-R	500mA	1.50	0.949	4.4	5.4	0.78
GSA (P) 600	-R	600mA	1.01	0.794	6.9	8.5	0.82
GSA (P) 700	-R	700mA	0.825	0.727	8.5	11	0.84
GSA (P) 750	-R	750mA	0.740	0.691	10	12	0.85
GSA (P) 1	-R	1A	0.455	0.557	16	21	0.91
GSA (P)1.25	-R	1.25A	0.306	0.466	25	32	0.96
GSA (P) 1.6	-R	1.6A	0.206	0.390	39	50	1.01
GSA (P) 2	-R	2A	0.138	0.327	61	79	1.06
GSA (P) 2.5	-R	2.5A	0.093	0.274	94	123	1.12
GSA (P) 3	-R	3A	0.062	0.229	146	192	1.18
GSA (P) 4	-R	4A	0.042	0.192	226	300	1.24
GSA (P) 5	-R	5A	0.028	0.161	349	469	1.31
GSA (P) 6	-R	6A	0.019	0.163	286	455	1.61
GSA (P) 7	-R	7A	0.016	0.157	372	592	1.81
GSA (P) 8	-R	8A	0.014	0.150	483	769	1.95
GSA (P) 10	-R	10A	0.010	0.139	817	1300	2.26
GSA (P) 12	-R	12A	0.0081	0.129	1277	2031	2.56
GSA (P) 15	-R	15A	0.0060	0.120	2123	3377	2.96

Consult manufacturer for other ratings

Mechanical Dimensions



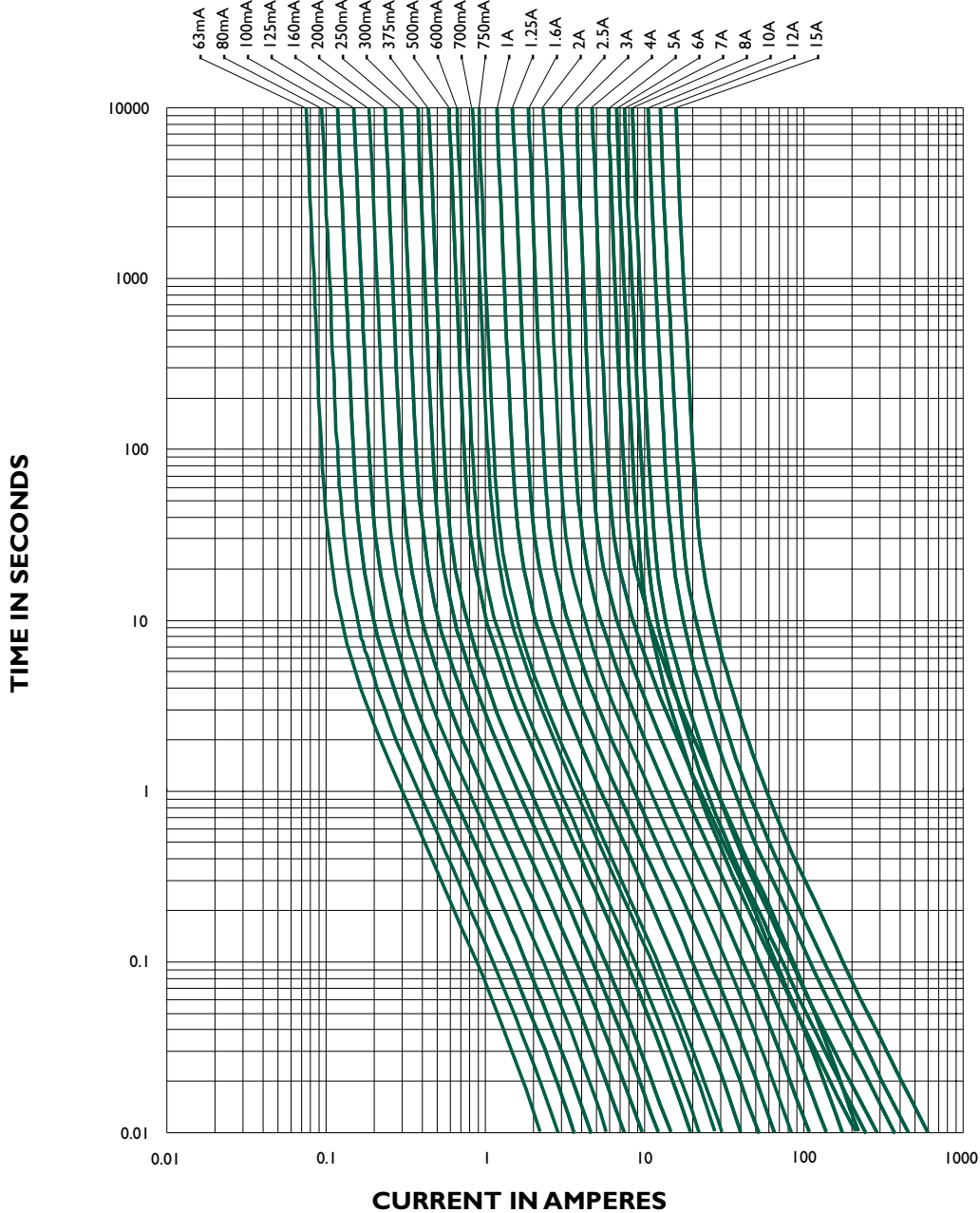
Specifications subject to change without notice

ORDERING INFORMATION SEE LAST 2 PAGES

Type GSA / GSAP
Slow Blow Fuse Series

1/4 x 1 1/4 inch Ceramic Tube
RoHS Compliant

GSA / GSAP - TIME CURRENT CHARACTERISTIC CURVE



Specifications subject to change without notice

NOTE - see important information under "User Guide" on P.08

Corporate Office
Bel Fuse Inc.
206 Van Vorst Street, Jersey City, NJ 07302
Tel: 201-432-0463
Fax: 201-432-9542
E-Mail: belfuse@belfuse.com
Website: www.belfuse.com

Far East Office
Bel Fuse Ltd.
8F/8 Luk Hop Street
San Po Kong
Kowloon, Hong Kong
Tel: 852-2328-5515
Fax: 852-2352-3706

European Office
Bel Fuse Europe Ltd.
Preston Technology Management Centre
Marsh Lane, Preston PR1 8UD
Lancashire, U.K
Tel: 44-1772-556601
Fax: 44-1772-888366