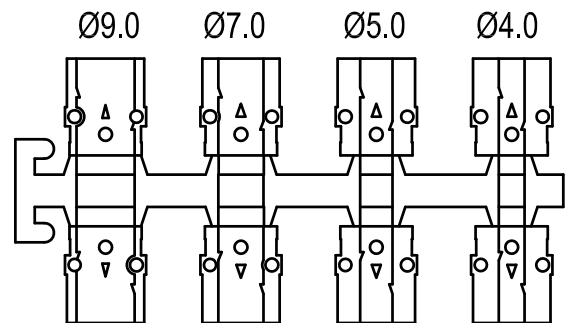
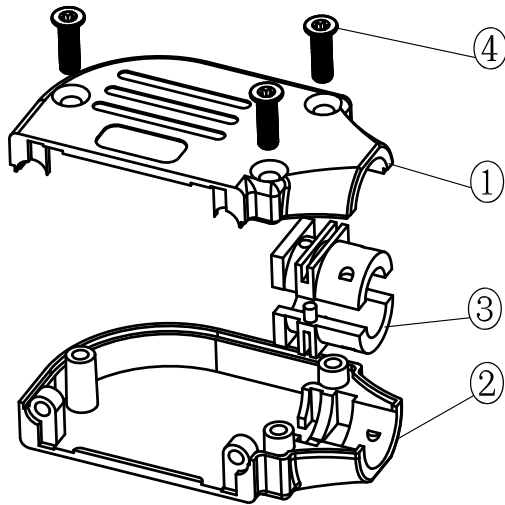
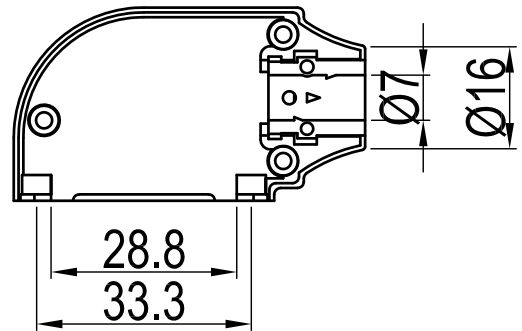
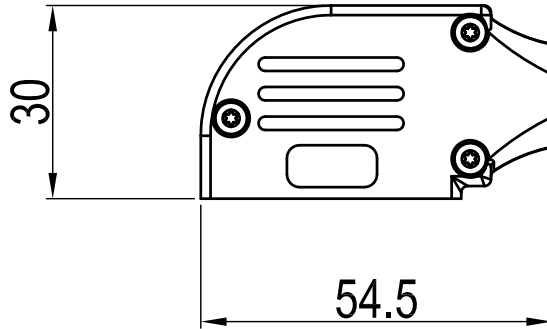
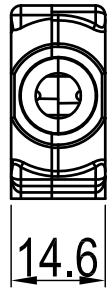


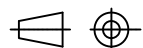
No.	Changes and/or Note NO.	Date	Intr	No	Changes and/or Note NO.	Date	Intr



Part Number:	Description:	Pack:	1	1	Top MHDSCCK-15	Cover
			2	1	Bottom MHDSCCK-15	Cover
6560-0406-32	MHDSCCK-15-K	Kit	3	1	D45ZK-D1	Grommet
			4	2	M3X10	Screw
6561-0406-32	MHDSCCK-15	Bulk				
DATE:	DRAWN:	SCALE:	Item	QTY	Part Number	Description
2008-11-12	YGY					
Auditing:	APPROVED:		REPLACES:			
	MRR					



MHDSCCK-SERIES



DRAWING No: