

TECHNICAL SPECIFICATIONS

Material:

Plastic Hood: PVC
 Metal Hood: SPCC, Nickel over Copper

Operating Temperature: -30°C to +90°C

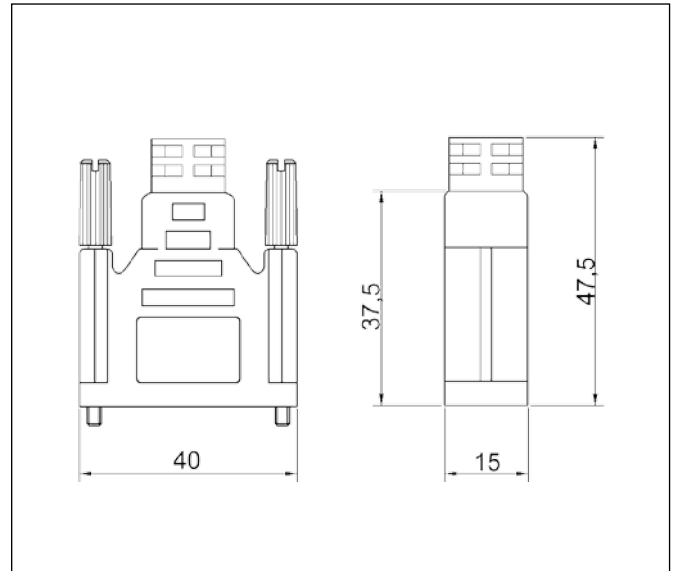
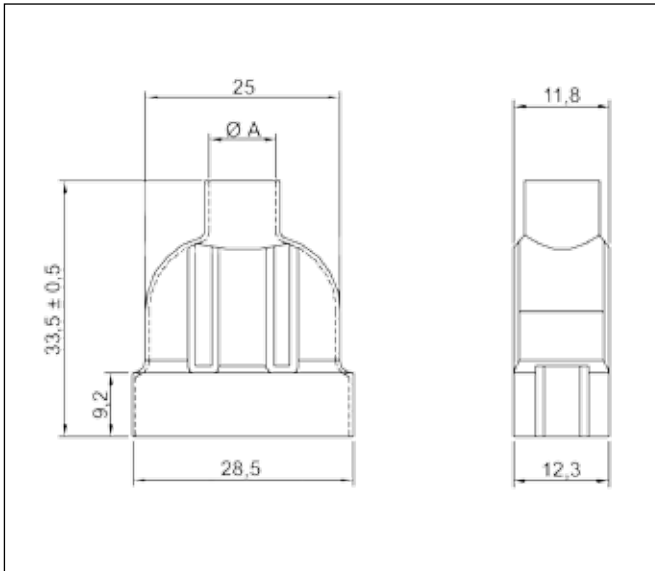
Cable Entry: Top

Thumbscrews: UNC 4-40

Cable Diameter: Up to 11,0 mm



Suitable connector can be found on page 112



Ordering information:

Plastic and Metal Hoods are delivered as Kits.

P/N - BULK:	Product Code:	Cable O.D. (max)	Ø A	Ø B	Note:
3400-0105-01	MHDVI-CM-HA	6,5 mm	6,5	5,5	
3400-0105-02	MHDVI-CM-EB	7,5 mm	7,5	6,5	Commonly ordered Part
3400-0105-03	MHDVI-CM-AD	8,5 mm	8,5	7,5	
3400-0105-04	MHDVI-CM-FF	9,0 mm	9,0	8,8	Commonly ordered Part
3400-0105-05	MHDVI-CM-BE	9,5 mm	9,5	9,0	
3400-0105-06	MHDVI-CM-GG	10,0 mm	10,0	9,5	Commonly ordered Part
3400-0105-07	MHDVI-CM-CH	11,0 mm	11,0	10,0	
3400-0105-08	MHDVI-CM-IH	11,0 mm	11,0	11,0	
3400-0105-09	MHDVI-CM-DI	12,0 mm	12,0	11,0	