

TECHNICAL SPECIFICATIONS

Material:

Connector Housing: Glass-Filled TP BLACK
UL94 V-0 Class

Contacts: Brass

Shell: Steel, Tin-plated over Ni

Electrical Specifications:

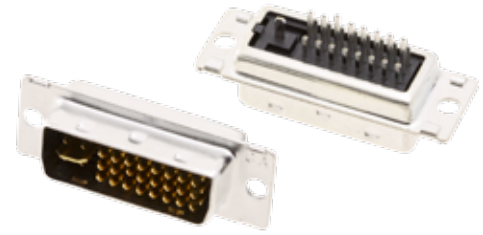
Voltage Rating: 500 V AC R.M.S.

Current Rating: 1,5 Amp

Insulation Resistance: 1000 MΩ Min.

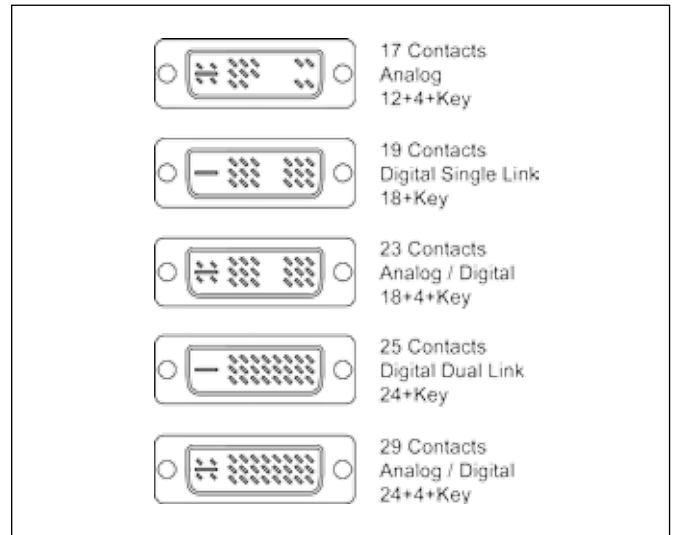
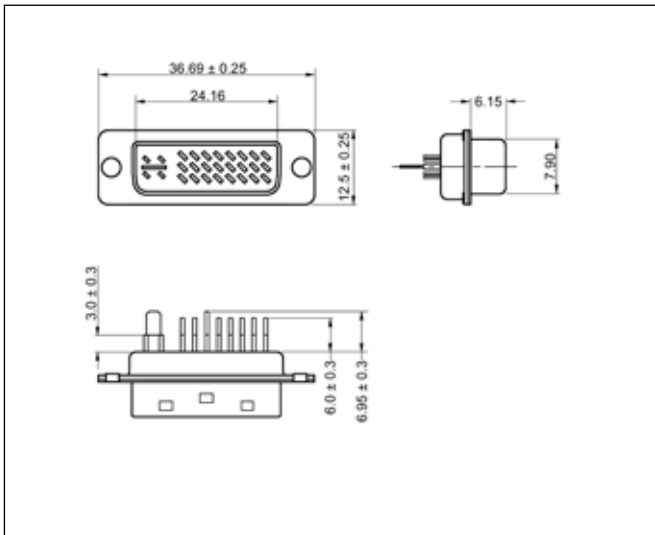
Contact Resistance: 20 mΩ Max. (Initial)

Operating Temperature: -20°C to +85°C



Male Connector

- Suitable for Cable and Hood Mounting



Ordering information:

Size/Type:	Part Number:	Product Code:
17-pin Analog	3401-0101-01	On request
19-pin Digital-S	3401-0101-02	On request
23-pin A/D	3401-0101-03	On request
25-pin Digital-D	3401-0101-04	MHDVI-25-MCD
29-pin A/D	3401-0101-05	MHDVI-29-MCAD

Standard parts are 25 and 29 pins
17, 19 and 23 pins are available on request.

The male MHDVI connector suit Shielded Hood
MHDVI-CM found on page 114.