

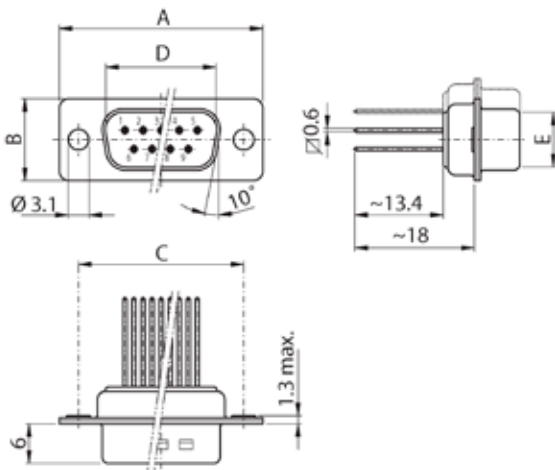
## Wire Wrap

Machined contacts  
 Tinned Shell as Standard  
 Class 2 connector pins as Standard  
 Other Plating and/or class on request.

Technical Information on page 64  
 Mounting options on page 100-108

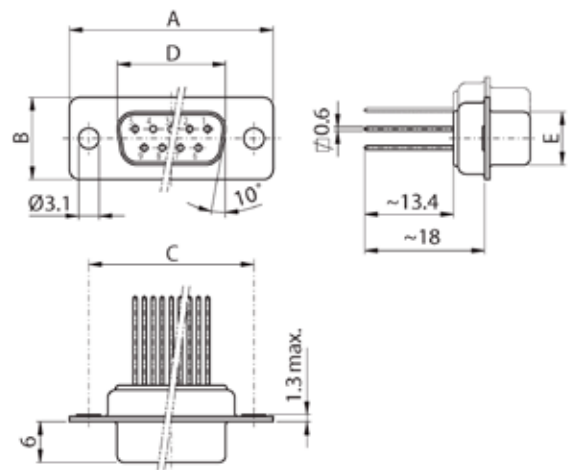


### Plug connector



Size	A	B	C	D	E
09	30.80	12.40	25.00	16.79	08.23
15	39.20	12.40	33.30	25.12	08.23
25	53.10	12.40	47.00	38.84	08.23
37	69.50	12.40	63.50	55.30	08.23
50	67.00	15.40	61.10	52.68	10.95

### Socket connector



Size	A	B	C	D	E
09	30.80	12.40	25.00	16.46	08.02
15	39.20	12.40	33.30	24.79	08.02
25	53.10	12.40	47.00	38.50	08.02
37	69.50	12.40	63.50	54.96	08.02
50	67.00	15.40	61.10	52.55	10.87

## Order Codes:

### Plug Connector

09	3302-0100-01
15	3302-0100-02
25	3302-0100-03
37	3302-0100-04
50	3302-0100-05

### Socket Connector

09	3302-0100-11
15	3302-0100-12
25	3302-0100-13
37	3302-0100-14
50	3302-0100-15