

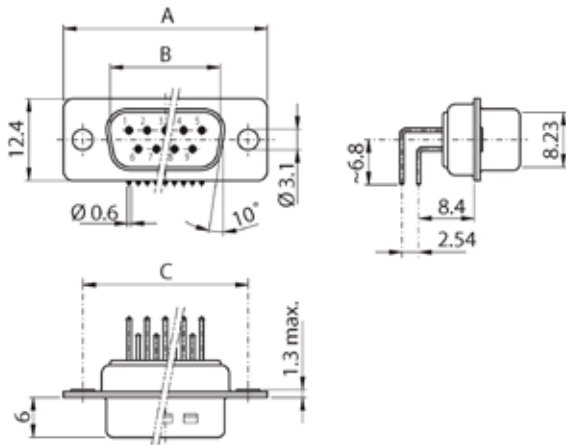
## 90° Angled Solder Pin, 8.4 mm

Machined contacts / Eurostyle  
 Tinned Shell as Standard  
 Class 2 connector pins as Standard  
 Other Plating and/or class on request.

Technical Information on page 64  
 Mounting options on page 100-108

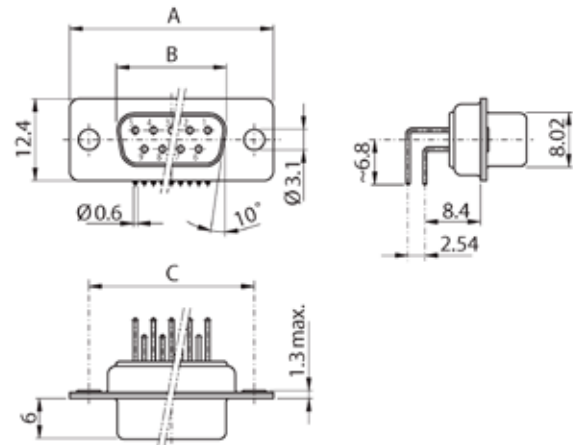


### Plug connector



Size	A	B	C
09	30.80	12.40	25.00
15	39.20	12.40	33.30
25	53.10	12.40	47.00
37	69.50	12.40	63.50
50	67.00	15.40	61.10

### Socket connector



Size	A	B	C
09	30.80	12.40	25.00
15	39.20	12.40	33.30
25	53.10	12.40	47.00
37	69.50	12.40	63.50
50	67.00	15.40	61.10

07

### Order Codes:

#### Plug Connector

09	3301-0600-01
15	3301-0600-02
25	3301-0600-03
37	3301-0600-04
50	3301-0600-05

#### Socket Connector

09	3301-0600-11
15	3301-0600-12
25	3301-0600-13
37	3301-0600-14
50	3301-0600-15