

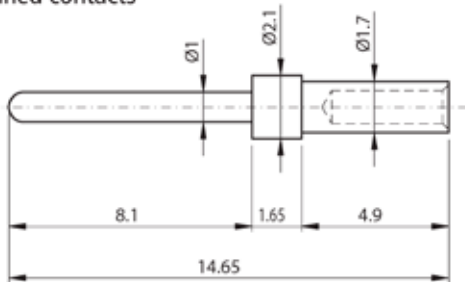
Crimp contacts

Suitable for AWG 24-20 and AWG 28-24
Class 3 as standard. Other classes on request.

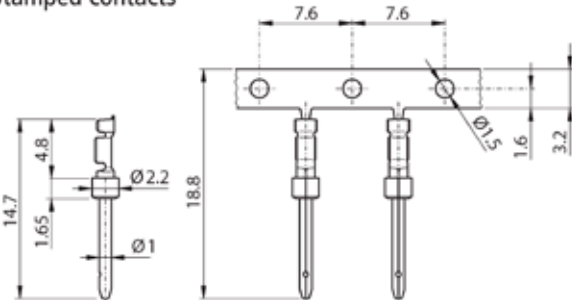


Plug connector

PX Machined contacts

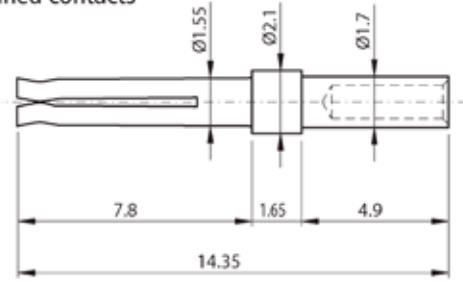


P-XA Stamped contacts

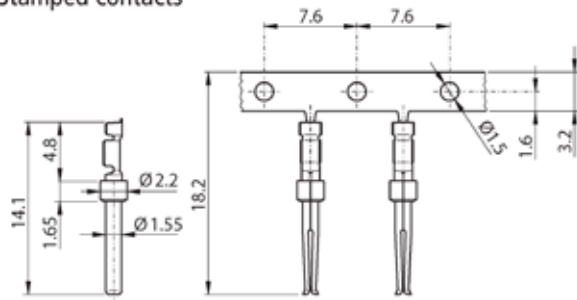


Socket connector

SX Machined contacts



S-XA Stamped contacts



07

Order Codes:

Plug Contacts, Machined

AWG 20-24	0.20–0.60 mm ²	3303-0199-21
AWG 24-28	0.08–0.20 mm ²	3303-0199-22

Socket Contacts, Machined

AWG 20-24	0.20–0.60 mm ²	3303-0199-31
AWG 24-28	0.08–0.20 mm ²	3303-0199-32

Plug Contacts, Stamped & Formed (REEL)

Size:	Direction:	Part No:
AWG 20-24	Left	3303-0199-01
AWG 20-24	Right	3303-0199-41
AWG 24-28	Left	3303-0199-02
AWG 24-28	Right	3303-0199-42

Socket Contacts, Stamped & Formed (REEL)

Size:	Direction:	Part No:
AWG 20-24	Left	3303-0199-11
AWG 20-24	Right	3303-0199-51
AWG 24-28	Left	3303-0199-12
AWG 24-28	Right	3303-0199-52

REEL: Standard 10.000 contacts, class 3