

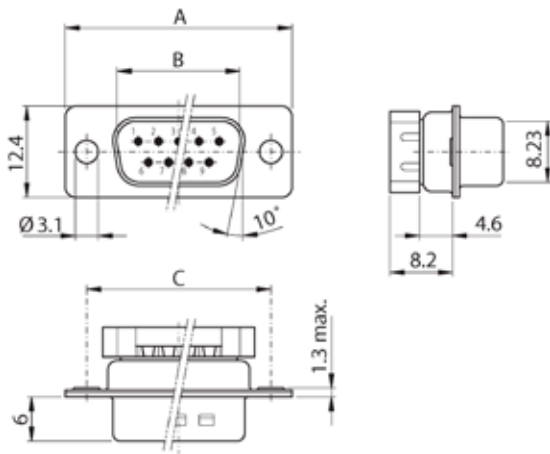
IDC Connectors (Flat Cable)

Stamped & Formed contacts, suitable for AWG 28-26
 Tinned Shell as Standard
 Class 3 connector pins as Standard
 Other Plating and/or class on request.

Technical Information on page 64
 Mounting options on page 100-108

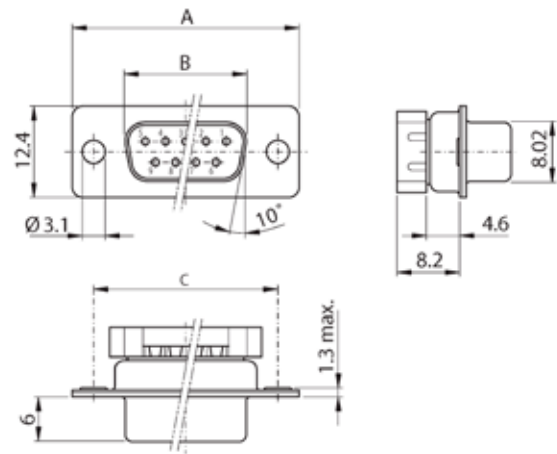


Plug connector



Size	A	B	C
09	30.80	16.79	25.00
15	39.20	25.12	33.30
25	53.10	38.84	47.00
37	69.50	55.30	63.50

Socket connector



Size	A	B	C
09	30.80	16.46	25.00
15	39.20	24.79	33.30
25	53.10	38.50	47.00
37	69.50	54.96	63.50

Order Codes:

Plug Connector

09	3304-0100-01
15	3304-0100-02
25	3304-0100-03
37	3304-0100-04

Socket Connector

09	3304-0100-11
15	3304-0100-12
25	3304-0100-13
37	3304-0100-14

Strain Relief:

09	3304-1000-01
15	3304-1000-02
25	3304-1000-03
37	3304-1000-04

