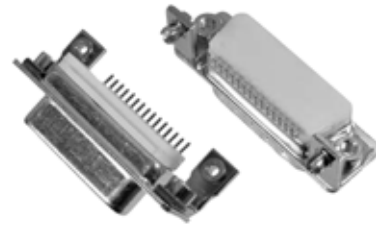


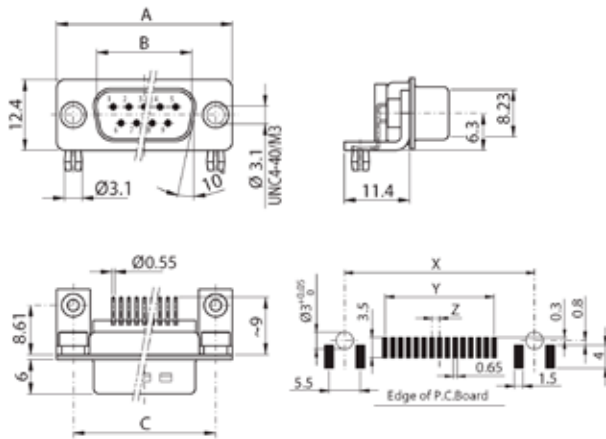
90° SMD Connectors

Machined contacts, Mounting height 6.3 mm
 Tinned Shell as Standard
 Class 2 connector pins as Standard
 Other Plating and/or class on request.

Technical Information on page 64

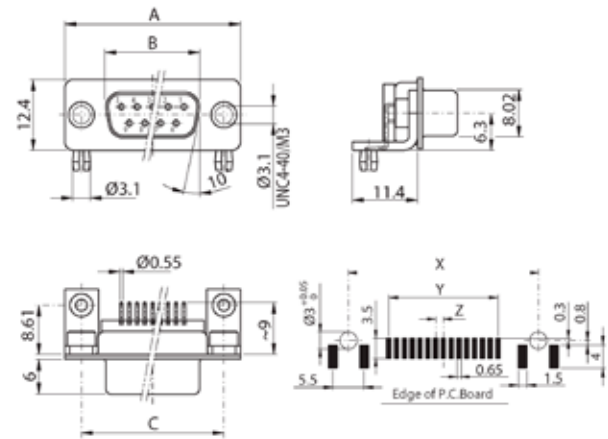


Plug connector



Size	A	B	C/X	Y	Z
09	30.80	16.79	25.00	10.98	1.37
15	39.20	25.12	33.30	19.20	1.37
25	53.10	38.84	47.00	33.12	1.38
37	69.50	55.30	63.50	49.68	1.38

Socket connector



Size	A	B	C/X	Y	Z
09	30.80	16.46	25.00	10.98	1.37
15	39.20	24.79	33.30	19.20	1.37
25	53.10	38.50	47.00	33.12	1.38
37	69.50	54.96	63.50	49.68	1.38

07

Order Codes:

Plug Connector

09	3320-0100-01
15	3320-0100-02
25	3320-0100-03
37	3320-0100-04

Socket Connector

09	3320-0100-11
15	3320-0100-12
25	3320-0100-13
37	3320-0100-14