

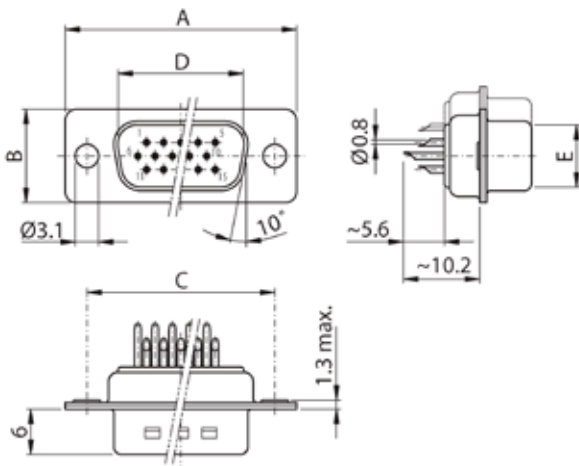
## High-Density Solder Cup

Machined contacts / Suitable cable AWG 20  
 Tinned Shell as Standard  
 Class 2 connector pins as Standard  
 Other Plating and/or class on request.

Technical Information on page 64  
 Mounting options on page 100-108

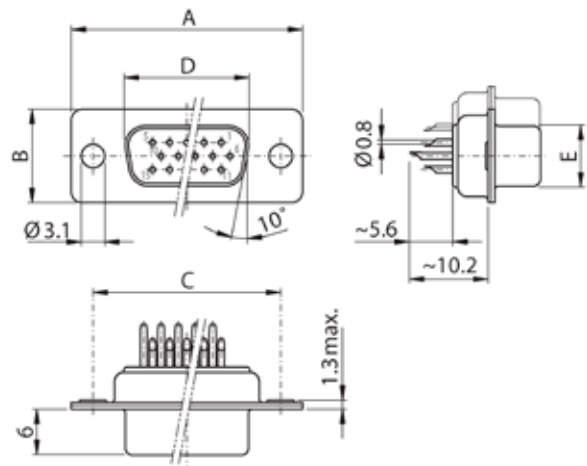


Plug connector



Size	A	B	C	D	E
15	30.80	12.40	25.00	16.79	08.23
26	39.20	12.40	33.30	25.12	08.23
44	53.10	12.40	47.00	38.84	08.23
62	69.50	12.40	63.50	55.30	08.23

Socket connector



Size	A	B	C	D	E
15	30.80	12.40	25.00	16.46	08.02
26	39.20	12.40	33.30	24.79	08.02
44	53.10	12.40	47.00	38.50	08.02
62	69.50	12.40	63.50	54.96	08.02

## Order Codes:

### Plug Connector

15	3301-0110-01
26	3301-0110-02
44	3301-0110-03
62	3301-0110-04

### Socket Connector

15	3301-0110-11
26	3301-0110-12
44	3301-0110-13
62	3301-0110-14