

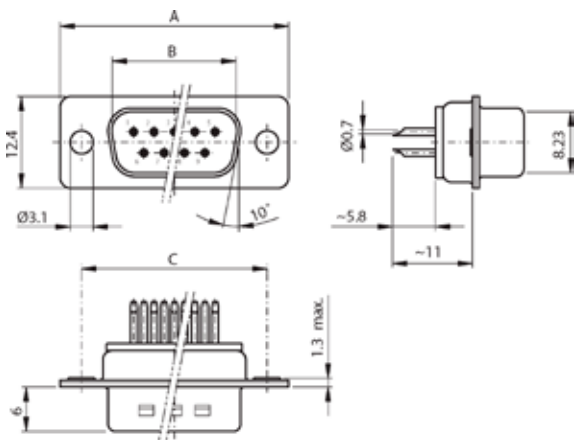
## Solder cup (FP)

Machined contacts / Suitable for cable AWG 22  
 Tinned Shell as Standard  
 Class 2 connector pins as Standard  
 Other class on request.  
 1000pF as standard. Other on request.

Technical Information on page 81  
 Mounting options on page 100-108

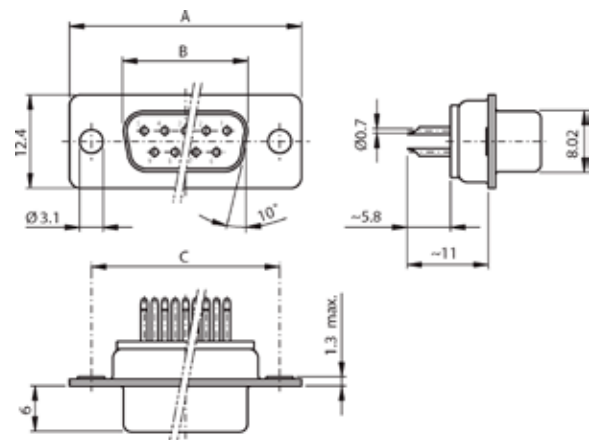


### Plug connector



Size	A	B	C
09	30.80	16.79	25.00
15	39.20	25.12	33.30
25	53.10	38.84	47.00
37	69.50	55.30	63.50

### Socket connector



Size	A	B	C
09	30.80	16.46	25.00
15	39.20	24.79	33.30
25	53.10	38.50	47.00
37	69.50	54.96	63.50

## Order Codes:

### Plug Connector

09	3305-0100-01
15	3305-0100-02
25	3305-0100-03
37	3305-0100-04

### Socket Connector

09	3305-0100-11
15	3305-0100-12
25	3305-0100-13
37	3305-0100-14