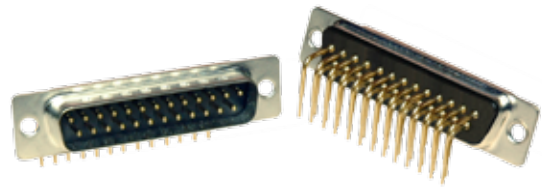


Solder Pin, Angled 9.4 mm (FP)

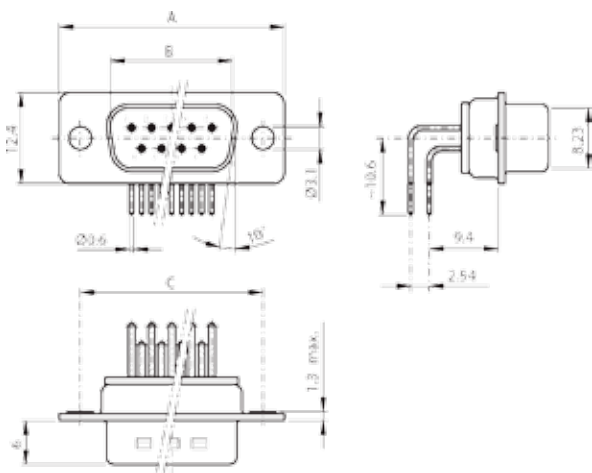
Machined contacts
 Tinned Shell as Standard
 Class 2 connector pins as Standard
 Other class on request.
 1000pF as standard. Other on request.



Available in Tubular Filter Type (FT) on request.

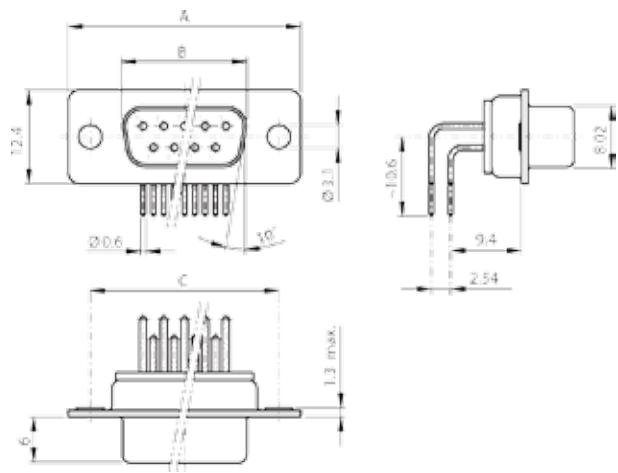
Technical Information on page 81
 Mounting options on page 100-108

Plug connector



Size	A	B	C
09	30.80	16.79	25.00
15	39.20	25.12	33.30
25	53.10	38.84	47.00
37	69.50	55.30	63.50

Socket connector



Size	A	B	C
09	30.80	16.46	25.00
15	39.20	24.79	33.30
25	53.10	38.50	47.00
37	69.50	54.96	63.50

Order Codes:

Plug Connector

09	3305-0300-01
15	3305-0300-02
25	3305-0300-03
37	3305-0300-04

Socket Connector

09	3305-0300-11
15	3305-0300-12
25	3305-0300-13
37	3305-0300-14