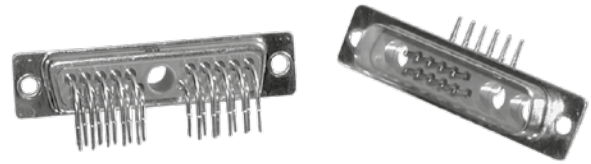


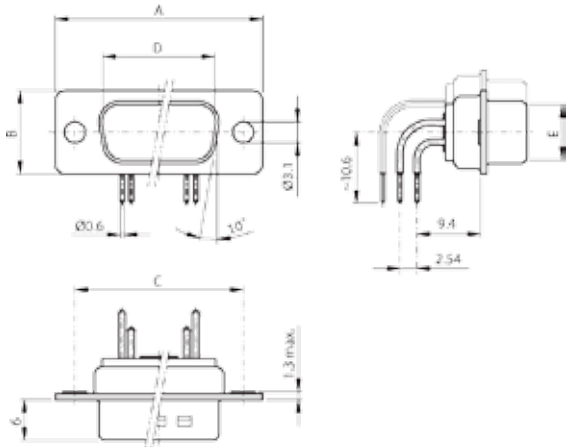
Solder Pin, Angled 9.4 mm

Machined contacts.
 Tinned Shell as Standard.
 Class 2 connector pins as Standard.
 Other Plating and/or class on request.
 Angled 7.18 mm version on request.

Technical Information on page 90-91
 Mounting options on page 100-108

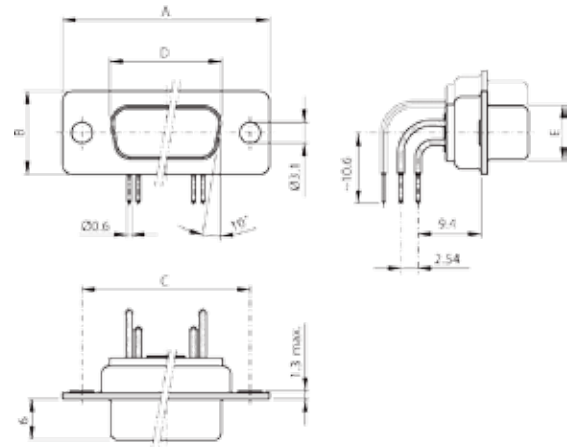


Plug connector



Size	A	B	C	D	E
DE	30.80	12.40	25.00	16.79	08.23
DA	39.20	12.40	33.30	25.12	08.23
DB	53.10	12.40	47.00	38.84	08.23
DC	69.50	12.40	63.50	55.30	08.23
DD	67.00	15.40	61.10	52.68	10.95

Socket connector



Size	A	B	C	D	E
DE	30.80	12.40	25.00	16.46	08.02
DA	39.20	12.40	33.30	24.79	08.02
DB	53.10	12.40	47.00	38.50	08.02
DC	69.50	12.40	63.50	54.96	08.02
DD	67.00	15.40	61.10	52.55	10.87

Order Codes:

Plug Connector

No. Pos:	Special Contacts	Name:	Part No:
05	1	DTS 5W1 PYC	3310-0300-01
02	2	DTS 2W2 PS	3310-0100-02
03	3	DTS 3W3 P	3310-0101-01
03	3	DTS 3W3 PSP	3310-0101-02
07	2	DTS 7W2 PYC	3310-0301-03
11	1	DTS 11W1 PYC	3310-0301-04
05	5	DTS 5W5 P	3310-0102-01
09	4	DTS 9W4 PYC	3310-0302-02
13	3	DTS 13W3 PYC	3310-0302-03
17	2	DTS 17W2 PYC	3310-0302-04
21	1	DTS 21W1 PYC	3310-0302-05
08	8	DTS 8W8 P	3310-0103-01
13	6	DTS 13W6 PYC	3310-0303-02
17	5	DTS 17W5 PYC	3310-0303-03
21	4	DTS 21WA8 PYC	3310-0303-04
25	3	DTS 25W3 PYC	3310-0303-05
27	2	DTS 27W2 PYC	3310-0303-06
24	7	DTS 24W7 PYC	3310-0304-01
36	4	DTS 36W4 PYC	3310-0304-02
43	2	DTS 43W2 PYC	3310-0304-03

Socket Connector

No. Pos:	Special Contacts	Name:	Part No:
05	1	DTS 5W1 SYC	3310-0300-11
02	2	DTS 2W2 SP	3310-0100-12
03	3	DTS 3W3 S	3310-0101-11
03	3	DTS 3W3 SPS	3310-0101-12
07	2	DTS 7W2 SYC	3310-0301-13
11	1	DTS 11W1 SYC	3310-0301-14
05	5	DTS 5W5 S	3310-0102-11
09	4	DTS 9W4 SYC	3310-0302-12
13	3	DTS 13W3 SYC	3310-0302-13
17	2	DTS 17W2 SYC	3310-0302-14
21	1	DTS 21W1 SYC	3310-0302-15
08	8	DTS 8W8 S	3310-0103-11
13	6	DTS 13W6 SYC	3310-0303-12
17	5	DTS 17W5 SYC	3310-0303-13
21	4	DTS 21WA8 SYC	3310-0303-14
25	3	DTS 25W3 SYC	3310-0303-15
27	2	DTS 27W2 SYC	3310-0303-16
24	7	DTS 24W7 SYC	3310-0304-11
36	4	DTS 36W4 SYC	3310-0304-12
43	2	DTS 43W2 SYC	3310-0304-13