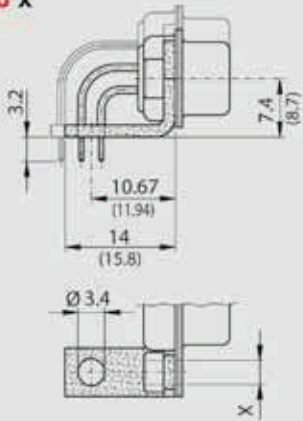


ASSEMBLIES, Mounting Height 7.4 mm

For solder pin 90°, 9.4 mm (YC)

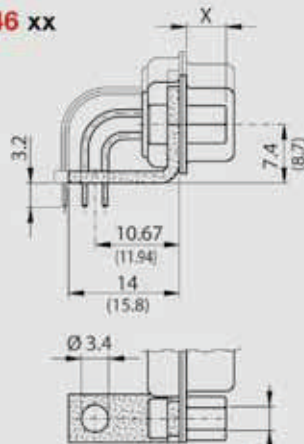
M46 x



Metal Bracket

M46 D3	Rivet	Ø 3.1 mm
M46 UN	Back Nut	UNC 4-40
M46 M3	Back Nut	M3

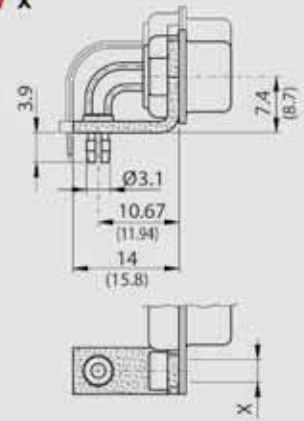
M46 xx



Metal Bracket

M46 UN B5	Back Nut	UNC 4-40
	with Screw, 5 mm thread	
M46 UN B6	Back Nut	UNC 4-40
	with Screw, 6 mm thread	
M46 M3 B5	Back Nut	M3
	with Screw, 5 mm thread	
M46 M3 B6	Back Nut	M3
	with Screw, 6 mm thread	

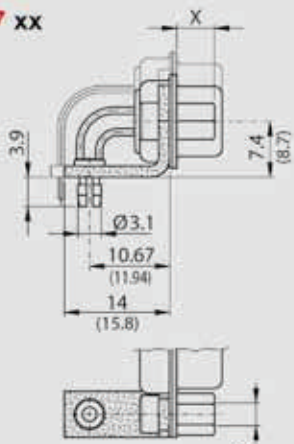
M47 x



Metal Bracket with P.o.F.

M47 D3	Rivet	Ø 3.1 mm
M47 UN	Back Nut	UNC 4-40
M47 M3	Back Nut	M3

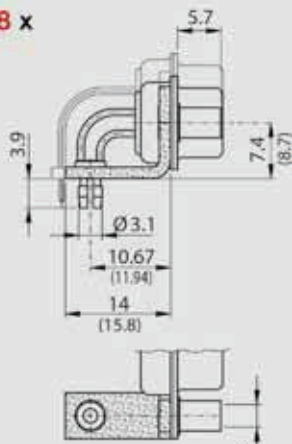
M47 xx



Metal Bracket with P.o.F.

M47 UN B5	Back Nut	UNC 4-40
	with Screw, 5 mm thread	
M47 UN B6	Back Nut	UNC 4-40
	with Screw, 6 mm thread	
M47 M3 B5	Back Nut	M3
	with Screw, 5 mm thread	
M47 M3 B6	Back Nut	M3
	with Screw, 6 mm thread	

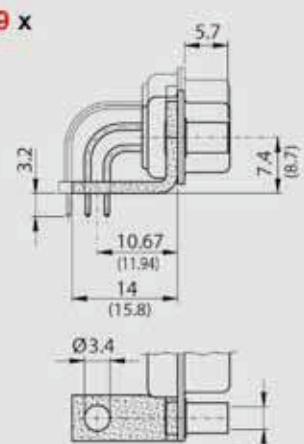
M48 x



Metal Bracket with P.o.F.

M48 UN	Front Nut	UNC 4-40
M48 M3	Front Nut	M3

M49 x



Metal Bracket

M49 UN	Front Nut	UNC 4-40
M49 M3	Front Nut	M3