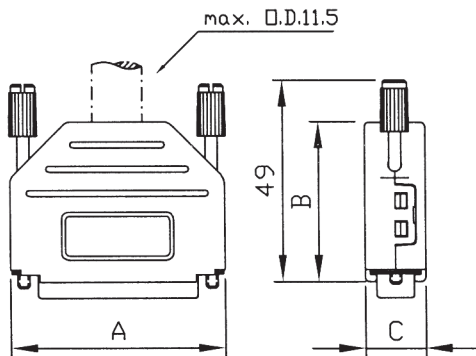


TECHNICAL SPECIFICATIONS

Material: Polyamid UL-recognised
Operating Temperature: -55°C to +110°C
Cable Entry: Top
Thumbscrews: UNC 4-40 (standard)
 M2,5 or M3 upon request
Cable Diameter: Up to 11,5 mm
Accessories: See page 120
Assembly Instruction: See page 144



Size	Dim A	Dim B	Dim C
9-way	31,5	34,0	15,0
15-way	40,0	34,0	15,0
25-way	53,5	34,0	15,0
37-way	70,0	40,0	15,0
50-way	67,5	40,0	15,0

Features:

- Available in sizes 9-15-25-37-50-way
- Suitable for any common Sub-D connector
- Quick-snap locking system
- Standard Colour Black, other colour on request
- Company logo can be moulded on request
- Also available in Metalized Version, See page 12

Ordering information: Standard - Black

Size:	P/N - Kitted:	Product Code:
9-way	6260-0101-01	MHDPPK09-BK-K
15-way	6260-0101-02	MHDPPK15-BK-K
25-way	6260-0101-03	MHDPPK25-BK-K
37-way	6260-0101-04	MHDPPK37-BK-K
50-way	6260-0101-05	MHDPPK50-BK-K

Size:	P/N - BULK:	Product Code:
9-way	6261-0101-01	MHDPPK09-BK
15-way	6261-0101-02	MHDPPK15-BK
25-way	6261-0101-03	MHDPPK25-BK
37-way	6261-0101-04	MHDPPK37-BK
50-way	6261-0101-05	MHDPPK50-BK

