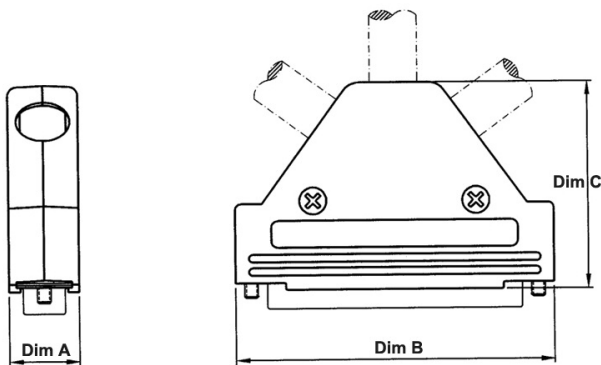




TECHNICAL SPECIFICATIONS

Material: UL 94 V-0 Plastic Material
Operating Temperature: -55°C to +105°C
Cable Entry: Side/Top/Side
Thumbscrews: UNC 4-40 (standard)
 M2,5 or M3,0 on request
Cable Diameter: Up to 11,5 mm



Size MHTRI-M	Dim A	Dim B	Dim C
9-way	15,0	31,0	45,2
15-way	15,0	40,3	45,2
25-way	15,0	53,5	45,2
37-way	15,0	70,0	45,2

Features:

- Available in sizes 9-15-25-37
- All sizes feature 3-Way Entry solution
- Re-openable
- Hood is supplied with 2 Blanking Plates and 2 Strain Relief clamps. Extra Blanking Plates and/or Strain Reliefs are available on request.
- Also available in Unshielded Version, See page 9

Ordering information:

Size:	P/N - Kitted:	Product Code:
9-way	6550-0100-01	MHTRI-M-09-K
15-way	6550-0100-02	MHTRI-M-15-K
25-way	6550-0100-03	MHTRI-M-25-K
37-way	6550-0100-04	MHTRI-M-37-K

Size:	P/N - BULK:	Product Code:
9-way	On Request	
15-way	On Request	
25-way	On Request	
37-way	On Request	