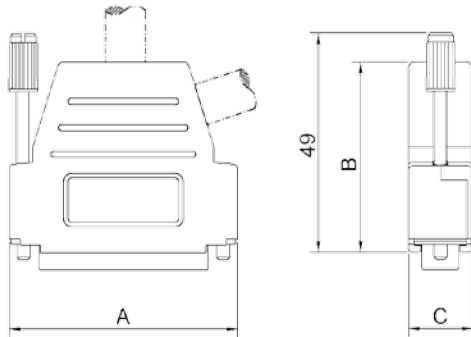


TECHNICAL SPECIFICATIONS

- Material:** UL 94 V-0 Plastic Material
- Plating:** Nickel over Copper
- Operating Temperature:** -55°C to +110°C
- Cable Entry:** Side and Top (L)
Side Only (S)
Top Only (T)
- Thumbscrews:** UNC 4-40 (Standard)
M2,5 or M3 on request
- Cable O.D:** Up to 11,5mm
- Accessories:** See page 186-190
- Assembly Instruction:** See page 194



Size DSSK-T/P	Dim A	Dim B	Dim B	DimC
9-way	31,5	40,0	43,0*	15,0
15-way	40,0	40,0	-	15,0
25-way	53,5	43,0	-	15,0
37-way	71,3	40,0	-	15,0

* Top only

Features:

- Available in sizes 9-15-25-37
- Suitable for any common Sub-D connector
- Quick-snap locking system
- Re-openable
- Company logo available upon request
- Also available in Unshielded Version, See page 8
- Recyclable

Ordering information:

Size:	P/N - Kitted:	Product Code:	L
9-way	6260-0106-01	MHDSSK-M-09-L-K	
15-way	6260-0106-02	MHDSSK-M-15-L-K	
25-way	6260-0106-03	MHDSSK-M-25-L-K	

Size:	P/N - BULK:	Product Code:	L
9-way	6261-0106-01	MHDSSK-M-09-L	
15-way	6261-0106-02	MHDSSK-M-15-L	
25-way	6261-0106-03	MHDSSK-M-25-L	

Size:	P/N - Kitted:	Product Code:	S
9-way	6260-0106-11	MHDSSK-M-09-S-K	
15-way	6260-0106-12	MHDSSK-M-15-S-K	
25-way	6260-0106-13	MHDSSK-M-25-S-K	
37-way	6260-0106-14	MHDSSK-M-37-S-K	

Size:	P/N - BULK:	Product Code:	S
9-way	6261-0106-11	MHDSSK-M-09-S	
15-way	6261-0106-12	MHDSSK-M-15-S	
25-way	6261-0106-13	MHDSSK-M-25-S	
37-way	6261-0106-14	MHDSSK-M-37-S	

Size:	P/N - Kitted:	Product Code:	T
9-way	6260-0106-21	MHDSSK-M-09-T-K	
15-way	6260-0106-22	MHDSSK-M-15-T-K	
25-way	6260-0106-23	MHDSSK-M-25-T-K	

Size:	P/N - BULK:	Product Code:	T
9-way	6261-0106-21	MHDSSK-M-09-T	
15-way	6261-0106-22	MHDSSK-M-15-T	
25-way	6261-0106-23	MHDSSK-M-25-T	