

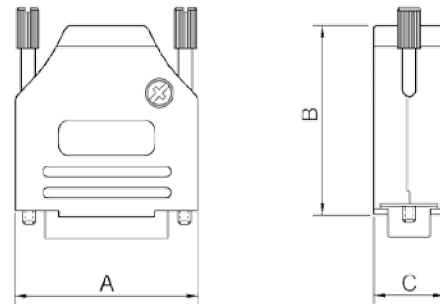
TECHNICAL SPECIFICATIONS

- Material:** Zinc, Black
- Operating Temperature:** -40°C to +120°C
- Cable Entry:** Top Entry
- Thumbscrews:** UNC 4-40 (Standard)
M2,5 or M3 on request
- Cable O.D:** Up to 13mm
- Accessories:** See page 186-190
- Assembly Instruction:** See page 196

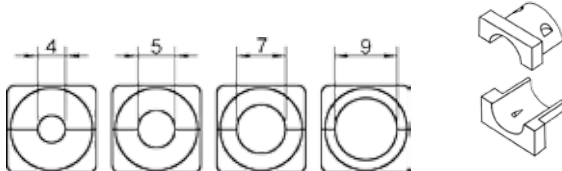


Features:

- Standard Assembly with C-Clip
- Available in sizes 9-15-25-37
- Excellent EMI Shielding
- Re-openable
- Strain relief inserts ensure a secure termination
- Full Metal Jackscrew as standard
- Plastic Cap Jackscrew on request



Grommet Sizes / DTZK09-37:



Size MHDTZK	Dim A	Dim B	Dim C
9-way	31,2	39,9	15,0
15-way	39,5	41,5	15,0
25-way	53,4	48,6	15,0
37-way	69,7	53,6	15,0

Ordering information:

Standard Assembly (C-Clip) Style

Size:	P/N - Kitted:	Product Code:
9-way	6560-0815-01	MHDTZK-9-BK-K
15-way	6560-0815-02	MHDTZK-15-BK-K
25-way	6560-0815-03	MHDTZK-25-BK-K
37-way	6560-0815-04	MHDTZK-37-BK-K

Size:	P/N - BULK:	Product Code:
9-way	6561-0815-01	MHDTZK-9-BK
15-way	6561-0815-02	MHDTZK-15-BK
25-way	6561-0815-03	MHDTZK-25-BK
37-way	6561-0815-04	MHDTZK-37-BK