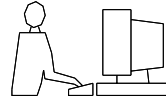


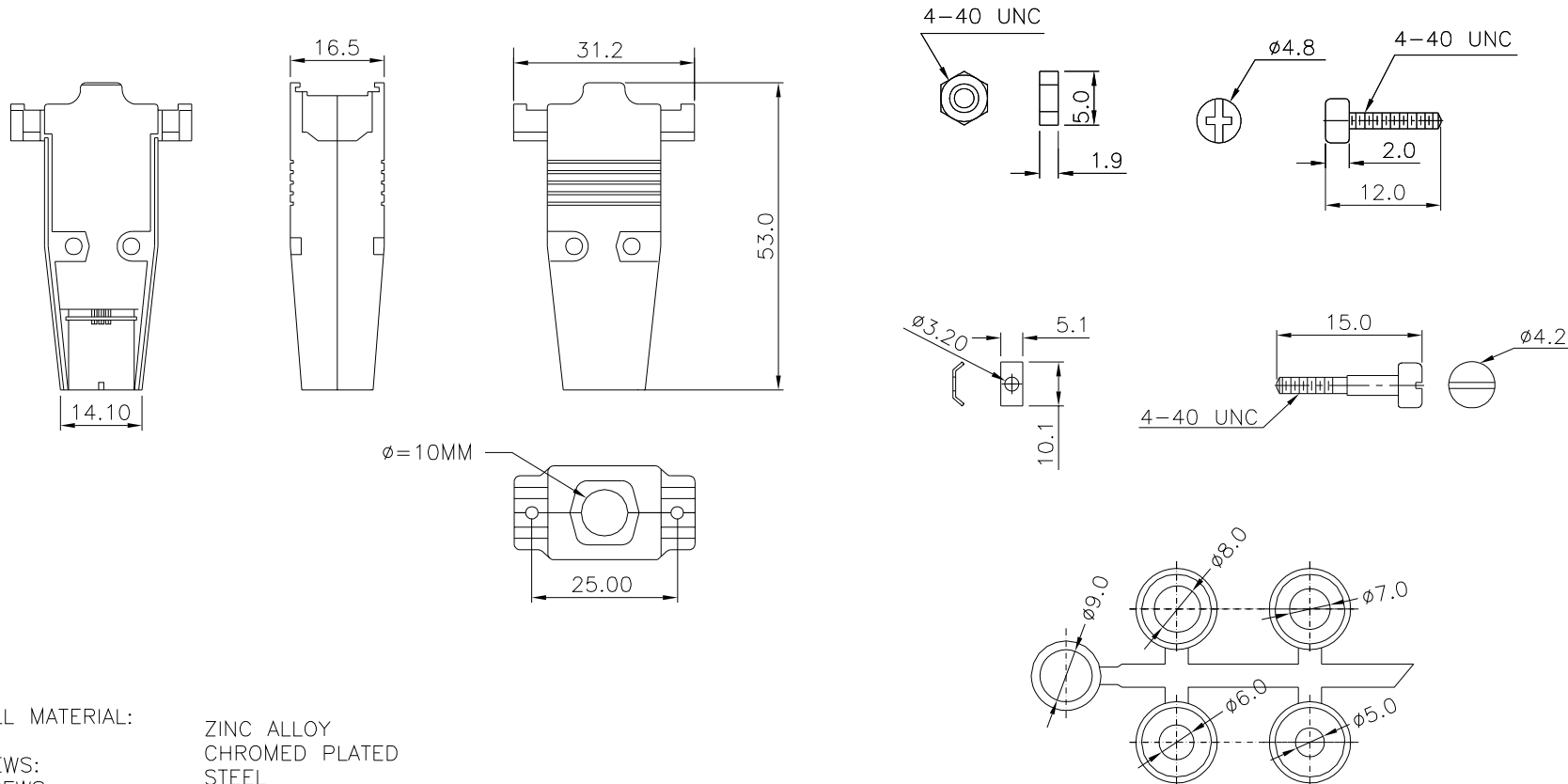
THIS IS A C.A.D. GENERATED DRAWING
DO NOT MAKE MANUAL REVISIONS TO MASTER.



* UNLESS OTHERWISE SPECIFIED TOLERANCES
ON DECIMAL IS: ANGLE ± 1°
UNIT: MM X. ± 0.5
.X ± 0.3
.XX ± 0.2

BACKSHELL KIT INCLUDES:

- (2)BACKSHELL HALVES
- (2)4-40 SHELLSCREWS
- (2)NUTS
- (2)CLAMPS
- (2)4-40 SHORT JACKSCREW(ME-VERSION)
- (1)SET OF COMPRESSION INSERTS-VARIOUS SIZES DIAMETERS 5mm,6mm,7mm,8mm,9mm



BACKSHELL MATERIAL: ZINC ALLOY
PLATING: CHROMED PLATED
JACKSCREWS: STEEL
SHELLSCREWS: STEEL

THESE DRAWINGS AND SPECIFICATIONS ARE THE PROPERTY OF MH CONNECTORS LTD. AND SHALL NOT BE REPRODUCED, COPIED OR USED AS THE BASIS FOR THE MANUFACTURE OR SALE OF APPARATUS WITHOUT WRITTEN PERMISSION.

DRAWN Change zhang		DATE 11-18-16
APPROVED Victor Lin		DATE 11-18-16
SCALE	SHEET OF 1 OF 1	REV: 1.0
DRAWING No MHCCOV9-ME-RG		

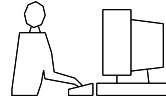


THIS SERIES FULLY CONFORMS TO THE EUROPEAN UNION DIRECTIVES 2002/95/EC AND 2002/96/EC FOR RoHS COMPLIANCY.



MH CONNECTORS,
DIVISION OF EDAC

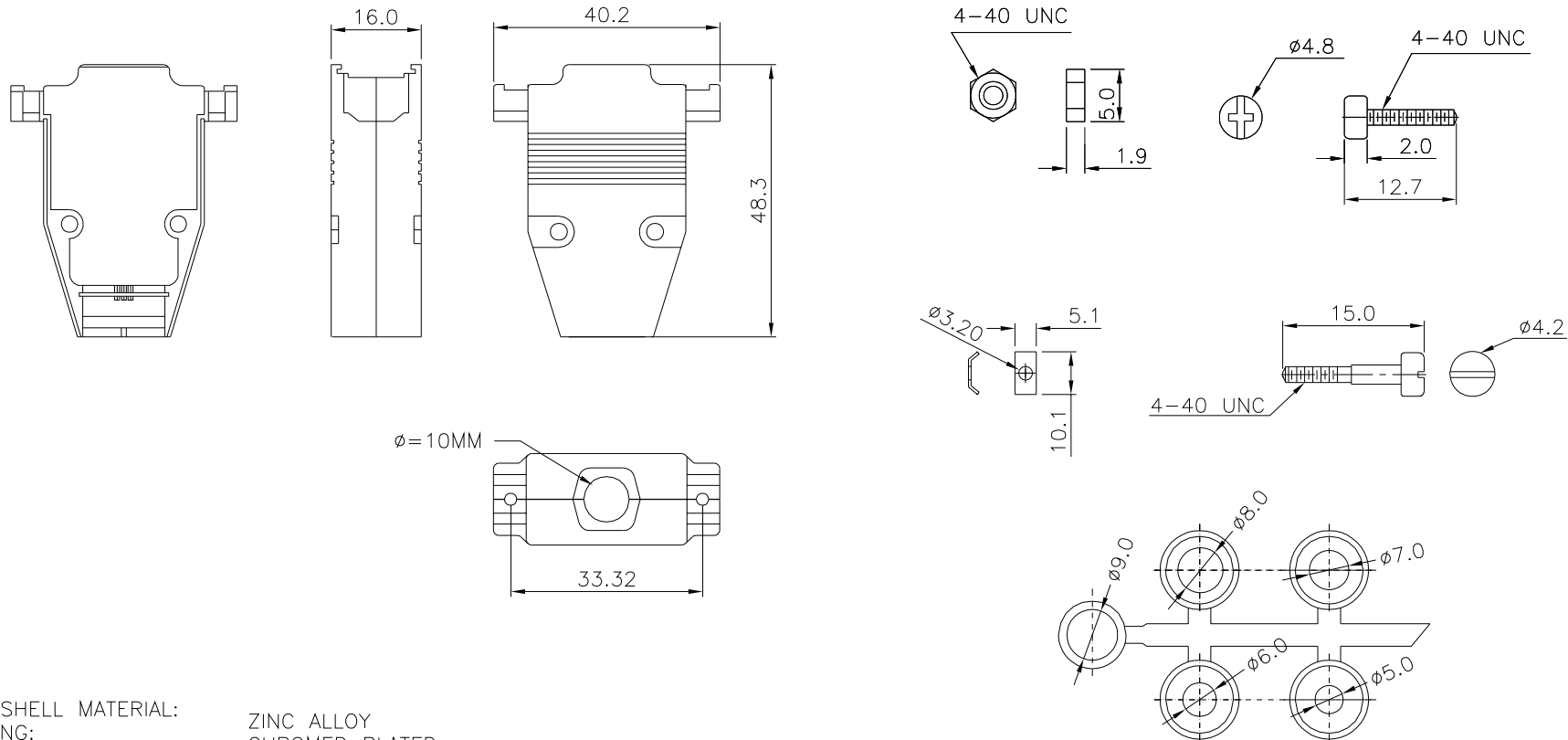
THIS IS A C.A.D. GENERATED DRAWING
DO NOT MAKE MANUAL REVISIONS TO MASTER.



* UNLESS OTHERWISE SPECIFIED TOLERANCES
ON DECIMAL IS: ANGLE $\pm 1'$
UNIT: MM X. ± 0.5
.X ± 0.3
.XX ± 0.2

BACKSHELL KIT INCLUDES:

- (2)BACKSHELL HALVES
- (2)4-40 SHELLSCREWS
- (2)NUTS
- (2)CLAMPS
- (2)4-40 SHORT JACKSCREW(ME-VERSION)
- (1)SET OF COMPRESSION INSERTS-VARIOUS SIZES DIAMETERS 5mm,6mm,7mm,8mm,9mm



BACKSHELL MATERIAL: ZINC ALLOY
PLATING: CHROMED PLATED
JACKSCREWS: STEEL
SHELLSCREWS: STEEL

THESE DRAWINGS AND SPECIFICATIONS ARE THE PROPERTY OF MH CONNECTORS LTD. AND SHALL NOT BE REPRODUCED, COPIED OR USED AS THE BASIS FOR THE MANUFACTURE OR SALE OF APPARATUS WITHOUT WRITTEN PERMISSION.

DRAWN Change zhang	DATE 11-18-16
------------------------------	-------------------------

APPROVED Victor Lin	DATE 11-18-16
-------------------------------	-------------------------

SCALE	SHEET OF 1 OF 1	REV: 1.0
--------------	---------------------------	--------------------

DRAWING No
MHCCOV15-ME-RG

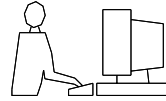


THIS SERIES FULLY CONFORMS TO THE EUROPEAN UNION DIRECTIVES 2002/95/EC AND 2002/96/EC FOR RoHS COMPLIANCY.



**MH CONNECTORS ,
DIVISION OF EDAC**

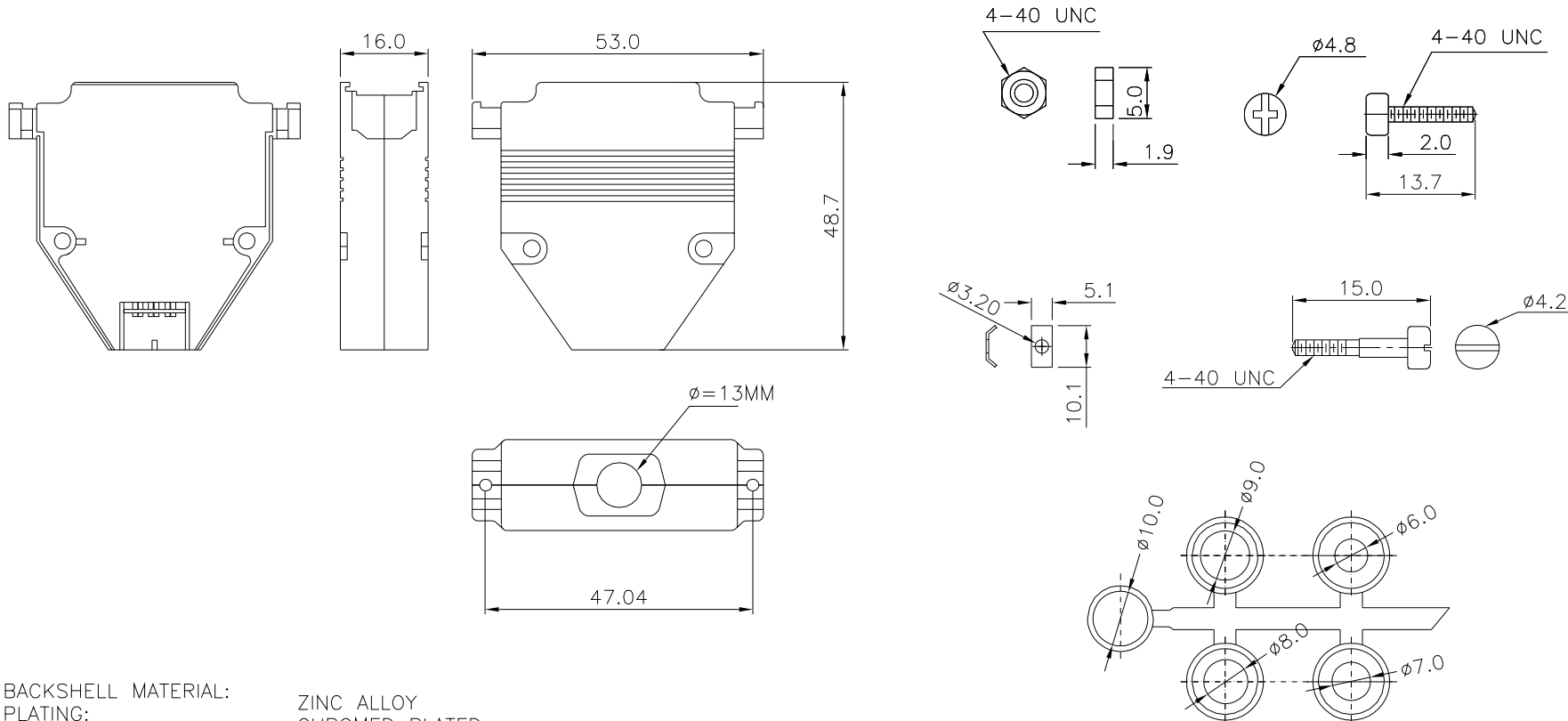
THIS IS A C.A.D. GENERATED DRAWING
DO NOT MAKE MANUAL REVISIONS TO MASTER.



* UNLESS OTHERWISE SPECIFIED TOLERANCES
ON DECIMAL IS: ANGLE $\pm 1'$
UNIT: MM X. ± 0.5
.X ± 0.3
.XX ± 0.2

BACKSHELL KIT INCLUDES:

- (2)BACKSHELL HALVES
- (2)4-40 SHELLSCREWS
- (2)NUTS
- (2)CLAMPS
- (2)4-40 SHORT JACKSCREW(ME-VERSION)
- (1)SET OF COMPRESSION INSERTS-VARIOUS SIZES DIAMETERS 6mm,7mm,8mm,9mm,10mm



BACKSHELL MATERIAL: ZINC ALLOY
PLATING: CHROMED PLATED
JACKSCREWS: STEEL
SHELLSCREWS: STEEL

THESE DRAWINGS AND SPECIFICATIONS ARE THE PROPERTY OF MH CONNECTORS LTD. AND SHALL NOT BE REPRODUCED, COPIED OR USED AS THE BASIS FOR THE MANUFACTURE OR SALE OF APPARATUS WITHOUT WRITTEN PERMISSION.			DRAWN	DATE
			Change zhang	11-18-16
			APPROVED	DATE
			Victor Lin	11-18-16
SCALE	SHEET OF	REV:		
	1 OF 1	1.0		
DRAWING No MHCCOV25-ME-RG				

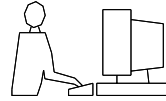


THIS SERIES FULLY CONFORMS TO THE
EUROPEAN UNION DIRECTIVES 2002/95/EC
AND 2002/96/EC FOR RoHS COMPLIANCY.



MH CONNECTORS,
DIVISION OF EDAC

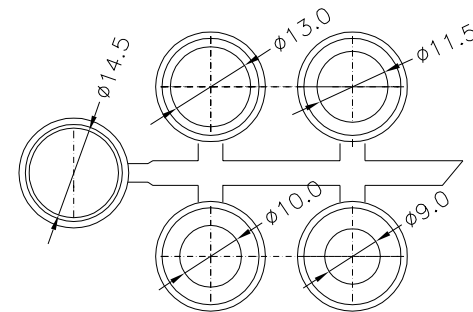
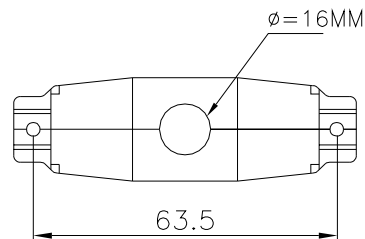
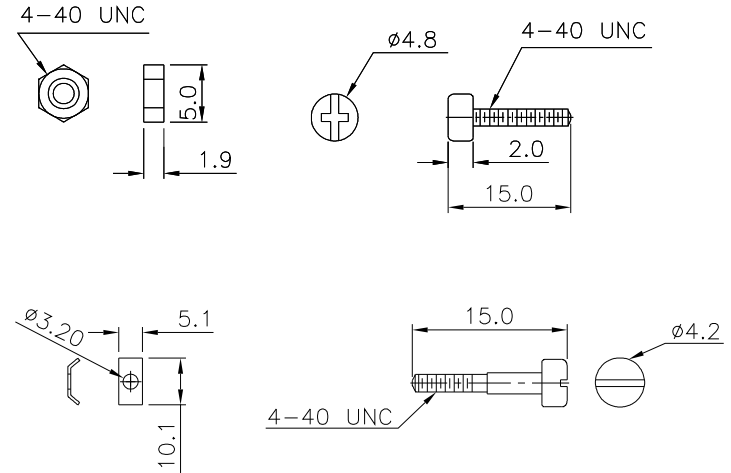
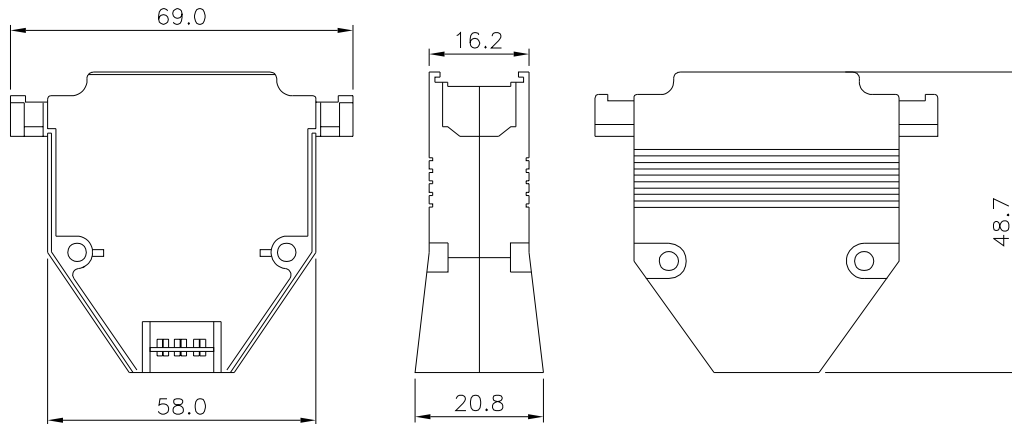
THIS IS A C.A.D. GENERATED DRAWING
DO NOT MAKE MANUAL REVISIONS TO MASTER.



* UNLESS OTHERWISE SPECIFIED TOLERANCES
ON DECIMAL IS: ANGLE ± 1°
UNIT: MM X. ± 0.5
.X ± 0.3
.XX ± 0.2

BACKSHELL KIT INCLUDES:

- (2) BACKSHELL HALVES
- (2) 4-40 SHELLSCREWS
- (2) NUTS
- (2) CLAMPS
- (2) 4-40 SHORT JACKSCREW (ME-VERSION)
- (1) SET OF COMPRESSION INSERTS-VARIOUS SIZES DIAMETERS 9mm, 10mm, 11.5mm, 13mm, 14.5mm



BACKSHELL MATERIAL: ZINC ALLOY
PLATING: CHROMED PLATED
JACKSCREWS: STEEL
SHELLSCREWS: STEEL

THESE DRAWINGS AND SPECIFICATIONS ARE THE PROPERTY OF MH CONNECTORS LTD. AND SHALL NOT BE REPRODUCED, COPIED OR USED AS THE BASIS FOR THE MANUFACTURE OR SALE OF APPARATUS WITHOUT WRITTEN PERMISSION.

DRAWN Change zhang	DATE 11-18-16
------------------------------	-------------------------

APPROVED Victor Lin	DATE 11-18-16
-------------------------------	-------------------------



THIS SERIES FULLY CONFORMS TO THE EUROPEAN UNION DIRECTIVES 2002/95/EC AND 2002/96/EC FOR RoHS COMPLIANCY.

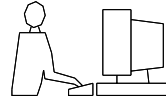


MH CONNECTORS,
DIVISION OF EDAC

SCALE	SHEET OF 1 OF 1	REV: 1.0
--------------	---------------------------	--------------------

DRAWING No
MHCCOV37-ME-RG

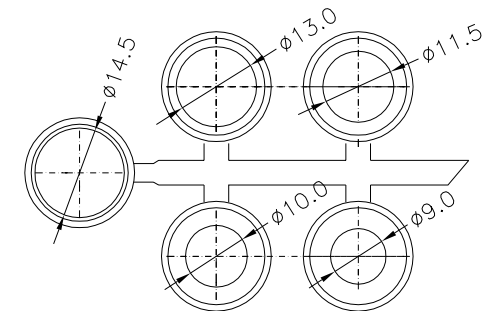
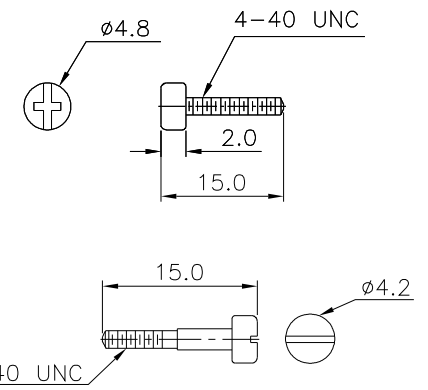
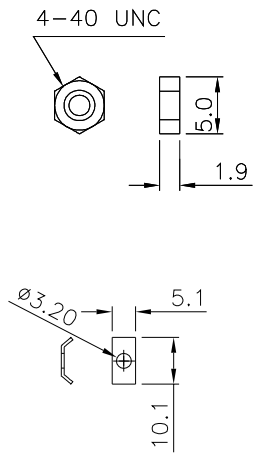
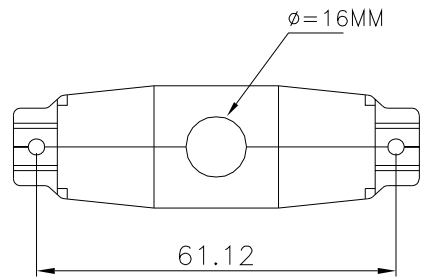
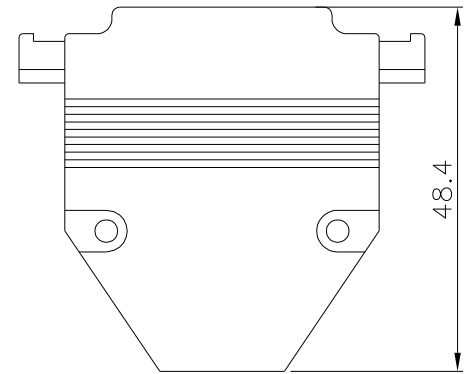
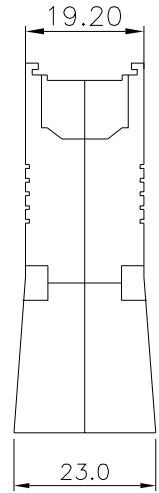
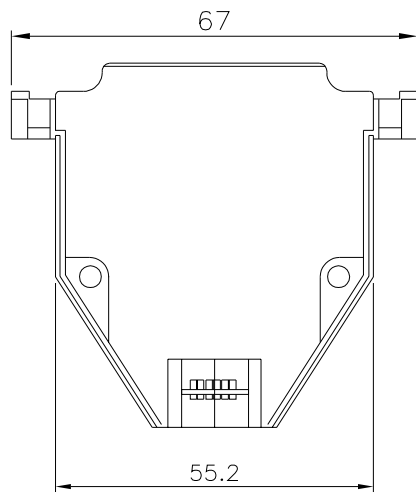
THIS IS A C.A.D. GENERATED DRAWING
DO NOT MAKE MANUAL REVISIONS TO MASTER.



* UNLESS OTHERWISE SPECIFIED TOLERANCES
ON DECIMAL IS: ANGLE ± 1°
UNIT: MM X ± 0.5
.X ± 0.3
.XX ± 0.2

BACKSHELL KIT INCLUDES:

- (2) BACKSHELL HALVES
- (2) 4-40 SHELLSCREWS
- (2) NUTS
- (2) CLAMPS
- (2) 4-40 SHORT JACKSCREW (ME-VERSION)
- (1) SET OF COMPRESSION INSERTS—VARIOUS SIZES DIAMETERS 9mm, 10mm, 11.5mm, 13mm, 14.5mm



BACKSHELL MATERIAL: ZINC ALLOY
PLATING: CHROMED PLATED
JACKSCREWS: STEEL
SHELLSCREWS: STEEL

THESE DRAWINGS AND SPECIFICATIONS ARE THE PROPERTY OF MH CONNECTORS LTD. AND SHALL NOT BE REPRODUCED, COPIED OR USED AS THE BASIS FOR THE MANUFACTURE OR SALE OF APPARATUS WITHOUT WRITTEN PERMISSION.

DRAWN	DATE
Change zhang	11-18-16

APPROVED	DATE
Victor Lin	11-18-16



THIS SERIES FULLY CONFORMS TO THE EUROPEAN UNION DIRECTIVES 2002/95/EC AND 2002/96/EC FOR RoHS COMPLIANCY.



MH CONNECTORS,
DIVISION OF EDAC

SCALE	SHEET OF	REV:
	1 OF 1	1.0

DRAWING No
MHCCOV50-ME-RG