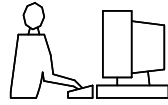


THIS IS A C.A.D. GENERATED DRAWING
DO NOT MAKE MANUAL REVISIONS TO MASTER.

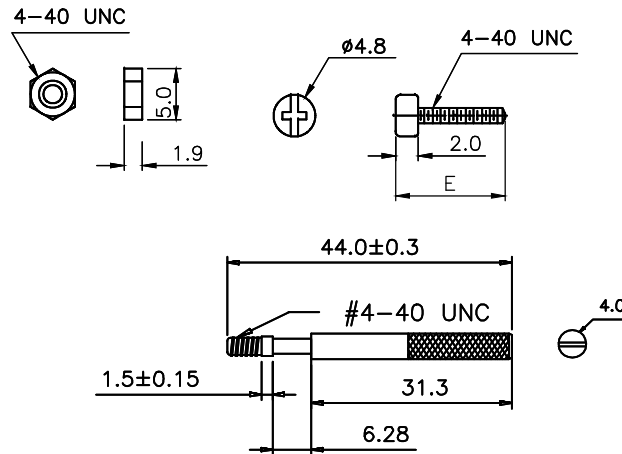
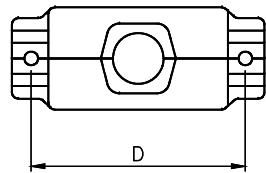
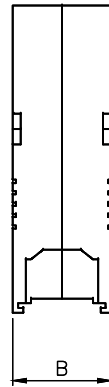
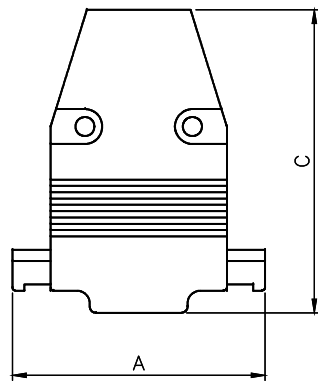


* UNLESS OTHERWISE SPECIFIED TOLERANCES
ON DECIMAL IS: ANGLE $\pm 1^\circ$

UNIT: MM X ± 0.5
 .X ± 0.3
 .XX ± 0.2

BACKSHELL KIT INCLUDES:

- (2)BACKSHELL HALVES
- (2)4-40 SHELLSCREWS
- (2)NUTS
- (2)4-40 LONG JACKSCREW(MEL-VERSION)



DIMENSIONS(mm/in)

SIZE	A ± 0.30 ± 0.012	B ± 0.30 ± 0.012	C ± 0.30 ± 0.012	D ± 0.25 ± 0.01	E ± 0.30 ± 0.012
9	31.0	16.0	47.0	24.99	12.0
	1.22	0.63	1.85	0.984	0.472
15	40.2	16.0	48.3	33.32	12.7
	1.58	0.63	1.90	1.312	0.5
25	53.0	16.0	48.7	47.04	14.0
	2.09	0.63	1.92	1.852	0.551
37	69.0	16.2	48.7	63.50	15.0
	2.72	0.64	1.92	2.500	0.591
50	67.0	19.7	48.4	61.12	15.0
	2.64	0.78	1.91	2.406	0.591

ORDERING INFORMATION:

(LONG JACKSCREW)

SIZE	P/N - KITTED	PRODUCT CODE
9-WAY	2360-0106-11	MHCCOV 9-MEL
15-WAY	2360-0106-12	MHCCOV15-MEL
25-WAY	2360-0106-13	MHCCOV25-MEL
37-WAY	2360-0106-14	MHCCOV37-MEL
50-WAY	2360-0106-15	MHCCOV50-MEL

BACKSHELL MATERIAL:

PLATING:

JACKSCREWS:

SHELLSCREWS:

NUTS:

OPERATING TEMP:

ZINC ALLOY

CHROMATE PLATED

STEEL WITH NICKEL PLATED

STEEL WITH NICKEL PLATED

STEEL WITH NICKEL PLATED

-40°C TO+120°C

THESE DRAWINGS AND SPECIFICATIONS ARE THE PROPERTY OF MH CONNECTORS LTD. AND SHALL NOT BE REPRODUCED, COPIED OR USED AS THE BASIS FOR THE MANUFACTURE OR SALE OF APPARATUS WITHOUT WRITTEN PERMISSION.

DRAWN: JOHNNY DATE: 07-09-13

APPROVED: DAMIEN DATE: 07-10-13

SCALE: SHEET OF: 1 OF 1 REV: 3.0

DRAWING No: MHCCOVXX-MEL



THIS SERIES FULLY CONFORMS TO THE EUROPEAN UNION DIRECTIVES 2002/95/EC AND 2002/96/EC FOR RoHS COMPLIANCY.



MH CONNECTORS LTD.