

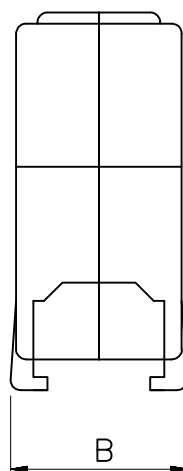
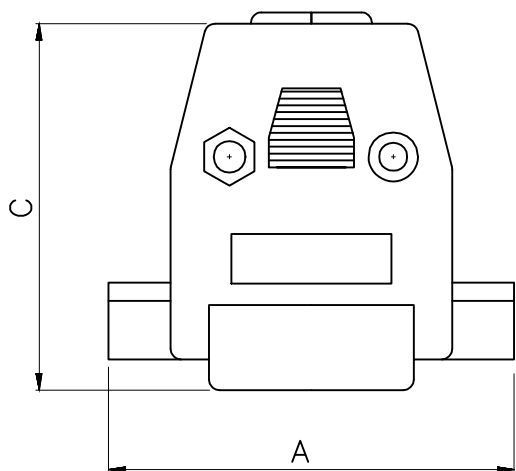
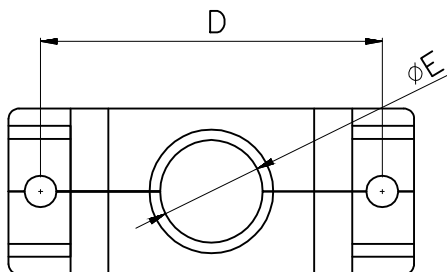
THIS IS A C.A.D. GENERATED DRAWING
DO NOT MAKE MANUAL REVISIONS TO MASTER.



* UNLESS OTHERWISE SPECIFIED TOLERANCES
ON DECIMAL IS: ANGLE $\pm 5^\circ$
UNIT: MM

BACKSHELL KIT INCLUDES:

- (2)BACKSHELL HALVES
- (2)HOUSING SCREW
- (2)MATING SCREW
- (2)CRIMP SCREW
- (2)NUT
- (2)CRIMP



DIMENSIONS(mm/in)					
SIZE	A ± 0.3 ± 0.012	B ± 0.3 ± 0.012	C ± 0.3 ± 0.012	D ± 0.3 ± 0.012	E ± 0.3 ± 0.012
9	31.0	16.0	39.2	24.99	7.0
	1.221	0.630	1.543	0.984	0.276
15	39.6	17.3	35.8	33.3	10.0
	1.559	0.681	1.410	1.311	0.394
25	54.2	16.8	42.0	47.1	11.0
	2.134	0.662	1.654	1.854	0.433
37	69.0	20.0	51.0	63.5	13.8
	2.717	0.787	2.008	2.500	0.543
50	69.5	19.2	43.9	61.0	17.7
	2.736	0.756	1.729	2.402	0.697

ORDERING INFORMATION - LONG JACKSCREWS

SIZE	P/N - KITTED	PRODUCT CODE
9-WAY	2360-0105-11	MHCCOV 9-SCL-MP
15-WAY	2360-0105-12	MHCCOV15-SCL-MP
25-WAY	2360-0105-13	MHCCOV25-SCL-MP
37-WAY	2360-0105-14	MHCCOV37-SCL-MP
50-WAY	2360-0105-15	MHCCOV50-SCL-MP

INSULATOR:
FINISHED:
SCREW:
NUT:
CRIMP:
INSULATOR COLOR:

ABS UL94HB
CHROMATE PLATED
STEEL, NICKEL PLATED
STEEL, NICKEL PLATED
STEEL, NICKEL PLATED
MP=METALIZED

THESE DRAWINGS AND SPECIFICATIONS ARE THE PROPERTY OF MH CONNECTORS LTD. AND SHALL NOT BE REPRODUCED, COPIED OR USED AS THE BASIS FOR THE MANUFACTURE OR SALE OF APPARATUS WITHOUT WRITTEN PERMISSION.

DRAWN
HALEY
DATE
01-02-14

APPROVED
DAMIEN
DATE
01-03-14

SCALE
SHEET OF
1 OF 1
REV:
3.0

DRAWING No
MHCCOVXX-SCL-MP



THIS SERIES FULLY CONFORMS TO THE EUROPEAN UNION DIRECTIVES 2002/95/EC AND 2002/96/EC FOR RoHS COMPLIANCY.



MH CONNECTORS LTD.