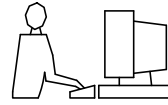


THIS IS A C.A.D. GENERATED DRAWING
DO NOT MAKE MANUAL REVISIONS TO MASTER.



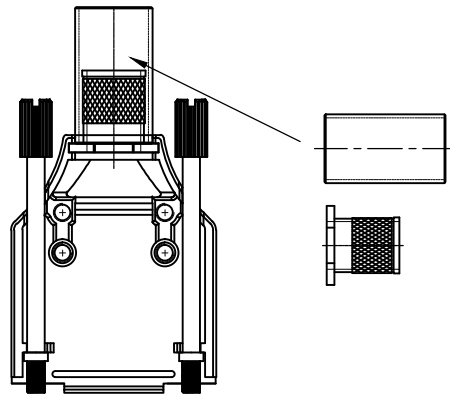
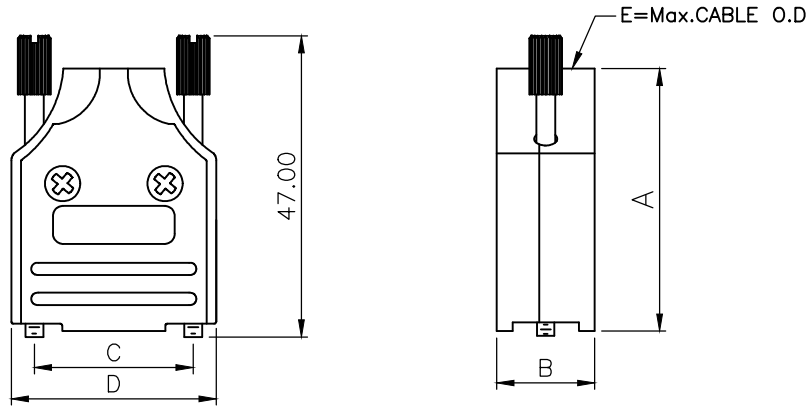
* UNLESS OTHERWISE SPECIFIED TOLERANCES
ON DECIMAL IS: ANGLE $\pm 1^\circ$
UNIT: MM .XX ± 0.50

BACKSHELL KIT INCLUDES:

- (2)BACKSHELL HALVES
- (2)HOUSING SCREWS
- (2)4-40 THUMBSCREWS

EXTRA OPTION:

- (1)SET OF FERRULES-VARIOUS SIZE FOR 9-37
DIAMETERS 5.3mm,6.0mm,7.0mm,7.5mm,8.6mm.



DIMENSIONS(mm/in)					
SIZE	A ± 0.30 ± 0.012	B ± 0.50 ± 0.020	C ± 0.25 ± 0.010	D ± 1.3 ± 0.051	E
9	41.3	15.4	24.99	32.2	13.0
	1.626	0.606	0.984	1.268	0.512
15	43.3	15.4	33.32	40.6	13.0
	1.705	0.606	1.312	1.598	0.512
25	49.5	15.4	47.04	54.5	13.0
	1.949	0.606	1.852	2.146	0.512
37	54.3	15.4	63.50	70.7	13.0
	2.138	0.606	2.500	2.783	0.512

ORDERING INFORMATION:

SIZE	P/N - KITTED	PRODUCT CODE
9-WAY	6560-0135-01	MHC-9-K
15-WAY	6560-0135-02	MHC-15-K
25-WAY	6560-0135-03	MHC-25-K
37-WAY	6560-0135-04	MHC-37-K

BACKSHELL MATERIAL:
PLATING:
4-40 THUMBSCREWS:
HOUSING SCREWS:
FERRULES:
FERRULES:
OPERATING TEMP:

DIE CAST ZINC ALLOY
NICKEL PLATED
STEEL-Zn PLATED
STEEL-Zn PLATED
ALUMINUM
STEEL
-40°C TO+120°C

THESE DRAWINGS AND SPECIFICATIONS ARE THE PROPERTY OF MH CONNECTORS LTD. AND SHALL NOT BE REPRODUCED, COPIED OR USED AS THE BASIS FOR THE MANUFACTURE OR SALE OF APPARATUS WITHOUT WRITTEN PERMISSION.

DRAWN
JOHNNY
DATE
01-06-14

APPROVED
DAMIEN
DATE
03-27-14

SCALE
1:1
SHEET OF
1 OF 1
REV:
7.0

DRAWING No
MHCXX-K



THIS SERIES FULLY CONFORMS TO THE EUROPEAN UNION DIRECTIVES 2002/95/EC AND 2002/96/EC FOR RoHS COMPLIANCY.



MH CONNECTORS LTD.