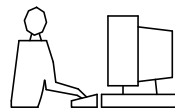


THIS IS A C.A.D. GENERATED DRAWING
DO NOT MAKE MANUAL REVISIONS TO MASTER.

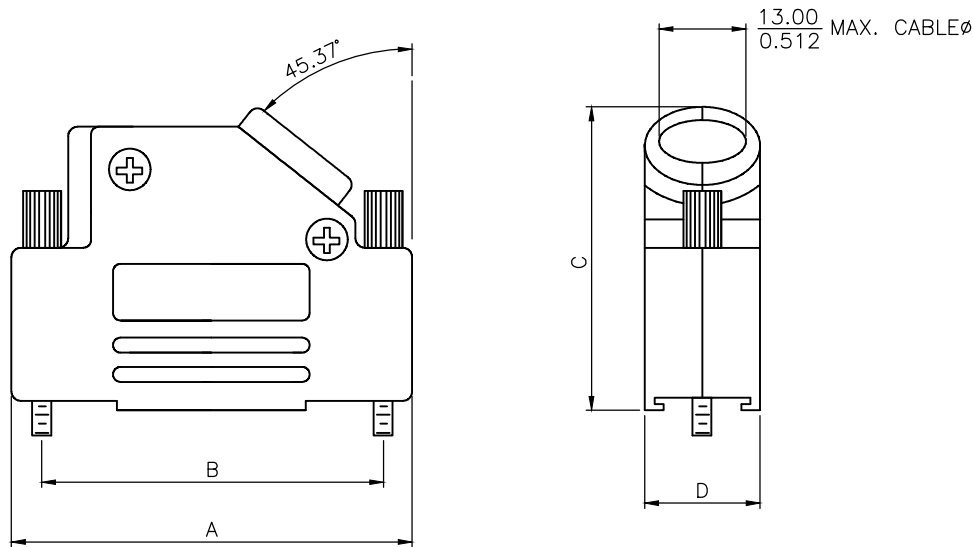


* UNLESS OTHERWISE SPECIFIED TOLERANCES
ON DECIMAL IS:

BACKSHELL KIT INCLUDES:

- (2) BACKSHELL HALVES
- (2) 4-40 THUMBSCREWS
- (2) HOUSING SCREWS & (2) NUTS
- (1) SET OF COMPRESSION INSERTS-VARIOUS SIZES
DIAMETERS: 4mm(.157"), 5mm(.197"), 7mm(.276"), 9mm(.351")

NOTE: 9 POSITION HAS ONLY 1 THUMBSCREW
(OPPOSITE CABLE ENTRY)



DIMENSIONS(mm/in)				
SIZE	A $\pm 1.70^{(+.067)}$ $\pm .50^{(-.02)}$	B $\pm .25$ $\pm .010$	C $\pm 2.40^{(+.094)}$ $\pm .30^{(-.02)}$	D $\pm .85^{(+.033)}$ $\pm .30^{(-.012)}$
9	31.00	24.99	36.30	15.00
	1.220	0.984	1.429	0.591
15	39.50	33.32	40.30	15.00
	1.555	1.312	1.587	0.591
25	53.20	47.04	40.30	15.00
	2.094	1.852	1.587	0.591
37	69.70	63.50	40.30	15.00
	2.744	2.500	1.587	0.591

ORDERING INFORMATION:

SIZE	P/N - KITTED	PRODUCT CODE
9-WAY	6560-0146-11	MHD45PK-9-K
15-WAY	6560-0146-12	MHD45PK-15-K
25-WAY	6560-0146-13	MHD45PK-25-K
37-WAY	6560-0146-14	MHD45PK-37-K

SIZE	P/N - BULK	PRODUCT CODE
9-WAY	6561-0146-11	MHD45PK-9
15-WAY	6561-0146-12	MHD45PK-15
25-WAY	6561-0146-13	MHD45PK-25
37-WAY	6561-0146-14	MHD45PK-37

PLASTIC: ABS POLYLAC-UL RECOGNIZED
NICKEL PLATED
4-40 THUMBSCREWS: STEEL-Zn PLATED
HOOD SCREWS: STEEL-Zn PLATED
COMPRESSION INSERTS: ABS UL RECOGNIZED
NUTS: STEEL-Zn PLATED
OPERATING TEMP: -55°C TO +110°C

THESE DRAWINGS AND SPECIFICATIONS ARE THE
PROPERTY OF MH CONNECTORS LTD. AND SHALL NOT
BE REPRODUCED, COPIED OR USED AS THE BASIS FOR
THE MANUFACTURE OR SALE OF APPARATUS WITHOUT
WRITTEN PERMISSION.

DRAWN
JOHNNY
DATE
11-09-15

APPROVED
VICTOR
DATE
11-09-15

SCALE
SHEET OF
1 OF 1
REV:
5.0

DRAWING No
MHD45PK SERIES



THIS SERIES FULLY CONFORMS TO THE
EUROPEAN UNION DIRECTIVES 2002/95/EC
AND 2002/96/EC FOR RoHS COMPLIANCY.



MH CONNECTORS LTD.