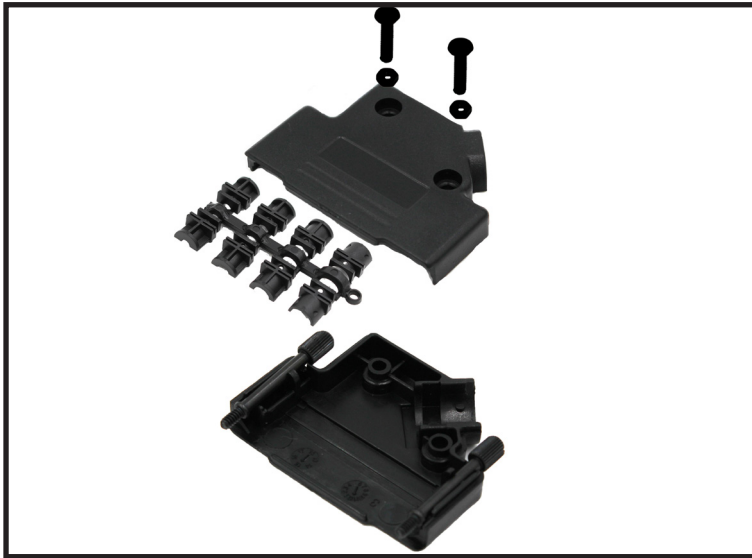


MHD45PPK Series | Plastic D-Sub Hood



Description

- Available in 9,15, 25 or 37 way
- Re-openable
- Cable entry, Side entry
- Operating Temperature, -55°C to 110°C
- Will accommodate up to 13 mm diameter cable
- Cable clamp is secured with 2 screws
- 4-40UNC Jackscrews

The Kit Contains:

- | | |
|-----------------------|-----|
| Backshell halves | x 2 |
| 4-40 Jackscrews | x 2 |
| Plastic strain relief | x 1 |
| Backshell screws | x 2 |

Specification

- Ways: 9, 15, 25 or 37
- Housing Material: Polyamide UL- Recognised
- Cable Entry: Straight, 90°
- Cable OD: Up to 13 mm

Dimensions			
Size	A	B	C
09	31.0	36.3	15.0
15	39.5	40.3	15.0
25	53.2	40.3	15.0
37	69.7	40.3	15.0

