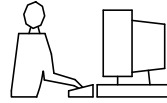


THIS IS A C.A.D. GENERATED DRAWING
DO NOT MAKE MANUAL REVISIONS TO MASTER.

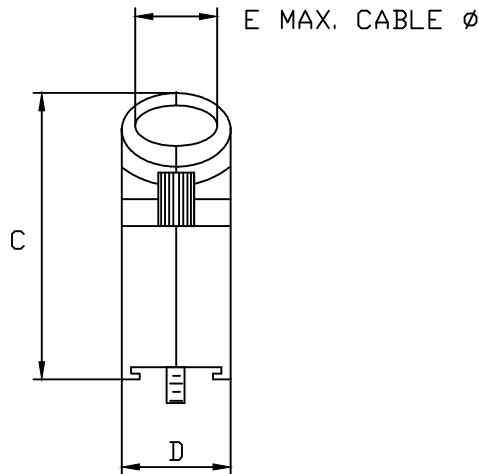
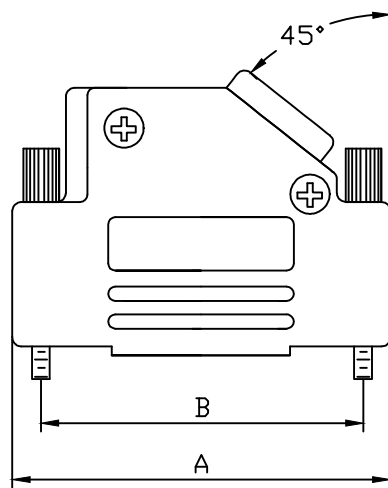


* UNLESS OTHERWISE SPECIFIED TOLERANCES
ON DECIMAL IS: ANGLE $\pm 5^\circ$
UNIT: MM X. ± 0.38
X.X ± 0.25

BACKSHELL KIT INCLUDES:

- (2) BACKSHELL HALVES
- (2) 4-40 THUMBSCREWS
- (2) HOUSING SCREWS
- (1) SET OF COMPRESSION INSERTS—(9 POSITION~37 POSITION)
DIAMETERS: 4mm (.157"), 5mm (.197"), 7mm (.276"), 9mm (.351")

NOTE: 9 POSITION HAS ONLY 1 THUMBSCREW
(OPPOSITE CABLE ENTRY)



DIMENSIONS(mm/in)					
SIZE	A ± 1.0 (± 0.04)	B ± 0.25 (± 0.01)	C ± 1.5 (± 0.06)	D ± 0.5 (± 0.02)	E
9	31.0	24.99	36.3	14.5	13.0
	1.22	0.984	1.43	0.57	0.51
15	39.5	33.32	40.3	14.5	13.0
	1.56	1.312	1.59	0.57	0.51
25	53.2	47.04	40.3	14.5	13.0
	2.09	1.852	1.59	0.57	0.51
37	69.7	63.50	40.3	14.5	13.0
	2.74	2.500	1.59	0.57	0.51

ORDERING INFORMATION:

SIZE	P/N - KITTED	PRODUCT CODE
9-WAY	6560-0116-11	MHD45ZK-09-BK-K
15-WAY	6560-0116-12	MHD45ZK-15-BK-K
25-WAY	6560-0116-13	MHD45ZK-25-BK-K
37-WAY	6560-0116-14	MHD45ZK-37-BK-K

SIZE	P/N - BULK	PRODUCT CODE
9-WAY	6561-0116-11	MHD45ZK-09-BK
15-WAY	6561-0116-12	MHD45ZK-15-BK
25-WAY	6561-0116-13	MHD45ZK-25-BK
37-WAY	6561-0116-14	MHD45ZK-37-BK

BACKSHELL MATERIAL: DIE-CAST ZINC ALLOY
 PLATING: CLEAR CHROMATE FOLLOWED BY BLACK ENAMEL
 4-40 THUMBSCREWS: STEEL - BLACK OXIDE FINISH
 HOODSCREWS: STEEL - BLACK OXIDE FINISH
 COMPRESSION INSERT: ABS UL RECOGNIZED
 OPERATING TEMP: -40°C TO +120°C

THESE DRAWINGS AND SPECIFICATIONS ARE THE PROPERTY OF MH CONNECTORS AND SHALL NOT BE REPRODUCED, COPIED OR USED AS THE BASIS FOR THE MANUFACTURE OR SALE OF APPARATUS WITHOUT WRITTEN PERMISSION.

DRAWN
JOHNNY
DATE
07-21-15

APPROVED
DAMIEN
DATE
07-22-15

SCALE
1 : 1
SHEET OF
1 OF 1
REV:
2.0

DRAWING No
MHD45ZK-BK-SERIES



THIS SERIES FULLY CONFORMS TO THE EUROPEAN UNION DIRECTIVES 2002/95/EC AND 2002/96/EC FOR RoHS COMPLIANCY.



**MH CONNECTORS ,
DIVISION OF EDAC**