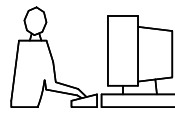
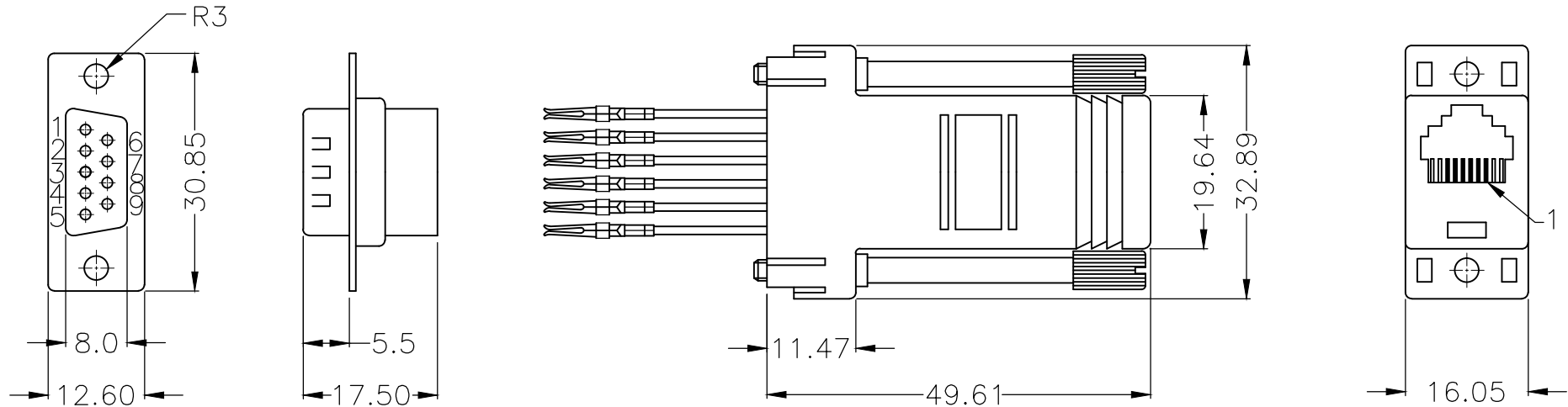


THIS IS A C.A.D. GENERATED DRAWING  
DO NOT MAKE MANUAL REVISIONS TO MASTER.



\* UNLESS OTHERWISE SPECIFIED TOLERANCES  
ON DECIMAL IS:

UNIT: MM .X ±0.38  
.XX ±0.25



A	1	2	3	4	5	6
Color	Black	Yellow	Orange	Red	Green	Brown

**SPECIFICATION:**

1. PLASTIC: ABS.
2. SCREW: 4-40 NICKEL PLATING THUMB SCREW.
3. LEAD WIRE: UL 1061, 26 AWG, 7 STRAND.
4. TERMINAL: COPPER, GOLD PLATING.

Order Information		Unshielded Version
Size	P/N-Kitted	Product Code
9-Way	2112-0100-11	MHDA09-PMJ6-K-RC

THESE DRAWINGS AND SPECIFICATIONS ARE THE PROPERTY OF MH CONNECTORS LTD. AND SHALL NOT BE REPRODUCED, COPIED OR USED AS THE BASIS FOR THE MANUFACTURE OR SALE OF APPARATUS WITHOUT WRITTEN PERMISSION.

DRAWN HALEY	DATE 10-11-13
----------------	------------------

APPROVED DAMIEN	DATE 01-07-14
--------------------	------------------

SCALE	SHEET OF 1 OF 1	REV: 2.0
-------	--------------------	-------------

DRAWING No MHDA09-PMJ6-K-RC
--------------------------------

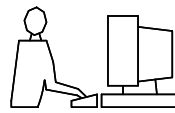
**MH CONNECTORS LTD.**



THIS SERIES FULLY CONFORMS TO THE EUROPEAN UNION DIRECTIVES 2002/95/EC AND 2002/96/EC FOR RoHS COMPLIANCY.

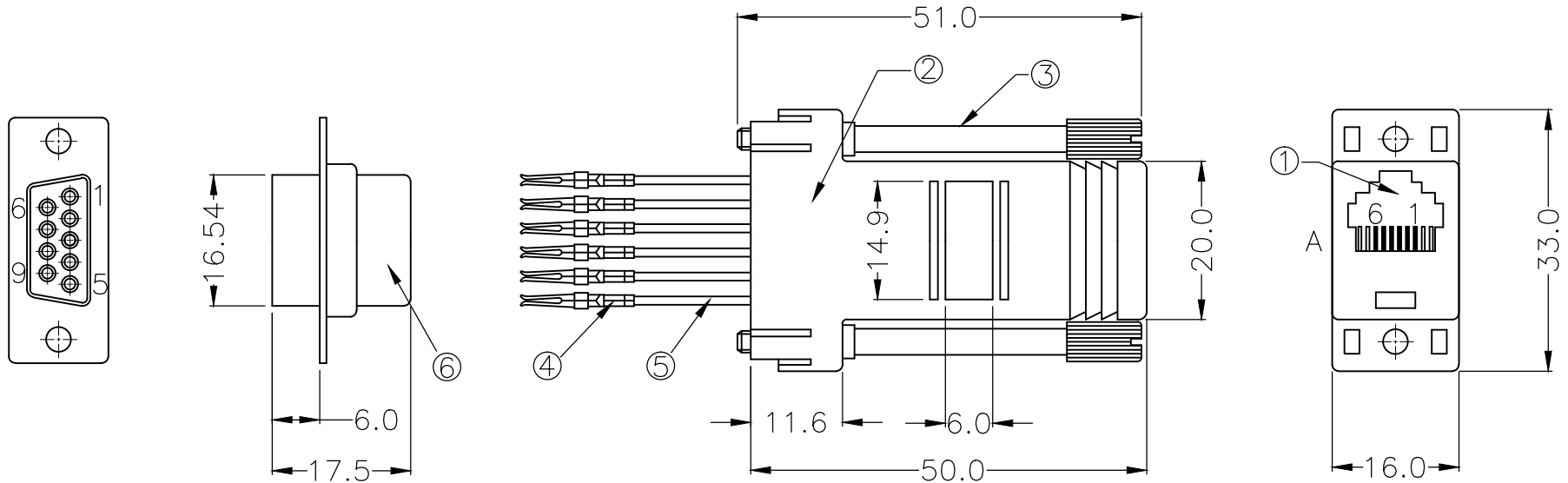


THIS IS A C.A.D. GENERATED DRAWING  
DO NOT MAKE MANUAL REVISIONS TO MASTER.



\* UNLESS OTHERWISE SPECIFIED TOLERANCES  
ON DECIMAL IS:

UNIT: MM .X ±0.38  
.XX ±0.25



A	1	2	3	4	5	6
Color	Black	Yellow	Orange	Red	Green	Brown

Order Information		Unshielded Version
Size	P/N-Kitted	Product Code
9-Way	2112-0100-01	MHDA09-SMJ6-K-RC

RoHS Compliant

NO	Name	Description	Q'ty
1	Conn	Modular Jack 10P6C Female,ABS,Gray,Gold Flash Contact	1
2	Hood	ABS,Gray	1
3	Screw	#4-40UNC Thumb Screw Nickel Plated	2
4	Wire	UL1061,26AWG,7 Strand Lead Wire	6
5	Terminal	P/N:DCFG-H,PH2.77 D-SUB Female Matching Terminal, Copper,Gold Plated	6
6	Conn	P/N:DC09ST-H,PH2.77 Crimp Wire D-SUB Female 9pin Black Insulator	1

THESE DRAWINGS AND SPECIFICATIONS ARE THE PROPERTY OF MH CONNECTORS LTD. AND SHALL NOT BE REPRODUCED, COPIED OR USED AS THE BASIS FOR THE MANUFACTURE OR SALE OF APPARATUS WITHOUT WRITTEN PERMISSION.

DRAWN	DATE
HALEY	10-11-13

APPROVED	DATE
DAMIEN	01-07-14

SCALE	SHEET OF	REV:
	1 OF 1	2.0

DRAWING No
MHDA09-SMJ6-K-RC

**MH CONNECTORS LTD.**

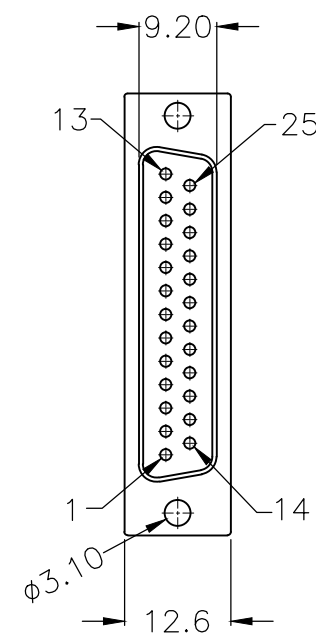
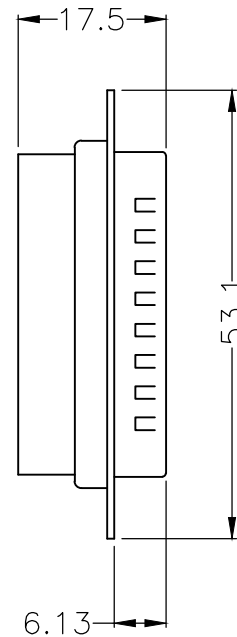
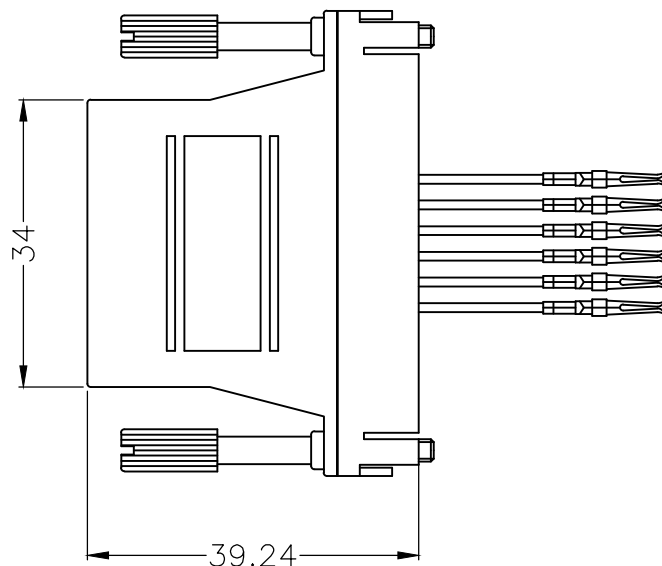
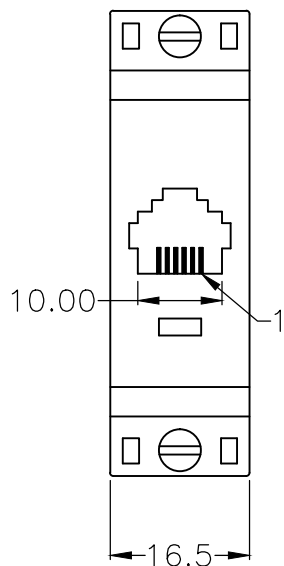


THIS SERIES FULLY CONFORMS TO THE EUROPEAN UNION DIRECTIVES 2002/95/EC AND 2002/96/EC FOR RoHS COMPLIANCY.

THIS IS A C.A.D. GENERATED DRAWING  
DO NOT MAKE MANUAL REVISIONS TO MASTER.



\* UNLESS OTHERWISE SPECIFIED TOLERANCES  
ON DECIMAL IS:  
UNIT: MM .X ±0.3  
.XX ±0.20  
.XXX ±0.100



**Series**  
**Number of positions**  
**B=For RJ12 to D-SUB 25 male**  
**Color: G=Plastic grey**  
**Screw: L=Long screws**  
**Option**

PIN 1-Black	PIN 2-Yellow	PIN 3-Orange
PIN 4-Red	PIN 5-Green	PIN 6-Brown

4	LEAD WIRE	UL1061	26AWG 7 STRAND	6
3	LONG SCREW	STEEL	#4-40 NICKEL PLATED	2
2	TERMINAL	COPPER	GOLD PLATED	6
1	HOOD	ABS	UL 94V-HB	1
NO.	DESCRIPTION	MATERIAL	FINISH	QTY

Ordering information		Unshielded Version
Size	P/N-Kitted	Product Code
25-way	2112-0100-13	MHDA25-PMJ6-K-RC

THESE DRAWINGS AND SPECIFICATIONS ARE THE PROPERTY OF MH CONNECTORS LTD. AND SHALL NOT BE REPRODUCED, COPIED OR USED AS THE BASIS FOR THE MANUFACTURE OR SALE OF APPARATUS WITHOUT WRITTEN PERMISSION.			DRAWN HALEY	DATE 10-14-13
			APPROVED DAMIEN	DATE 01-07-14
SCALE	SHEET OF 1 OF 1	REV: 2.0		
DRAWING No MHDA25-PMJ6-K-RC				



THIS SERIES FULLY CONFORMS TO THE EUROPEAN UNION DIRECTIVES 2002/95/EC AND 2002/96/EC FOR RoHS COMPLIANCY.

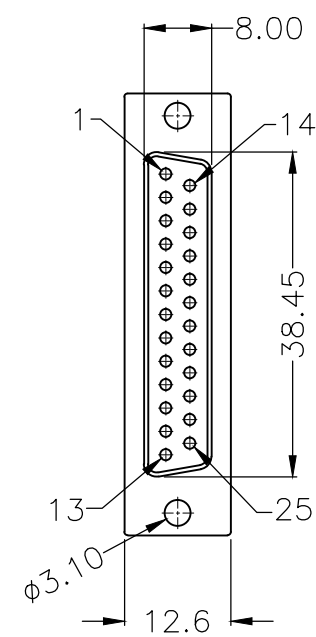
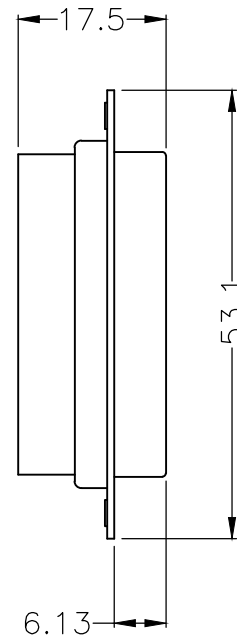
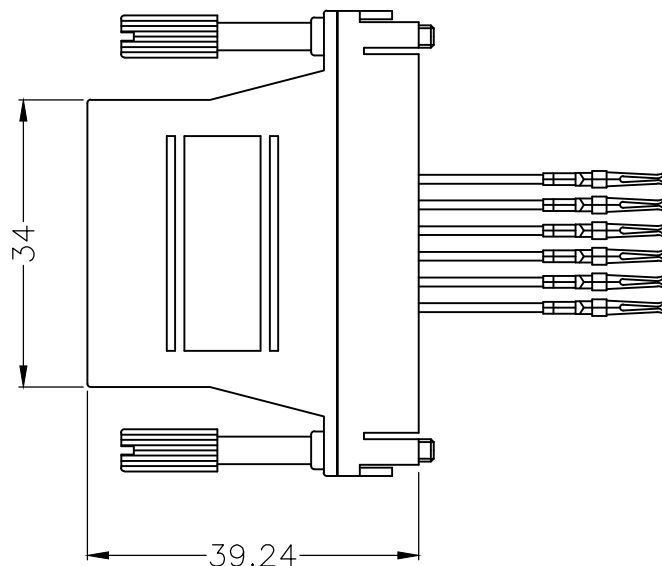
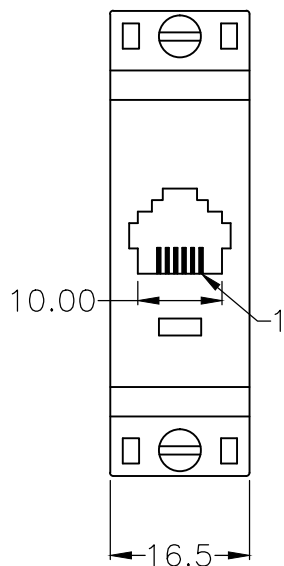


**MH CONNECTORS LTD.**

THIS IS A C.A.D. GENERATED DRAWING  
DO NOT MAKE MANUAL REVISIONS TO MASTER.



\* UNLESS OTHERWISE SPECIFIED TOLERANCES  
ON DECIMAL IS:  
UNIT: MM .X ±0.3  
.XX ±0.20  
.XXX ±0.100



**Series**  
**Number of positions**  
**C=For RJ12 to D-SUB 25 female**  
**Color: G=Plastic grey**  
**Screw: L=Long screws**  
**Option**

PIN 1-Black	PIN 2-Yellow	PIN 3-Orange
PIN 4-Red	PIN 5-Green	PIN 6-Brown

NO.	DESCRIPTION	MATERIAL	FINISH	QTY
4	LEAD WIRE	UL1061	26AWG 7 STRAND	6
3	LONG SCREW	STEEL	#4-40 NICKEL PLATED	2
2	TERMINAL	COPPER	GOLD PLATED	6
1	HOOD	ABS	UL 94V-HB	1

Ordering information		Unshielded Version
Size	P/N-Kitted	Product Code
25-way	2112-0100-03	MHDA25-SMJ6-K-RC

THESE DRAWINGS AND SPECIFICATIONS ARE THE PROPERTY OF MH CONNECTORS LTD. AND SHALL NOT BE REPRODUCED, COPIED OR USED AS THE BASIS FOR THE MANUFACTURE OR SALE OF APPARATUS WITHOUT WRITTEN PERMISSION.			DRAWN		DATE	
			HALEY		10-14-13	
			APPROVED		DATE	
			DAMIEN		01-07-14	
SCALE		SHEET OF		REV:		
		1 OF 1		2.0		
DRAWING No						
MHDA25-SMJ6-K-RC						



THIS SERIES FULLY CONFORMS TO THE EUROPEAN UNION DIRECTIVES 2002/95/EC AND 2002/96/EC FOR RoHS COMPLIANCY.



**MH CONNECTORS LTD.**