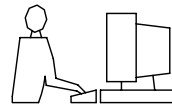
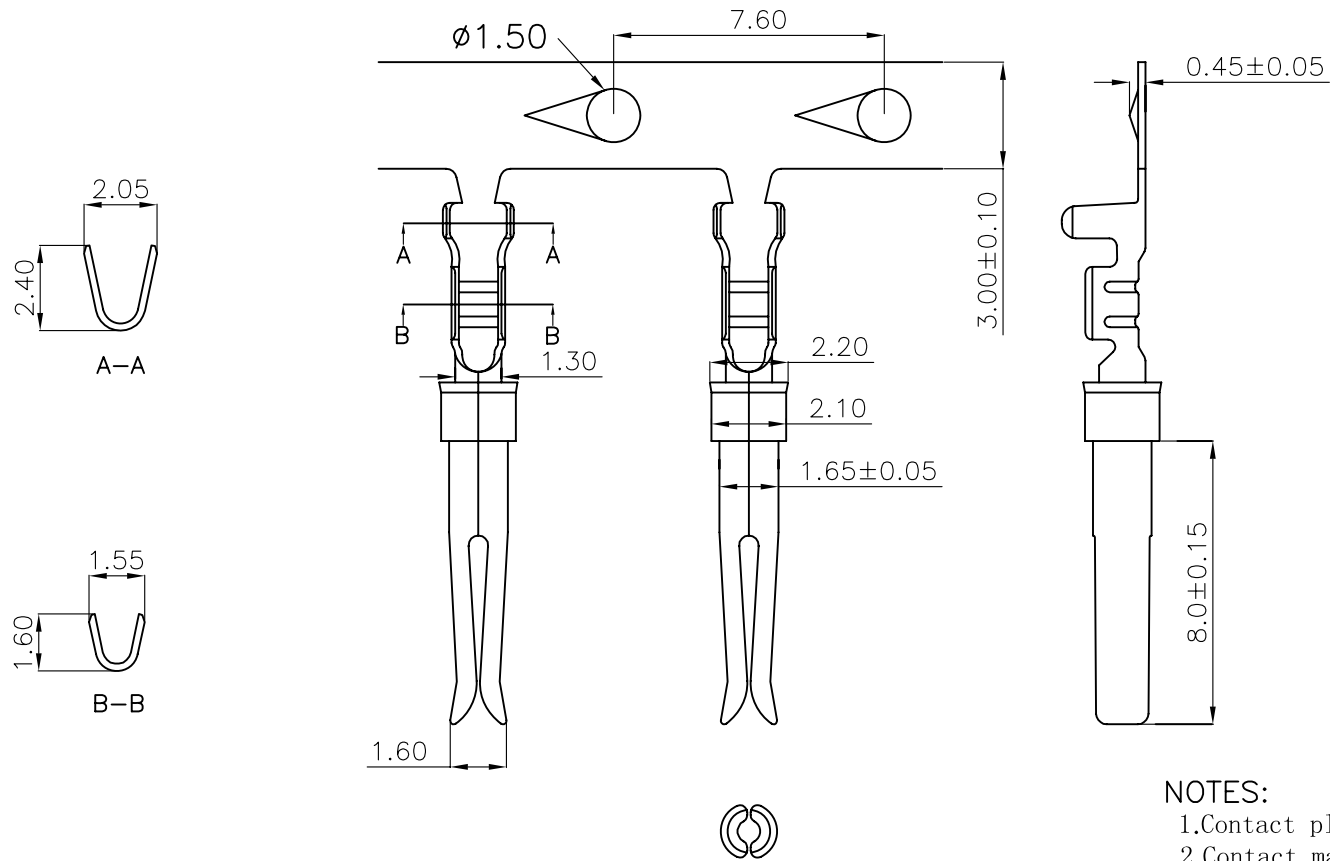


THIS IS A C.A.D. GENERATED DRAWING
DO NOT MAKE MANUAL REVISIONS TO MASTER.



* UNLESS OTHERWISE SPECIFIED TOLERANCES
ON DECIMAL IS: ANGLE $\pm 1^\circ$
UNIT: MM .XX ± 0.10



NOTES:

- 1.Contact plated: Gold Flash 0.6-0.8u".
- 2.Contact material: Brass.
- 3.Wire size AWG: 20-26AWG.
- 4.Contact Gender: Plug.
- 5.Cable diameter min.: 0.6mm.
- 6.Cable diameter max.: 1.5mm.
- 7.Current rate: 3A per contact.

THESE DRAWINGS AND SPECIFICATIONS ARE THE PROPERTY OF MH CONNECTORS LTD. AND SHALL NOT BE REPRODUCED, COPIED OR USED AS THE BASIS FOR THE MANUFACTURE OR SALE OF APPARATUS WITHOUT WRITTEN PERMISSION.

DRAWN Johnny		DATE 07-03-13	
APPROVED		DATE	
SCALE	SHEET OF 1 OF 1	REV: 2.0	
DRAWING No MHDCTFR			

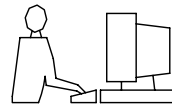


THIS SERIES FULLY CONFORMS TO THE EUROPEAN UNION DIRECTIVES 2002/95/EC AND 2002/96/EC FOR RoHS COMPLIANCY.

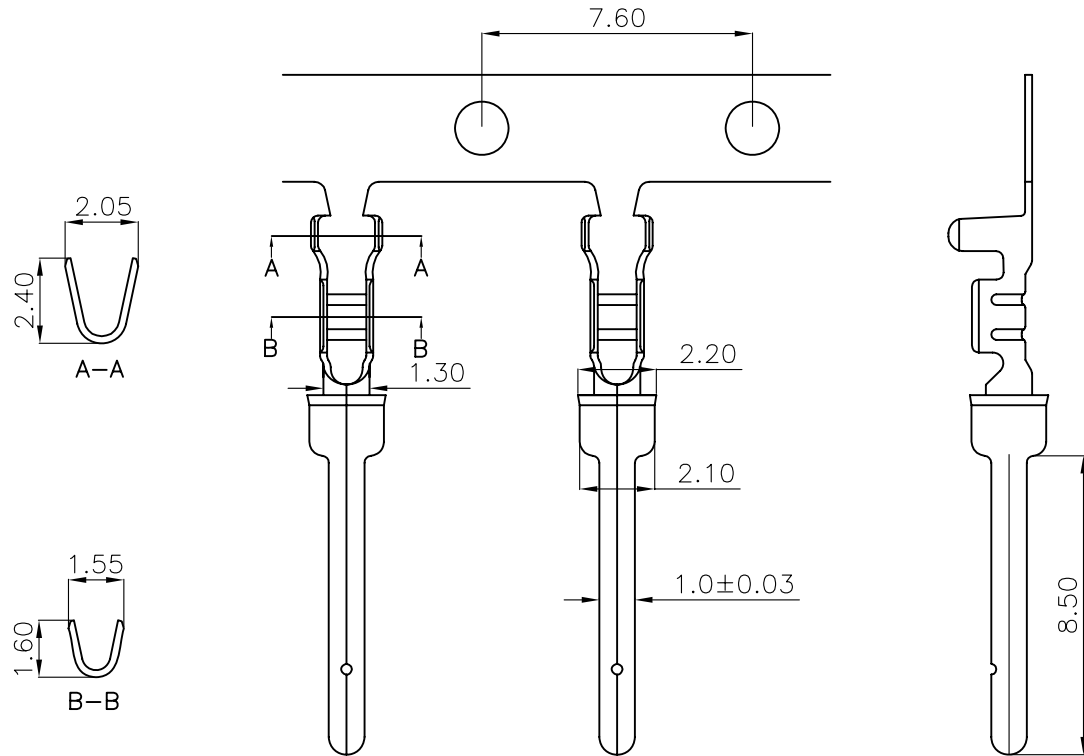


MH CONNECTORS LTD.

THIS IS A C.A.D. GENERATED DRAWING
DO NOT MAKE MANUAL REVISIONS TO MASTER.



* UNLESS OTHERWISE SPECIFIED TOLERANCES
ON DECIMAL IS: ANGLE $\pm 1^\circ$
UNIT: MM .XX ± 0.10



NOTES:

- 1.Contact plated: Gold Flash 0.6-0.8u".
- 2.Contact material: Brass.
- 3.Wire size AWG: 20-26AWG.
- 4.Contact Gender: Socket.
- 5.Cable diameter min. : 0.6mm.
- 6.Cable diameter max. : 1.5mm.
- 7.Current rate: 3A per contact.

THESE DRAWINGS AND SPECIFICATIONS ARE THE PROPERTY OF MH CONNECTORS LTD. AND SHALL NOT BE REPRODUCED, COPIED OR USED AS THE BASIS FOR THE MANUFACTURE OR SALE OF APPARATUS WITHOUT WRITTEN PERMISSION.

DRAWN Johnny		DATE 07-03-13	
APPROVED		DATE	
SCALE	SHEET OF 1 OF 1	REV: 2.0	
DRAWING No MHDCTMR			



THIS SERIES FULLY CONFORMS TO THE EUROPEAN UNION DIRECTIVES 2002/95/EC AND 2002/96/EC FOR RoHS COMPLIANCY.



MH CONNECTORS LTD.