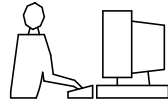


THIS IS A C.A.D. GENERATED DRAWING  
DO NOT MAKE MANUAL REVISIONS TO MASTER.

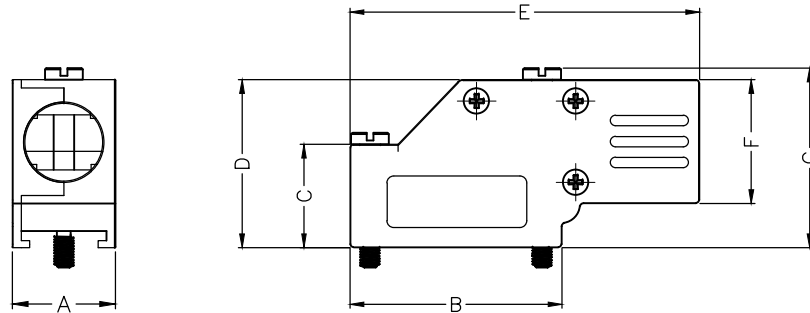
BACKSHELL KIT INCLUDES:

- (2) BACKSHELL HALVES
- (3) HOUSING SCREWS
- (1) 4-40 LONG THUMBSCREWS
- (1) 4-40 SHORT THUMBSCREWS
- (1) SET OF COMPRESSION INSERTS-VARIOUS SIZES

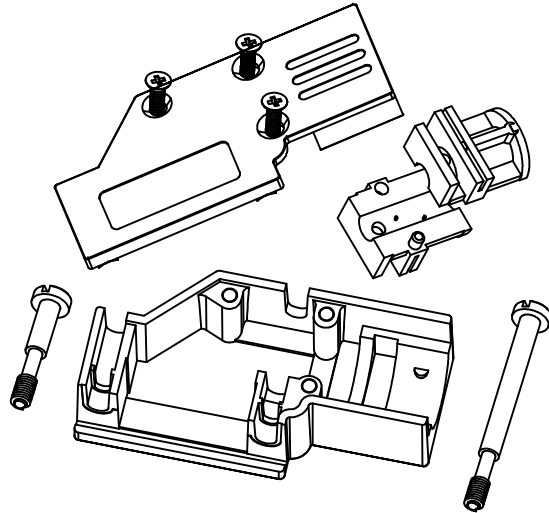
DIAMETERS 4mm(.157"), 5mm(.167"), 7mm(.276"), 9mm(.354")



\* UNLESS OTHERWISE SPECIFIED TOLERANCES  
ON DECIMAL IS: ANGLE  $\pm 1^\circ$   
UNIT: MM .XX  $\pm 0.35$



DIMENSIONS(mm/in)							
SIZE	A $\pm 0.047$ <sup>±1.20</sup>	B $\pm 0.047$ <sup>±1.20</sup>	C $\pm 0.031$ <sup>±0.80</sup>	D $\pm 0.031$ <sup>±0.80</sup>	E $\pm 0.031$ <sup>±0.80</sup>	F $\pm 0.031$ <sup>±0.80</sup>	G $\pm 0.031$ <sup>±0.80</sup>
9	15.0	30.8	15.0	24.4	50.8	18.0	26.2
	0.59	1.21	0.59	0.96	2.0	0.71	1.03
25	15.8	53.3	23.1	34.5	72.4	24.3	36.6
	0.62	2.10	0.91	1.36	2.85	0.96	1.44



ORDERING INFORMATION:

SIZE	P/N - KITTED	PRODUCT CODE
9-WAY	6560-0501-01	MHDCMR-09-RA-K
25-WAY	6560-0501-03	MHDCMR-25-RA-K

SIZE	P/N - KITTED	PRODUCT CODE
9-WAY	6561-0501-01	MHDCMR-09-RA
25-WAY	6561-0501-03	MHDCMR-25-RA

BACKSHELL: MATERIAL:  
PLATING:  
4-40 THUMBSCREWS:  
HOUSING SCREWS:  
COMPRESSION INSERT:  
OPERATING TEMP:

DIE CAST ZINC ALLOY  
NICKEL PLATED  
STEEL-Zn PLATED  
STEEL-Zn PLATED  
ABS,UL RECOGNIZED  
-40°C TO+120°C



THIS SERIES FULLY CONFORMS TO THE  
EUROPEAN UNION DIRECTIVES 2002/95/EC  
AND 2002/96/EC FOR RoHS COMPLIANCY.



THESE DRAWINGS AND SPECIFICATIONS ARE THE  
PROPERTY OF MH CONNECTORS LTD. AND SHALL NOT  
BE REPRODUCED, COPIED OR USED AS THE BASIS FOR  
THE MANUFACTURE OR SALE OF APPARATUS WITHOUT  
WRITTEN PERMISSION.

DRAWN  
JOHNNY  
DATE  
02-24-13

APPROVED  
DAMIEN  
DATE  
03-10-14

SCALE  
1:1  
SHEET OF  
1 OF 1  
REV:  
3.0

DRAWING No  
MHDCMR-XX-RA-K

MH CONNECTORS LTD.