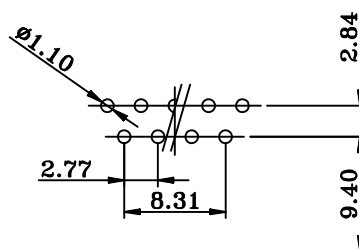
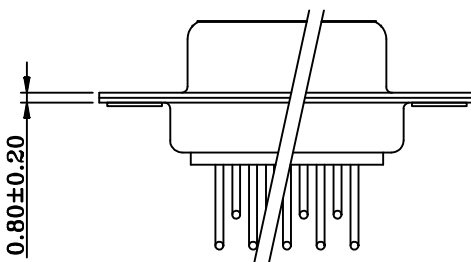
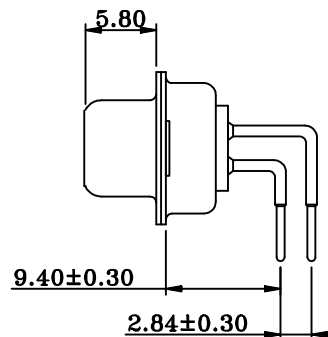
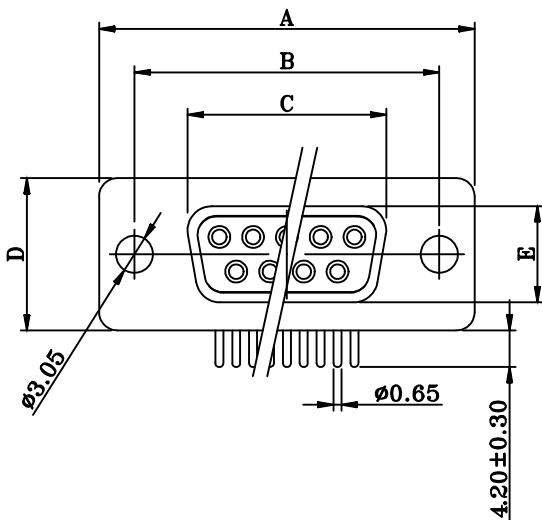


THIS IS A C.A.D. GENERATED DRAWING  
DO NOT MAKE MANUAL REVISIONS TO MASTER.



\* UNLESS OTHERWISE SPECIFIED TOLERANCES  
ON DECIMAL IS: X. ±0.20  
UNIT: MM .X ±0.10  
.XX ±0.05  
.XXX±0.03  
X' ±0.20  
.X' ±0.10  
.XX' ±0.05



PCB LAYOUT

Ordering Info	Dimensions(mm)					
Part Number	SIZE	A±0.25	B±0.25	C±0.25	D±0.25	E±0.25
MHDD09-F-T-B-M-RBM	9	30.80	25.00	16.30	12.50	7.90
MHDD15-F-T-B-M-RBM	15	39.20	33.30	24.60	12.50	7.90
MHDD25-F-T-B-M-RBM	25	53.05	47.05	38.40	12.50	7.90
MHDD37-F-T-B-M-RBM	37	69.40	63.50	54.80	12.50	7.90

**1.MATERIALS AND FINISH.**

- 1.1. SHELL: STEEL MATERIAL, FRONT SHELL TIN FINISHED  
BACK SHELL TIN FINISHED  
DIMPLES ON PLUG ONLY
- 1.2. INSULATOR: PBT THERMOPLASTIC,30% GLASS FILLED,  
UL 94V-0 RATED, BLACK COLOR.
- 1.3. SIGNAL CONTACT: COPPER ALLOY, FULL GOLD FLASH.

**2.ELECTRICAL CHARACTERISTICS.**

- 2.1. CONTACT CURRENT RATING: 5.0 AMPS.
- 2.2. CONTACT RESISTANCE :10 mΩ MAX.
- 2.3. DIELECTRIC WITHSTANDING VOLTAGE:1000 V AC MIN.
- 2.4. INSULATION RESISTANCE: 5GΩ MIN.
- 2.5. TEMPERATURE RATING: -55°C~+125°C

THESE DRAWINGS AND SPECIFICATIONS ARE THE PROPERTY OF MH CONNECTORS LTD. AND SHALL NOT BE REPRODUCED, COPIED OR USED AS THE BASIS FOR THE MANUFACTURE OR SALE OF APPARATUS WITHOUT WRITTEN PERMISSION.			DRAWN HALEY	DATE 10-08-13
			APPROVED DAMIEN	DATE 10-09-13
SCALE		SHEET OF 1 OF 1	REV: 5.0	
DRAWING No MHDDXX-F-T-B-M-RBM				

MH CONNECTORS LTD.



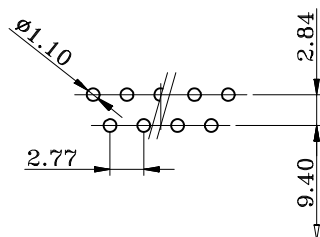
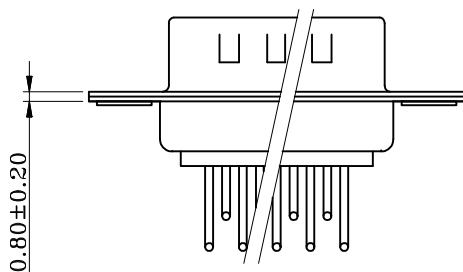
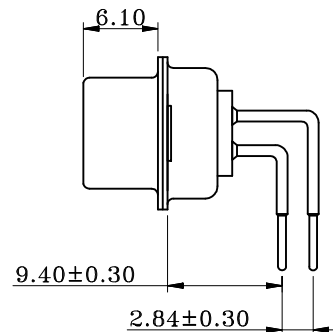
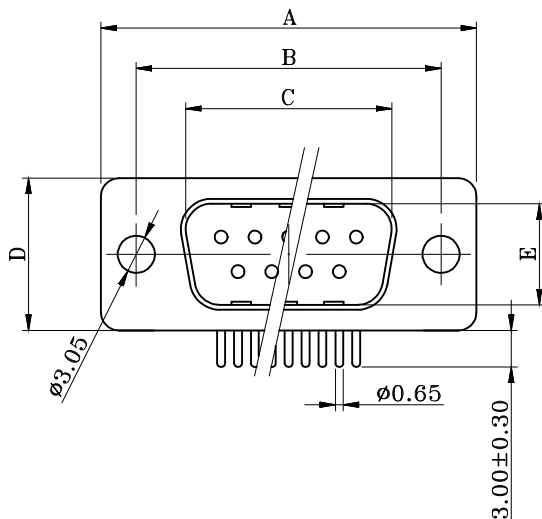
THIS SERIES FULLY CONFORMS TO THE EUROPEAN UNION DIRECTIVES 2002/95/EC AND 2002/96/EC FOR RoHS COMPLIANCY.



THIS IS A C.A.D. GENERATED DRAWING  
DO NOT MAKE MANUAL REVISIONS TO MASTER.



\* UNLESS OTHERWISE SPECIFIED TOLERANCES  
ON DECIMAL IS: X. ±0.20  
UNIT: MM .X ±0.10  
.XX ±0.05  
.XXX±0.03  
X' ±0.20  
.X' ±0.10  
.XX' ±0.05



PCB LAYOUT

Ordering Info	Dimensions(mm)					
Part Number	SIZE	A±0.25	B±0.25	C±0.25	D±0.25	E±0.25
MHDD09-M-T-B-M-RBM	9	30.80	25.00	16.90	12.50	8.30
MHDD15-M-T-B-M-RBM	15	39.20	33.30	25.25	12.50	8.30
MHDD25-M-T-B-M-RBM	25	53.05	47.05	38.95	12.50	8.30
MHDD37-M-T-B-M-RBM	37	69.40	63.50	55.40	12.50	8.30

**1.MATERIALS AND FINISH.**

- 1.1. SHELL: STEEL MATERIAL, FRONT SHELL TIN FINISHED  
BACK SHELL TIN FINISHED  
DIMPLES ON PLUG ONLY
- 1.2. INSULATOR: PBT THERMOPLASTIC,30% GLASS FILLED,  
UL 94V-0 RATED, BLACK COLOR.
- 1.3. SIGNAL CONTACT: COPPER ALLOY, FULL GOLD FLASH.

**2.ELECTRICAL CHARACTERISTICS.**

- 2.1. CONTACT CURRENT RATING: 5.0 AMPS.
- 2.2. CONTACT RESISTANCE :10 mΩ MAX.
- 2.3. DIELECTRIC WITHSTANDING VOLTAGE:1000 V AC MIN.
- 2.4. INSULATION RESISTANCE: 5GΩ MIN.
- 2.5. TEMPERATURE RATING: -55°C~+125°C

THESE DRAWINGS AND SPECIFICATIONS ARE THE PROPERTY OF MH CONNECTORS LTD. AND SHALL NOT BE REPRODUCED, COPIED OR USED AS THE BASIS FOR THE MANUFACTURE OR SALE OF APPARATUS WITHOUT WRITTEN PERMISSION.

DRAWN HALEY DATE 08-07-13

APPROVED DAMIEN DATE 08-08-13

SCALE SHEET OF 1 OF 1 REV: 4.0

DRAWING No MHDDXX-M-T-B-M-RBM



THIS SERIES FULLY CONFORMS TO THE EUROPEAN UNION DIRECTIVES 2002/95/EC AND 2002/96/EC FOR RoHS COMPLIANCY.



MH CONNECTORS LTD.