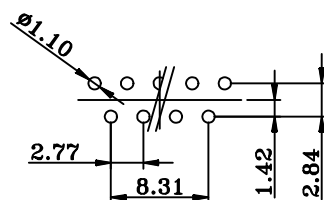
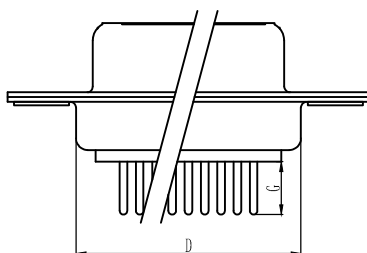
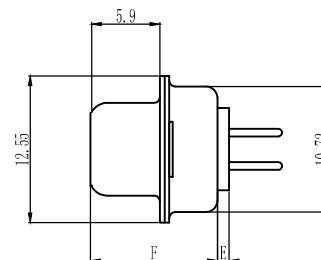
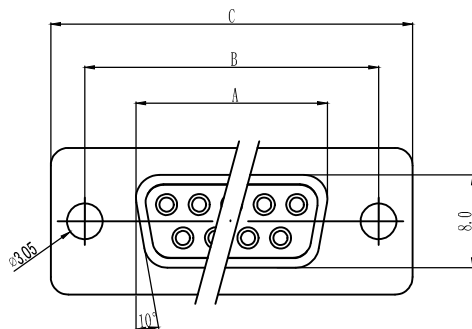


THIS IS A C.A.D. GENERATED DRAWING
DO NOT MAKE MANUAL REVISIONS TO MASTER.



* UNLESS OTHERWISE SPECIFIED TOLERANCES
ON DECIMAL IS: ± 0.35
UNIT: MM



P.C.B LAYOUT

“D-SUB” CONNECTOR STRAIGHT DIP TYPE “SOCKET” MACHINED PIN.
PRODUCT:ROHS

1.MATERIAL & FINISH

- 1.1. SHELL: STEEL NICKEL OR TIN PLATED.
- 1.2. PIN CONTACT: BRASS GOLD PLATED OVER NICKEL.
- 1.3. INSULATOR: PBT & GLASS-FIBRE REINFORCED UL 94V-0 .

2.ELECTRICAL CHARACTERISTICS:

- 2.1. CONTACT RATING: 5 AMP.
- 2.2. DIELECTRIC STRENGTH: 1000V FOR ONE MINUTE.
- 2.3. INSULATOR RESISTANCE: 1000M Ω MIN AT 500V DC.
- 2.4. TEMPERATURE: -55°C~+105°C

Order information	Dimensions(mm)								
	Part Number	SIZE	A ± 0.13	B ± 0.13	C ± 0.35	D ± 0.35	E ± 0.35	F ± 0.35	G ± 0.35
MHDD09-F-T-B-M	9	16.33	24.99	30.81	19.28	1.0	10.8	4.32	
MHDD15-F-T-B-M	15	24.66	33.32	39.14	27.51	1.0	10.8	4.32	
MHDD25-F-T-B-M	25	38.38	47.04	53.04	41.30	1.0	10.8	4.32	
MHDD37-F-T-B-M	37	54.84	63.50	69.32	57.71	1.0	10.8	4.32	
MHDD50-F-T-B-M	50	52.34	61.11	66.92	55.30	1.0	10.8	4.32	

THESE DRAWINGS AND SPECIFICATIONS ARE THE PROPERTY OF MH CONNECTORS LTD. AND SHALL NOT BE REPRODUCED, COPIED OR USED AS THE BASIS FOR THE MANUFACTURE OR SALE OF APPARATUS WITHOUT WRITTEN PERMISSION.

DRAWN HALEY	DATE 08-20-13
APPROVED DAMIEN	DATE 08-21-13



THIS SERIES FULLY CONFORMS TO THE EUROPEAN UNION DIRECTIVES 2002/95/EC AND 2002/96/EC FOR RoHS COMPLIANCY.

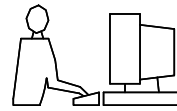


MH CONNECTORS LTD.

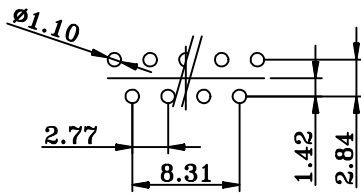
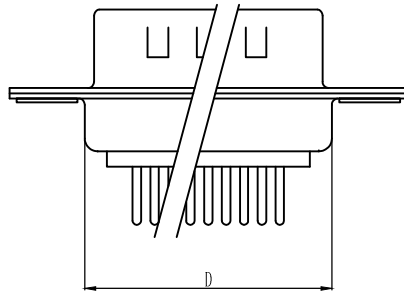
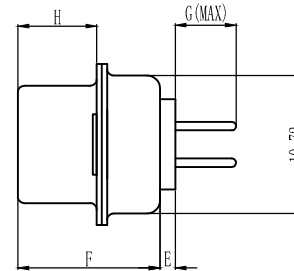
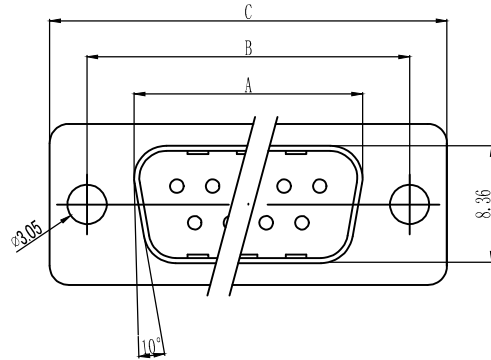
SCALE	SHEET OF 1 OF 1	REV: 5.0
-------	--------------------	-------------

DRAWING No
MHDDXX-F-T-B-M

THIS IS A C.A.D. GENERATED DRAWING
DO NOT MAKE MANUAL REVISIONS TO MASTER.



* UNLESS OTHERWISE SPECIFIED TOLERANCES
ON DECIMAL IS: ± 0.35
UNIT: MM



P.C.B LAYOUT

**“D-SUB” CONNECTOR STRAIGHT DIP TYPE “PLUG” MACHAINED PIN.
PRODUCT:ROHS**

1.MATERIAL & FINISH

- 1.1. SHELL: STEEL NICKEL TIN PLATED.
- 1.2. PIN CONTACT: BRASS GOLD PLATED OVER NICKEL.
- 1.3. INSULATOR: PBT & GLASS-FIBRE REINFORCED
UL 94V-0 .

2.ELECTRICAL CHARACTERISTICS:

- 2.1. CONTACT RATING: 5 AMP.
- 2.2. DIELECTRIC STRENGTH: 1000V FOR ONE MINUTE.
- 2.3. INSULATOR RESISTANCE: 1000M Ω MIN AT 500V DC.
- 2.4. TEMPERATURE: -55°C~+105°C

Order information	Dimensions(mm)								
Part Number	SIZE	A ± 0.13	B ± 0.13	C ± 0.35	D ± 0.35	E ± 0.35	F ± 0.35	G ± 0.35	H ± 0.35
MHDD09-M-T-B-M	9	16.92	24.99	30.81	19.23	1.0	10.8	4.50	5.84
MHDD15-M-T-B-M	15	25.25	33.32	39.14	27.56	1.0	10.8	4.50	5.84
MHDD25-M-T-B-M	25	38.96	47.04	53.04	41.30	1.0	10.8	4.50	5.84
MHDD37-M-T-B-M	37	55.42	63.50	69.32	57.71	1.0	10.8	4.50	5.84
MHDD50-M-T-B-M	50	52.86	61.11	66.92	55.30	1.0	10.8	4.50	5.84

THESE DRAWINGS AND SPECIFICATIONS ARE THE PROPERTY OF MH CONNECTORS LTD. AND SHALL NOT BE REPRODUCED, COPIED OR USED AS THE BASIS FOR THE MANUFACTURE OR SALE OF APPARATUS WITHOUT WRITTEN PERMISSION.

DRAWN
HALEY
DATE
08-20-13

APPROVED
DAMIEN
DATE
08-21-13

SCALE
SHEET OF
1 OF 1
REV:
7.0

DRAWING No
MHDDXX-M-T-B-M

MH CONNECTORS LTD.



THIS SERIES FULLY CONFORMS TO THE EUROPEAN UNION DIRECTIVES 2002/95/EC AND 2002/96/EC FOR RoHS COMPLIANCY.

