

THIS IS A C.A.D. GENERATED DRAWING
DO NOT MAKE MANUAL REVISIONS TO MASTER.



* UNLESS OTHERWISE SPECIFIED TOLERANCES
ON DECIMAL IS: ANGLE $\pm 2^\circ$

UNIT: MM

.xx ± 0.25
.xxx ± 0.13

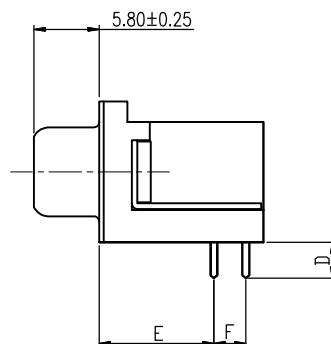
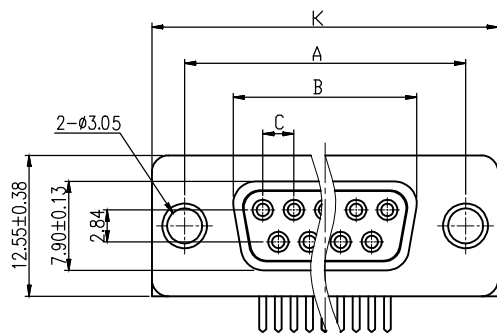
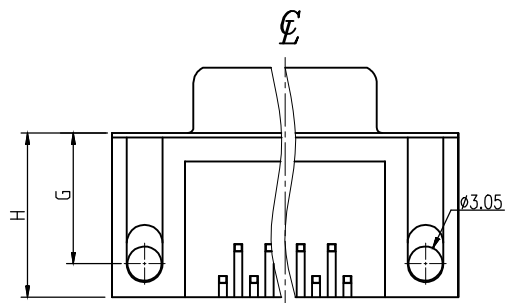


TABLE 1

Size	Mating Force(Kgf) Max	Unmating Force(Kgf) Min
9	4.0	1.0
15	6.0	1.2
25	9.4	1.4
37	13.5	1.6

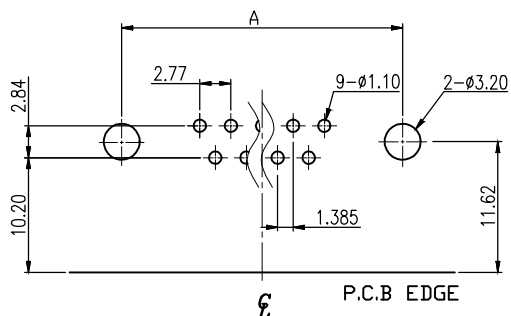


SPECIFICATIONS

1. D-SUB.
- 1.1 Voltage: 250V AC (RMS) Max.
- 1.2 Current Rating: 3 Ampere per Contact.
- 1.3 Contact Resistance: 25 Milliohms Max.
- 1.4 Insulation Resistance: 5000 Megohms Min.
- 1.5 Dielectric Withstanding Voltage: 1000V AC(RMS).
- 1.6 Total Mating Force: See Table1.
- 1.7 Total Unmating Force: See Table1.
- 1.8 Operating Temperature: -55°C to $+85^\circ\text{C}$

NOTES

1. MATERIAL:
Housing:PBT, UL 94V-0, Color:Black.
Terminal:Copper Alloy.
Shell:SPCC.
Boardlock:SPCC.
Rivet:Copper Alloy.
2. FINISH:
Terminal:Gold Plated over Nickel at Contact Area.
Tin Plated over Nickel at Solder Area.
Shell:Nickel Plated.
Boardlock:Nickel Plated.
Rivet:Nickel Plated.
3. This Product is LEAD-FREE & RoHS Compliance Product.



RECOMMENDED P.C.B LAYOUT
INSPECTION DIMENSION:(A)~(H)

Order Information	Dimensions(mm)									
	Part Number	Size	A ± 0.25	B ± 0.13	C ± 0.13	D ± 0.38	E ± 0.25	F ± 0.25	G ± 0.25	H ± 0.25
MHDD09-F-T-B-S-RBM	9	24.99	16.33	2.770	3.18	10.20	2.84	11.62	14.60	30.81
MHDD15-F-T-B-S-RBM	15	33.32	24.66	2.770	3.18	10.20	2.84	11.62	14.60	39.19
MHDD25-F-T-B-S-RBM	25	47.04	38.38	2.770	3.18	10.20	2.84	11.62	14.60	53.04
MHDD37-F-T-B-S-RBM	37	63.50	54.84	2.770	3.18	10.20	2.84	11.62	14.60	69.32

THESE DRAWINGS AND SPECIFICATIONS ARE THE PROPERTY OF MH CONNECTORS LTD. AND SHALL NOT BE REPRODUCED, COPIED OR USED AS THE BASIS FOR THE MANUFACTURE OR SALE OF APPARATUS WITHOUT WRITTEN PERMISSION.

DRAWN DALEY DATE 10-18-13

APPROVED DAMIEN DATE 10-19-13

SCALE SHEET OF 1 OF 1 REV: 3.0

DRAWING No MHDDXX-F-T-B-S-RBM



THIS SERIES FULLY CONFORMS TO THE EUROPEAN UNION DIRECTIVES 2002/95/EC AND 2002/96/EC FOR RoHS COMPLIANCY.



MH CONNECTORS LTD.

THIS IS A C.A.D. GENERATED DRAWING
DO NOT MAKE MANUAL REVISIONS TO MASTER.



* UNLESS OTHERWISE SPECIFIED TOLERANCES
ON DECIMAL IS: ANGLE $\pm 2^\circ$
UNIT: MM .xx ± 0.25
.xxx ± 0.13

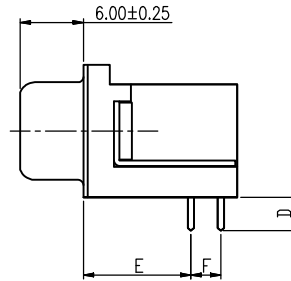
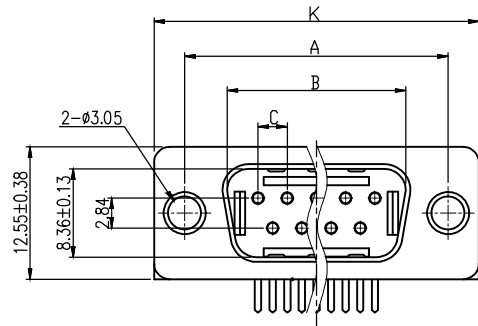
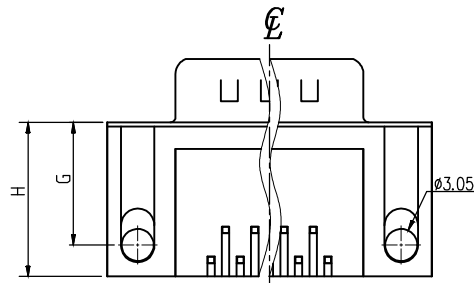


TABLE 1

Size	Mating Force(Kgf) Max	Unmating Force(Kgf) Min
9	4.0	1.0
15	6.0	1.2
25	9.4	1.4
37	13.5	1.6

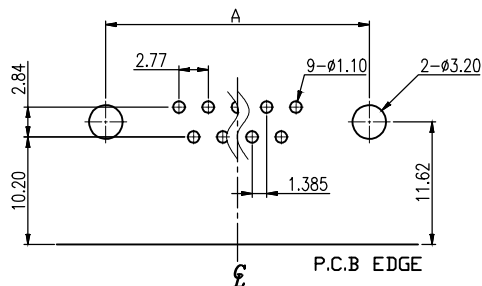


SPECIFICATIONS

1. D-SUB.
- 1.1 Voltage: 250V AC(RMS) Max.
- 1.2 Current Rating: 3 Ampere per Contact.
- 1.3 Contact Resistance: 25 Milliohms Max.
- 1.4 Insulation Resistance: 5000 Megohms Min.
- 1.5 Dielectric Withstanding Voltage: 1000V AC(RMS).
- 1.6 Total Mating Force: See Table1.
- 1.7 Total Unmating Force: See Table1.
- 1.8 Operating Temperature: -55°C to +85°C.

NOTERS

1. MATERIAL:
Housing:PBT, UL 94V-0, Color:Black.
Terminal:Copper Alloy.
Shell:SPCC.
Boardlock:SPCC.
Rivet:Copper Alloy.
2. FINISH:
Terminal:Gold Plated over Nickel at Contact Area.
Tin Plated over Nickel at Solder Area.
Shell:Nickel Plated.
Boardlock:Nickel Plated.
Rivet:Nickel Plated.
3. This Product is LEAD-FREE & RoHS Compliance Product.



RECOMMENDED P.C.B LAYOUT
INSPECTION DIMENSION:(A)~(H)

Order Information	Dimensions(mm)									
Part Number	Size	A±0.25	B±0.13	C±0.13	D±0.38	E±0.25	F±0.25	G±0.25	H±0.25	K±0.38
MHDD09-M-T-B-S-RBM	9	24.99	16.92	2.770	3.18	10.20	2.84	11.62	14.60	30.81
MHDD15-M-T-B-S-RBM	15	33.32	25.25	2.770	3.18	10.20	2.84	11.62	14.60	39.19
MHDD25-M-T-B-S-RBM	25	47.04	38.96	2.770	3.18	10.20	2.84	11.62	14.60	53.04
MHDD37-M-T-B-S-RBM	37	63.50	55.42	2.770	3.18	10.20	2.84	11.62	14.60	69.32

THESE DRAWINGS AND SPECIFICATIONS ARE THE PROPERTY OF MH CONNECTORS LTD. AND SHALL NOT BE REPRODUCED, COPIED OR USED AS THE BASIS FOR THE MANUFACTURE OR SALE OF APPARATUS WITHOUT WRITTEN PERMISSION.

DRAWN HALEY		DATE 10-18-13	
APPROVED DAMIEN		DATE 10-19-13	
SCALE	SHEET OF 1 OF 1	REV: 3.0	
DRAWING No MHDDXX-M-T-B-S-RBM			



THIS SERIES FULLY CONFORMS TO THE EUROPEAN UNION DIRECTIVES 2002/95/EC AND 2002/96/EC FOR RoHS COMPLIANCY.



MH CONNECTORS LTD.