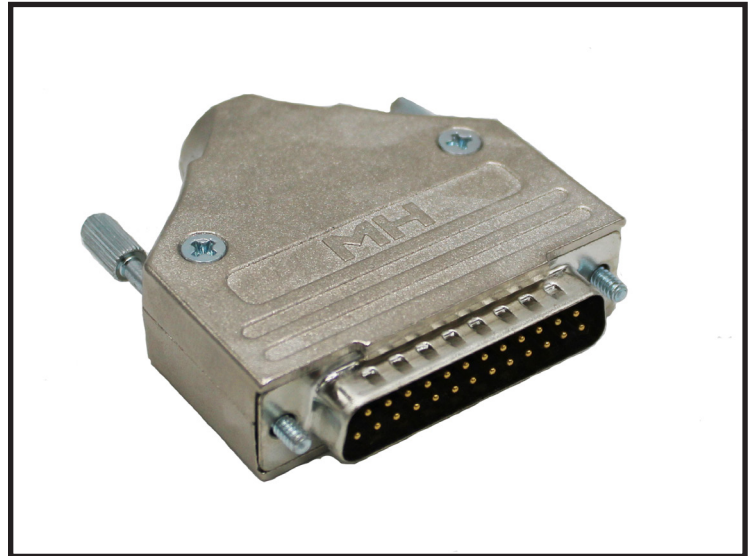
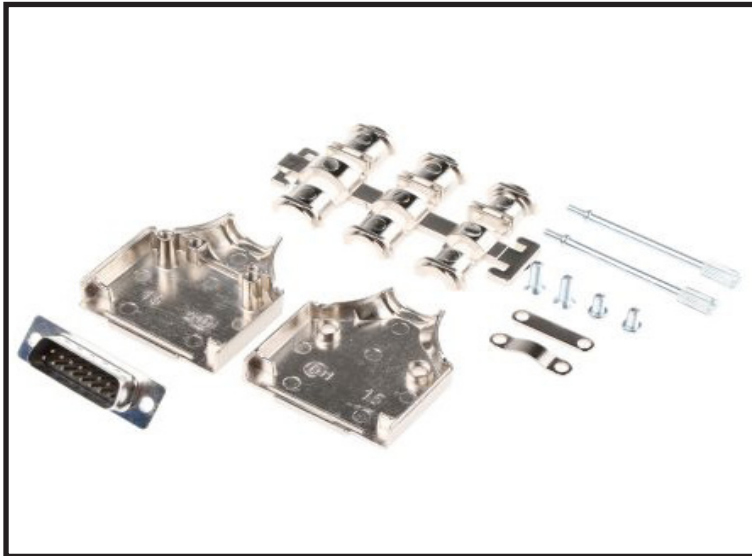


# MHDM Series

## Diecast Hood & D-Sub Connector Kit | Machined



### Features

- Strong Nickel Plated, Die cast Zinc hood
- Cable Entry, straight, 90 degrees
- Will accommodate 6.2mm to 13.0mm diameter cable
- Compression inserts can be mixed to maximum cable retention
- 4-40 UNC Jackscrews
- Machined or Stamped & Formed Connector

### The Kit Contains:

- Backshell halves x2
- Strain Relief Screws x2
- Strain Relief Clamps x2
- Housing screws x2
- UNC 4-40 Jackscrews x2
- D-Sub Connector ( Male or Female) x1
- Set of metallised plastic compression inserts x1

### Specification

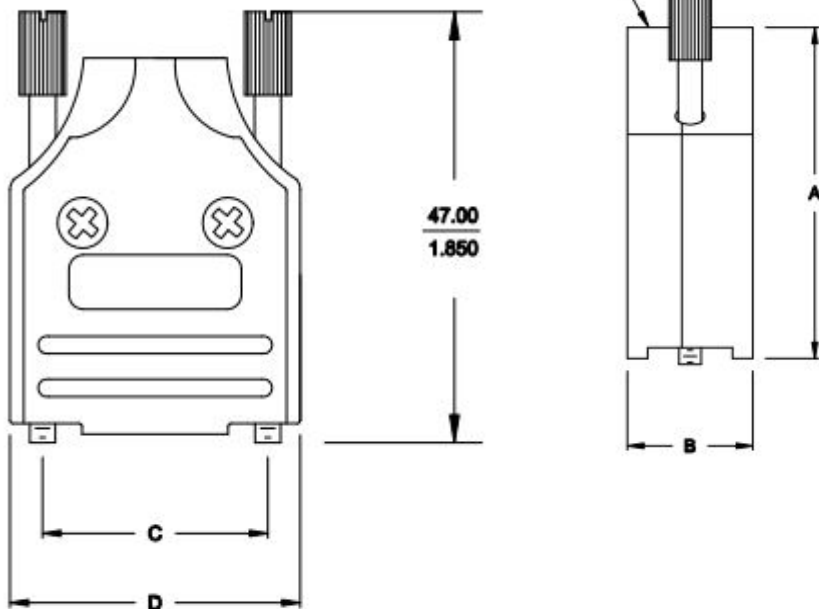
#### Hood:

- No Contacts: 9, 15, 25
- Kit Type: D-Sub Connector Kit
- Housing Material: Nickel Plated Zinc
- Cable Entry: Straight, 90 degrees
- Cable OD: Up to 13mm

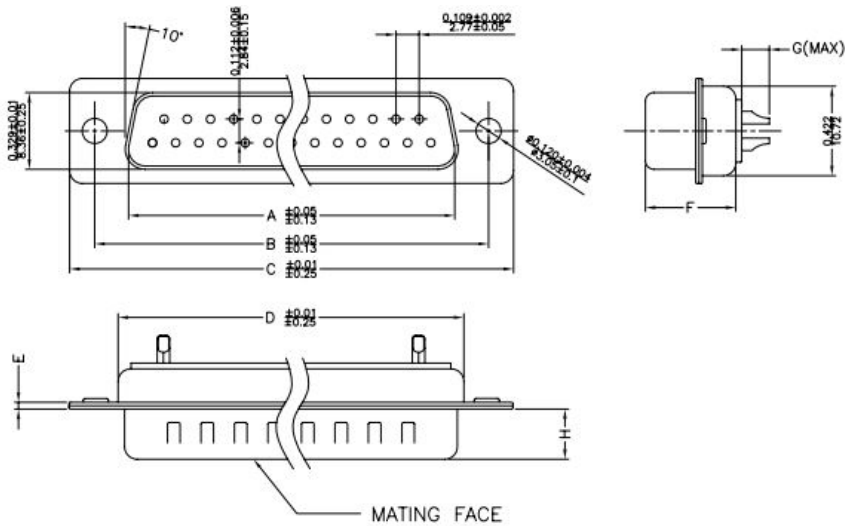
#### D-Sub Connector:

- Voltage Rating: 250V
- Current Rating: 5 Amps
- Contact Resistance: 25mA Max
- Insulation Resistance: 1000M  $\Omega$
- Operating Temperature: -55°C to 105°C
- Shell: Tin Plated Steel
- Insulator Material: Glass Filled Polyester
- Contact Material: Copper Alloy
- Contact Plating: Gold over Nickel

E= Max Cable O.D



Dimensions					
Size	A	B	C	D	E
09	41.30	15.39	24.99	32.21	13.00
	1.626	0.606	0.984	1.268	0.512
15	43.31	15.39	33.32	40.59	13.00
	1.705	0.606	1.312	1.598	0.512
25	49.50	15.39	47.04	54.51	13.00
	1.949	0.606	1.852	2.146	0.512

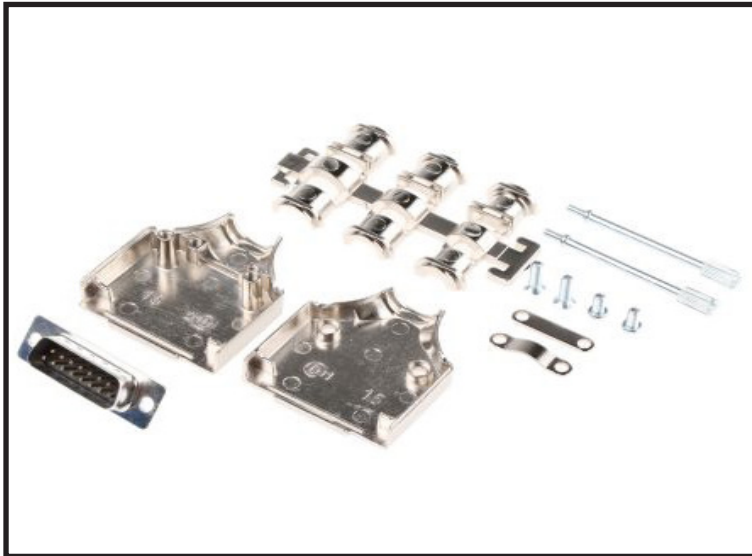


Dimensions			
	09	15	25
A	16.92	25.25	38.96
B	24.99	33.32	47.04
C	30.81	39.14	53.04
D	19.23	27.56	41.30
E	1.0	1.0	1.0
F	10.8	10.8	10.8
G	2.7	2.7	2.7
H	5.84	5.84	5.84

Part No	Positions	Male/ Female	Conatct Type	Hood Part No	D-Sub Part No
MHDM9-DM9P-K	9 Pin	Male	Machined	MHDM-9-K	MHDM9SP
MHDM15-DM15P-K	15 Pin	Male	Machined	MHDM-15-K	MHDM15SP
MHDM25-DM25P-K	25 Pin	Male	Machined	MHDM-25-K	MHDM25SP
MHDM9-DM9S-K	9 Pin	Female	Machined	MHDM-9-K	MHDM9SS
MHDM15-DM15S-K	15 Pin	Female	Machined	MHDM-15-K	MHDM15SS
MHDM25-DM25S-K	25 Pin	Female	Machined	MHDM-25-K	MHDM25SS

# MHDM Series

## Diecast Hood & D-Sub Connector Kit | Stamped & Formed



### Features

- Strong Nickel Plated, Die cast Zinc hood
- Cable Entry, straight, 90 degrees
- Will accommodate 6.2mm to 13.0mm diameter cable
- Compression inserts can be mixed to maximum cable retention
- 4-40 UNC Jackscrews
- Machined or Stamped & Formed Connector

### The Kit Contains:

- Backshell halves x2
- Strain Relief Screws x2
- Strain Relief Clamps x2
- Housing screws x2
- UNC 4-40 Jackscrews x2
- D-Sub Connector ( Male or Female) x1
- Set of metallised plastic compression inserts x1

### Specification

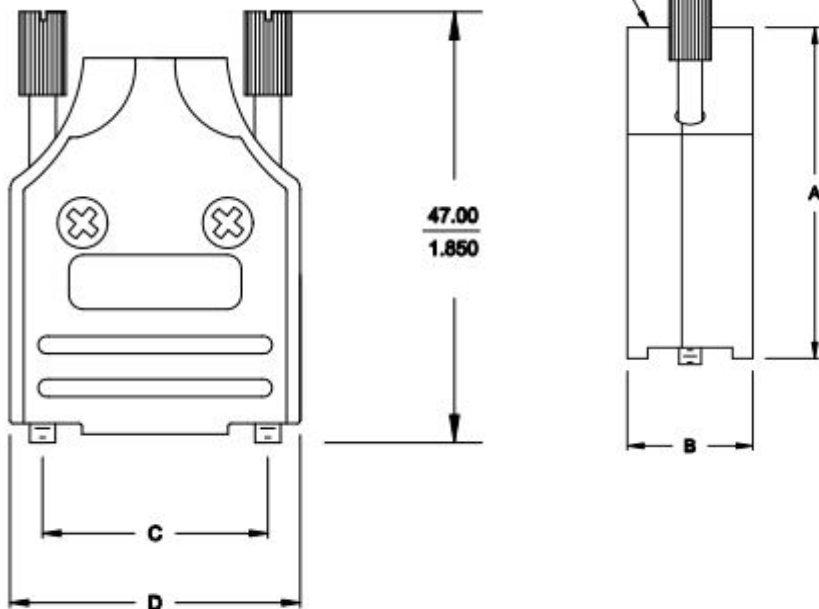
#### Hood:

- No Contacts: 9, 15, 25
- Kit Type: D-Sub Connector Kit
- Housing Material: Nickel Plated Zinc
- Cable Entry: Straight, 90 degrees
- Cable OD: Up to 13mm

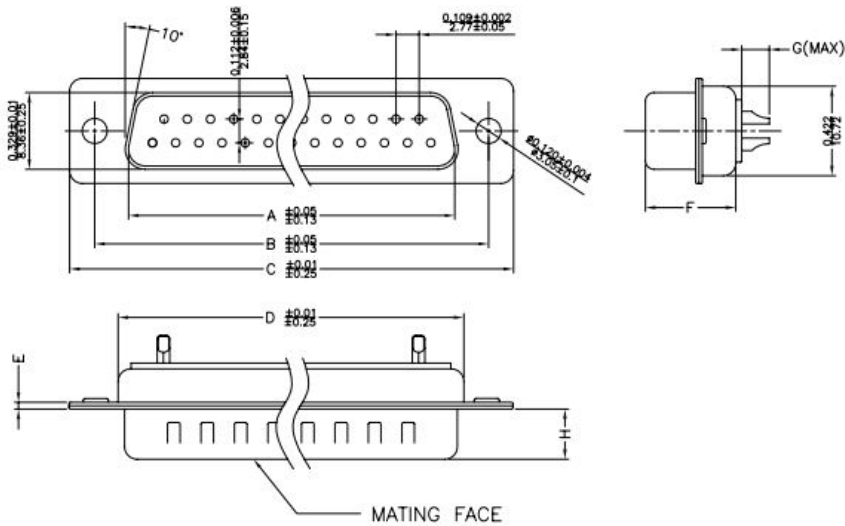
#### D-Sub Connector:

- Voltage Rating: 250V
- Current Rating: 3 Amps
- Contact Resistance: 25mA Max
- Insulation Resistance: 1000MΩ
- Operating Temperature: -55°C to 105°C
- Shell: Tin Plated Steel
- Insulator Material: Glass Filled Polyester
- Contact Material: Copper Alloy
- Contact Plating: Selective Gold over Nickel, Solder bucket: Tin plated

E= Max Cable O.D



Dimensions					
Size	A	B	C	D	E
09	41.30	15.39	24.99	32.21	13.00
	1.626	0.606	0.984	1.268	0.512
15	43.31	15.39	33.32	40.59	13.00
	1.705	0.606	1.312	1.598	0.512
25	49.50	15.39	47.04	54.51	13.00
	1.949	0.606	1.852	2.146	0.512



Dimensions			
	09	15	25
A	16.92	25.25	38.96
B	24.99	33.32	47.04
C	30.81	39.14	53.04
D	19.23	27.56	41.30
E	1.0	1.0	1.0
F	10.8	10.8	10.8
G	2.7	2.7	2.7
H	5.84	5.84	5.84

Part No	Positions	Male/Female	Contact Type	Hood Part No	D-Sub Part No
MHDM9-DB9P-K	9 Pin	Male	Stamped & Formed	MHDM-9-K	MHDB9SP
MHDM15-DB15P-K	15 Pin	Male	Stamped & Formed	MHDM-15-K	MHDB15SP
MHDM25-DB25P-K	25 Pin	Male	Stamped & Formed	MHDM-25-K	MHDB25SP
MHDM9-DB9S-K	9 Pin	Female	Stamped & Formed	MHDM-9-K	MHDB9SS
MHDM15-DB15S-K	15 Pin	Female	Stamped & Formed	MHDM-15-K	MHDB15SS
MHDM25-DB25S-K	25 Pin	Female	Stamped & Formed	MHDM-25-K	MHDB25SS