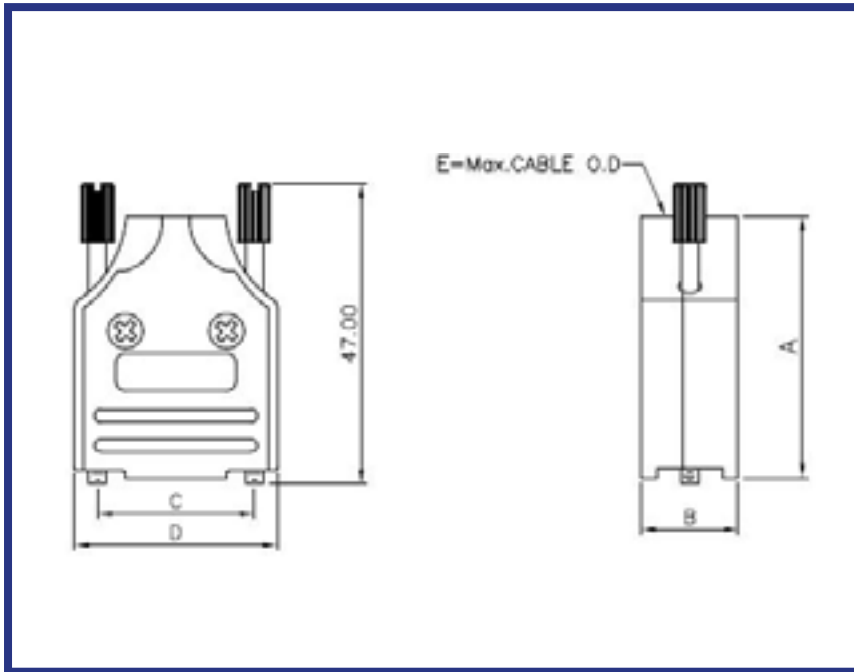


DATA SHEET

MHDTZI SERIES | METAL D-SUB HOOD



Size	A	B	C
9 Way	34.0	45.0	14.6
15 Way	43.0	45.0	14.6
25 Way	56.5	45.0	14.6
37 Way	73.0	45.0	14.6
50 Way	71.0	45.0	17.4

Technical Specification

Material	Zinc, Nickel Plated
Operating Temperature	-40 to 120
Cable Entry	Top
Thumb Screws	UNC 4-40 (Standard), M2.5 or M3 on request
Cable Diameter	Up to 13.0mm

Main Features

Available in size 9, 15, 25, 37 & 50
Excellent EMI shielding
Re-openable
Double strain relief for strong and secure cable claming