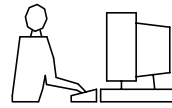


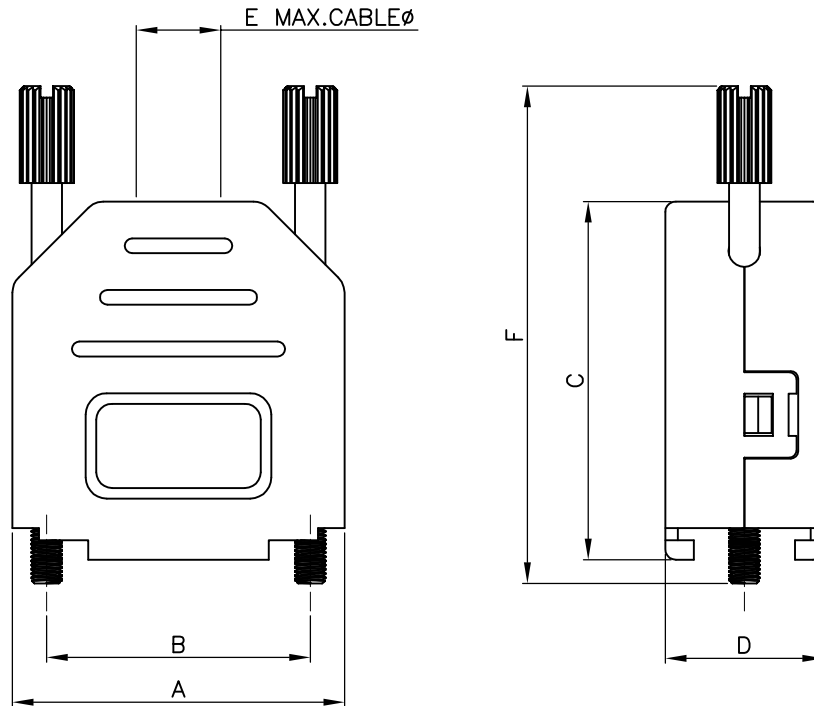
THIS IS A C.A.D. GENERATED DRAWING  
DO NOT MAKE MANUAL REVISIONS TO MASTER.



\* UNLESS OTHERWISE SPECIFIED TOLERANCES  
ON DECIMAL IS:

**BACKSHELL KIT INCLUDES:**

- (1)BACKSHELL
  - (2)4-40 THUMBSCREWS
  - (1)PLASTIC STRAIN RELIEF
  - (1)METAL STRAIN RELIEF CLAMP
  - (2)STRAIN RELIEF SCREWS
- TORQUE VALUE ON PLASTIC FOR STRAIN RELIEF SCREWS=4 INCH POUNDS MAX



DIMENSIONS(mm/in)						
SIZE	A $\pm 0.032$	B $\pm 0.012$	C $\pm 0.02$	D $\pm 0.02$	E	F $\pm 0.02$
9	31.50	24.99	34.00	15.00	8.00	47.20
	1.240	0.984	1.339	0.591	0.315	1.858

ORDERING INFORMATION: (YY=COLOR)

SIZE	P/N-KITTED:	P/N-BULK:
9-WAY	MHDPPK9-YY-K	MHDPPK9-YY

COLOR CODE CHART:

- BLACK = BK
- LIGHT GREY = LG
- DEC GREY = DE
- RED = R
- BLUE = B
- YELLOW = Y
- GREEN = G
- WHITE = W

MATERIAL: POLYAMIDE PA66-UL RECOGNIZED MATERIAL  
SEE COLOR CODE CHART.

THUMBSCREWS: STEEL,BLACK OXIDE(FOR BLACK HOODS)  
STEEL,Zn PLATED(FOR COLORED HOODS)

OPERATING TEMP: -55°C TO+110°C .



THIS SERIES FULLY CONFORMS TO THE  
EUROPEAN UNION DIRECTIVES 2002/95/EC  
AND 2002/96/EC FOR RoHS COMPLIANCY.

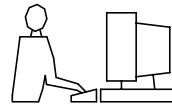


**MH CONNECTORS ,  
DIVISION OF EDAC**

THESE DRAWINGS AND SPECIFICATIONS ARE THE  
PROPERTY OF MH CONNECTORS AND SHALL NOT BE  
REPRODUCED, COPIED OR USED AS THE BASIS FOR  
THE MANUFACTURE OR SALE OF APPARATUS WITHOUT  
WRITTEN PERMISSION.

DRAWN HALEY		DATE 06-24-15
APPROVED DAMIEN		DATE 06-30-15
SCALE NTS	SHEET OF 1 OF 1	REV: 2.0
DRAWING No MHDPPK9-SLIM SERIES		

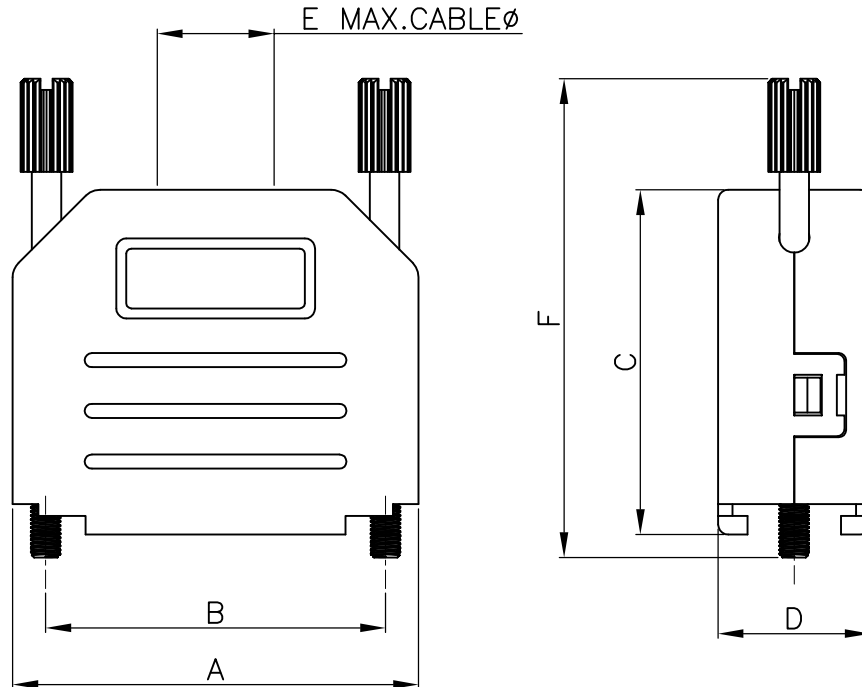
THIS IS A C.A.D. GENERATED DRAWING  
DO NOT MAKE MANUAL REVISIONS TO MASTER.



\* UNLESS OTHERWISE SPECIFIED TOLERANCES  
ON DECIMAL IS:

**BACKSHELL KIT INCLUDES:**

- (1)BACKSHELL
  - (2)4-40 THUMBSCREWS
  - (1)PLASTIC STRAIN RELIEF
  - (1)METAL STRAIN RELIEF CLAMP
  - (2)STRAIN RELIEF SCREWS
- TORQUE VALUE ON PLASTIC FOR STRAIN RELIEF SCREWS=4 INCH POUNDS MAX



DIMENSIONS(mm/in)						
SIZE	A $\pm 0.032$	B $\pm 0.012$	C $\pm 0.02$	D $\pm 0.02$	E	F $\pm 0.02$
15	40.00	33.32	34.00	15.00	11.50	47.20
	1.575	1.312	1.339	0.591	0.453	1.858

ORDERING INFORMATION: (YY=COLOR)

SIZE	P/N-KITTED:	P/N-BULK:
15-WAY	MHDPPK15-YY-K	MHDPPK15-YY

**COLOR CODE CHART:**

- BLACK = BK
- LIGHT GREY = LG
- DEC GREY = DE
- RED = R
- BLUE = B
- YELLOW = Y
- GREEN = G
- WHITE = W

MATERIAL: POLYAMIDE PA66-UL RECOGNIZED MATERIAL  
SEE COLOR CODE CHART.

THUMBSCREWS: STEEL,BLACK OXIDE(FOR BLACK HOODS)  
STEEL,Zn PLATED(FOR COLORED HOODS)

OPERATING TEMP: -55°C TO+110°C .



THIS SERIES FULLY CONFORMS TO THE  
EUROPEAN UNION DIRECTIVES 2002/95/EC  
AND 2002/96/EC FOR RoHS COMPLIANCY.

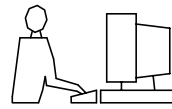


**MH CONNECTORS ,  
DIVISION OF EDAC**

THESE DRAWINGS AND SPECIFICATIONS ARE THE  
PROPERTY OF MH CONNECTORS AND SHALL NOT BE  
REPRODUCED, COPIED OR USED AS THE BASIS FOR  
THE MANUFACTURE OR SALE OF APPARATUS WITHOUT  
WRITTEN PERMISSION.

DRAWN HALEY		DATE 06-24-15
APPROVED DAMIEN		DATE 06-30-15
SCALE NTS	SHEET OF 1 OF 1	REV: 2.0
DRAWING No MHDPPK15-SLIM SERIES		

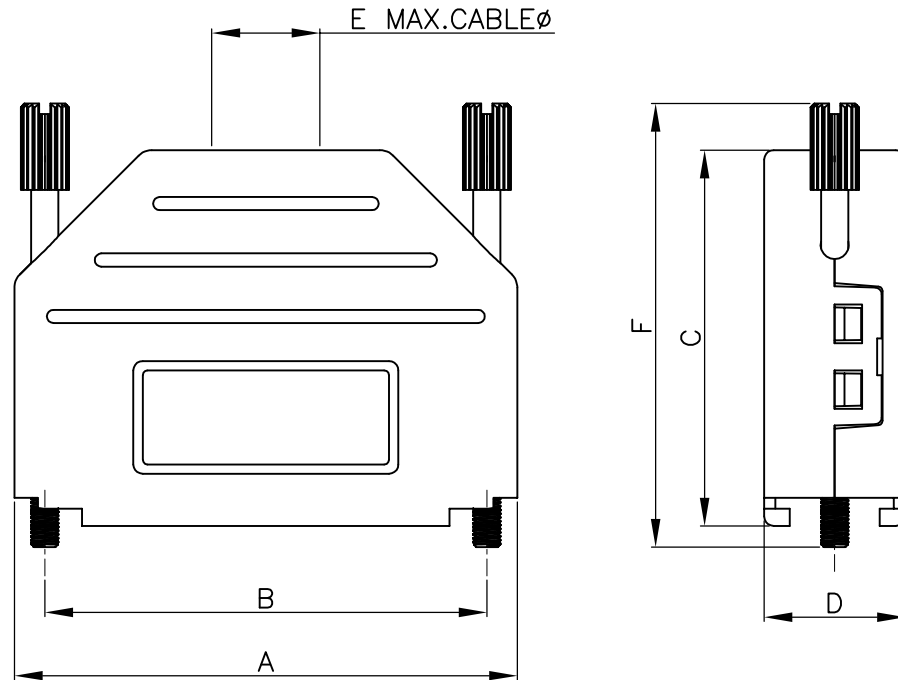
THIS IS A C.A.D. GENERATED DRAWING  
DO NOT MAKE MANUAL REVISIONS TO MASTER.



\* UNLESS OTHERWISE SPECIFIED TOLERANCES  
ON DECIMAL IS:

**BACKSHELL KIT INCLUDES:**

- (1)BACKSHELL
  - (2)4-40 THUMBSCREWS
  - (1)PLASTIC STRAIN RELIEF
  - (1)METAL STRAIN RELIEF CLAMP
  - (2)STRAIN RELIEF SCREWS
- TORQUE VALUE ON PLASTIC FOR STRAIN RELIEF SCREWS=4 INCH POUNDS MAX



DIMENSIONS(mm/in)						
SIZE	A $\pm 0.032$	B $\pm 0.012$	C $\pm 0.02$	D $\pm 0.02$	E	F $\pm 0.02$
25	53.50	47.04	40.00	15.00	11.50	47.20
	2.106	1.852	1.575	0.591	0.453	1.858

ORDERING INFORMATION: (YY=COLOR)

SIZE	P/N-KITTED:	P/N-BULK:
25-WAY	MHDPPK25-YY-K	MHDPPK25-YY

**COLOR CODE CHART:**

- BLACK = BK
- LIGHT GREY = LG
- DEC GREY = DE
- RED = R
- BLUE = B
- YELLOW = Y
- GREEN = G
- WHITE = W

MATERIAL: POLYAMIDE PA66-UL RECOGNIZED MATERIAL  
SEE COLOR CODE CHART.

THUMBSCREWS: STEEL,BLACK OXIDE(FOR BLACK HOODS)  
STEEL,Zn PLATED(FOR COLORED HOODS)

OPERATING TEMP: -55°C TO+110°C .



THIS SERIES FULLY CONFORMS TO THE  
EUROPEAN UNION DIRECTIVES 2002/95/EC  
AND 2002/96/EC FOR RoHS COMPLIANCY.

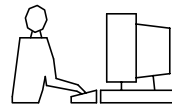


**MH CONNECTORS ,  
DIVISION OF EDAC**

THESE DRAWINGS AND SPECIFICATIONS ARE THE  
PROPERTY OF MH CONNECTORS AND SHALL NOT BE  
REPRODUCED, COPIED OR USED AS THE BASIS FOR  
THE MANUFACTURE OR SALE OF APPARATUS WITHOUT  
WRITTEN PERMISSION.

DRAWN HALEY		DATE 06-24-15
APPROVED DAMIEN		DATE 06-30-15
SCALE NTS	SHEET OF 1 OF 1	REV: 2.0
DRAWING No MHDPPK25-SLIM SERIES		

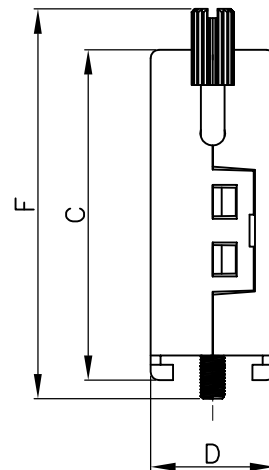
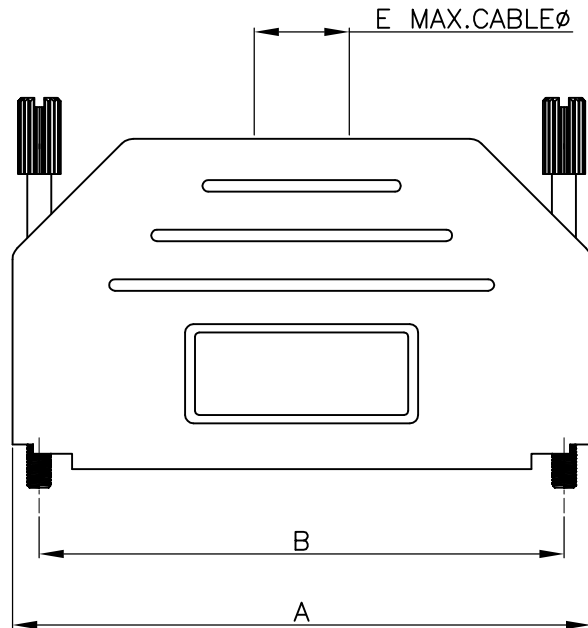
THIS IS A C.A.D. GENERATED DRAWING  
DO NOT MAKE MANUAL REVISIONS TO MASTER.



\* UNLESS OTHERWISE SPECIFIED TOLERANCES  
ON DECIMAL IS:

**BACKSHELL KIT INCLUDES:**

- (1) BACKSHELL
  - (2) 4-40 THUMBSCREWS
  - (1) PLASTIC STRAIN RELIEF
  - (1) METAL STRAIN RELIEF CLAMP
  - (2) STRAIN RELIEF SCREWS
- TORQUE VALUE ON PLASTIC FOR STRAIN RELIEF SCREWS=4 INCH POUNDS MAX



DIMENSIONS(mm/in)						
SIZE	A $\pm 0.032$	B $\pm 0.012$	C $\pm 0.02$	D $\pm 0.02$	E	F $\pm 0.02$
37	71.00	63.50	40.00	15.00	11.50	47.20
	2.795	2.500	1.575	0.591	0.453	1.858

ORDERING INFORMATION: (YY=COLOR)

SIZE	P/N-KITTED:	P/N-BULK:
37-WAY	MHDPPK37-YY-K	MHDPPK37-YY

**COLOR CODE CHART:**

- BLACK = BK
- LIGHT GREY = LG
- DEC GREY = DE
- RED = R
- BLUE = B
- YELLOW = Y
- GREEN = G
- WHITE = W

MATERIAL: POLYAMIDE PA66-UL RECOGNIZED MATERIAL  
SEE COLOR CODE CHART.

THUMBSCREWS: STEEL, BLACK OXIDE (FOR BLACK HOODS)  
STEEL, Zn PLATED (FOR COLORED HOODS)

OPERATING TEMP: -55°C TO +110°C .



THIS SERIES FULLY CONFORMS TO THE  
EUROPEAN UNION DIRECTIVES 2002/95/EC  
AND 2002/96/EC FOR RoHS COMPLIANCY.

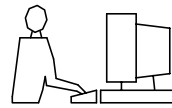


**MH CONNECTORS ,  
DIVISION OF EDAC**

THESE DRAWINGS AND SPECIFICATIONS ARE THE  
PROPERTY OF MH CONNECTORS AND SHALL NOT BE  
REPRODUCED, COPIED OR USED AS THE BASIS FOR  
THE MANUFACTURE OR SALE OF APPARATUS WITHOUT  
WRITTEN PERMISSION.

DRAWN HALEY		DATE 06-24-15
APPROVED DAMIEN		DATE 06-30-15
SCALE NTS	SHEET OF 1 OF 1	REV: 2.0
DRAWING No MHDPPK37-SLIM SERIES		

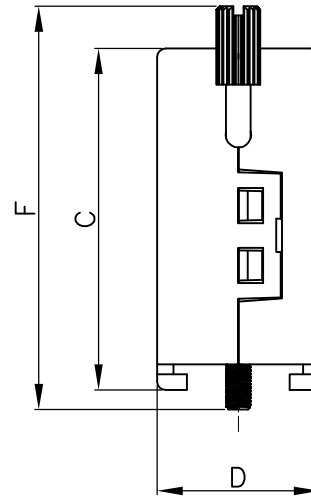
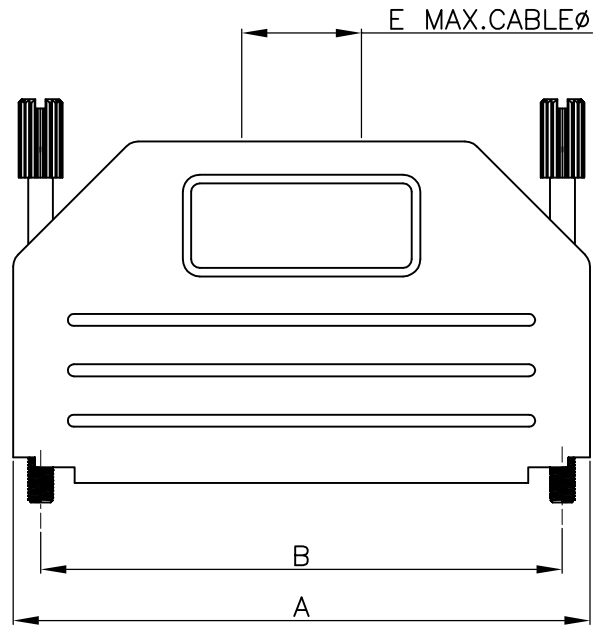
THIS IS A C.A.D. GENERATED DRAWING  
DO NOT MAKE MANUAL REVISIONS TO MASTER.



\* UNLESS OTHERWISE SPECIFIED TOLERANCES  
ON DECIMAL IS:

**BACKSHELL KIT INCLUDES:**

- (1)BACKSHELL
  - (2)4-40 THUMBSCREWS
  - (1)PLASTIC STRAIN RELIEF
  - (1)METAL STRAIN RELIEF CLAMP
  - (2)STRAIN RELIEF SCREWS
- TORQUE VALUE ON PLASTIC FOR STRAIN RELIEF SCREWS=4 INCH POUNDS MAX



DIMENSIONS(mm/in)						
SIZE	A $\pm 0.8$ $\pm 0.032$	B $\pm 0.3$ $\pm 0.012$	C $\pm 0.5$ $\pm 0.02$	D $\pm 0.5$ $\pm 0.02$	E	F $\pm 0.5$ $\pm 0.02$
50	67.50	61.11	40.00	19.00	14.00	47.20
	2.657	2.406	1.575	0.748	0.551	1.858

ORDERING INFORMATION: (YY=COLOR)

SIZE	P/N-KITTED:	P/N-BULK:
50-WAY	MHDPPK50-YY-K	MHDPPK50-YY

**COLOR CODE CHART:**

- BLACK = BK
- LIGHT GREY = LG
- DEC GREY = DE
- RED = R
- BLUE = B
- YELLOW = Y
- GREEN = G
- WHITE = W

MATERIAL: POLYAMIDE PA66-UL RECOGNIZED MATERIAL  
SEE COLOR CODE CHART.

THUMBSCREWS: STEEL,BLACK OXIDE(FOR BLACK HOODS)  
STEEL,Zn PLATED(FOR COLORED HOODS)

OPERATING TEMP: -55°C TO+110°C .



THIS SERIES FULLY CONFORMS TO THE  
EUROPEAN UNION DIRECTIVES 2002/95/EC  
AND 2002/96/EC FOR RoHS COMPLIANCY.



**MH CONNECTORS ,  
DIVISION OF EDAC**

THESE DRAWINGS AND SPECIFICATIONS ARE THE  
PROPERTY OF MH CONNECTORS AND SHALL NOT BE  
REPRODUCED, COPIED OR USED AS THE BASIS FOR  
THE MANUFACTURE OR SALE OF APPARATUS WITHOUT  
WRITTEN PERMISSION.

DRAWN HALEY		DATE 06-24-15
APPROVED DAMIEN		DATE 06-30-15
SCALE NTS	SHEET OF 1 OF 1	REV: 2.0
DRAWING No MHDPPK50-SLIM SERIES		