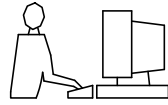


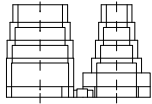
THIS IS A C.A.D. GENERATED DRAWING  
DO NOT MAKE MANUAL REVISIONS TO MASTER.



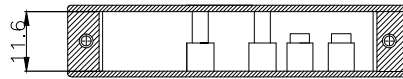
\* UNLESS OTHERWISE SPECIFIED TOLERANCES  
ON DECIMAL IS: ANGLE  $\pm 1^\circ$   
UNIT: MM .XX  $\pm 0.35$

**BACKSHELL KIT INCLUDES:**

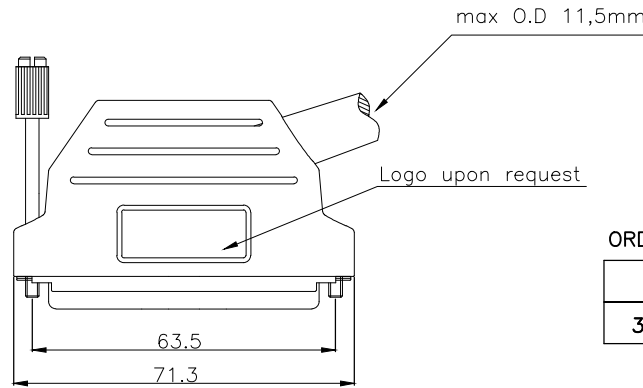
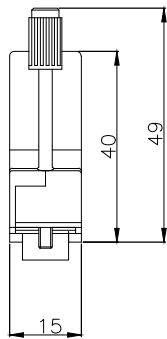
- (2)BACKSHELL HALVES
- (1)4-40 THUMBSCREWS
- (1)MATING SCREW (FULL METAL)
- (2)CLAMP SCREWS
- (1)METAL CLAMP
- (1)PLASTIC CLAMP



Bypacked 2 grommets,  
only with metalized version  
(Optional plastic version)



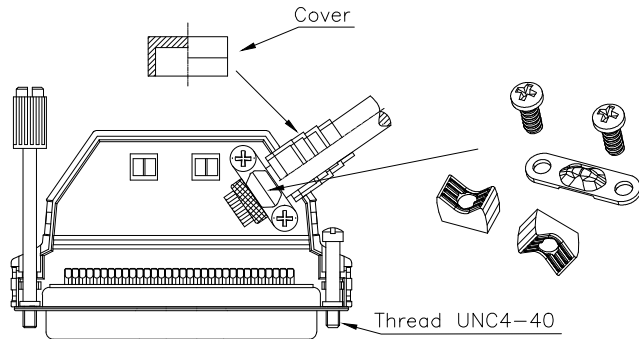
DIMENSIONS(mm/in)				
SIZE	A $\pm_{\pm 0.10}^{.25}$	B $\pm_{\pm 0.10}^{.25}$	C $\pm_{\pm 0.10}^{.25}$	D $\pm_{\pm 0.05}^{.13}$
37	71.3	40.0	15.00	63.50
	2.807	1.575	0.591	2.500



**ORDERING INFORMATON:**

SIZE	P/N - KITTED	PRODUCT CODE
37-WAY	6260-0107-14	MHDSSK-P-37-S-K

SIZE	P/N - BULK	PRODUCT CODE
37-WAY	6261-0107-14	MHDSSK-P-37-S



BACKSHELL MATERIAL: ABS,UL RECOGNIZED BLACK  
 JACKSCREWS: STEEL:ZN PLATED WITH PLASTIC KNOB  
 COMPRESSION INSERT: ABS,UL RECOGNIZED  
 CLAMP SCREW: STEEL:ZN PLATED  
 OPERATING TEMP: -55°C TO+110°C

THESE DRAWINGS AND SPECIFICATIONS ARE THE PROPERTY OF MH CONNECTORS LTD. AND SHALL NOT BE REPRODUCED, COPIED OR USED AS THE BASIS FOR THE MANUFACTURE OR SALE OF APPARATUS WITHOUT WRITTEN PERMISSION.

DRAWN Johnny DATE 12-05-12

APPROVED DAMIEN DATE 01-07-14

SCALE 1:1 SHEET OF 1 OF 1 REV: 2.0

DRAWING No MHDSSK-P-37-S

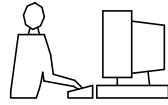


THIS SERIES FULLY CONFORMS TO THE EUROPEAN UNION DIRECTIVES 2002/95/EC AND 2002/96/EC FOR RoHS COMPLIANCY.



**MH CONNECTORS LTD.**

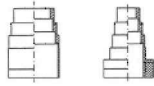
THIS IS A C.A.D. GENERATED DRAWING  
DO NOT MAKE MANUAL REVISIONS TO MASTER.



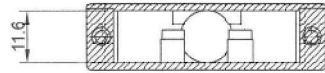
\* UNLESS OTHERWISE SPECIFIED TOLERANCES  
ON DECIMAL IS: ANGLE  $\pm 1^\circ$   
UNIT: MM .XX  $\pm 0.35$

**BACKSHELL KIT INCLUDES:**

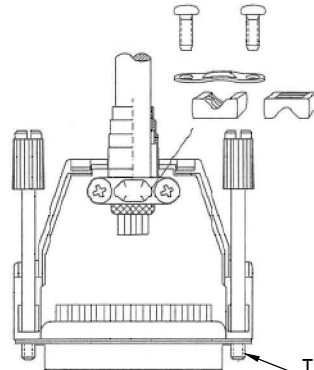
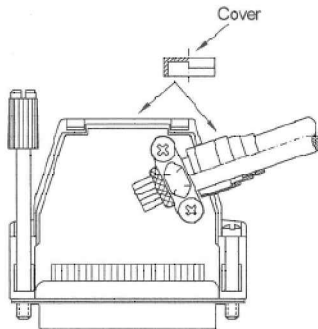
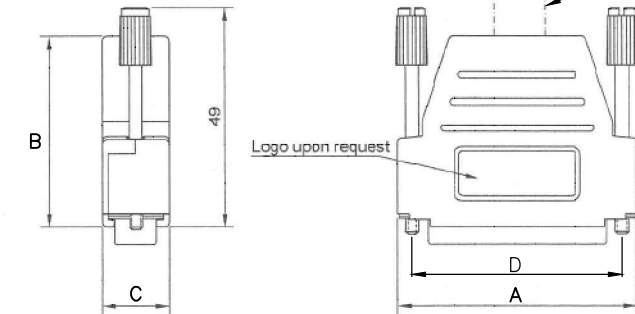
- (2)BACKSHELL HALVES
- (3)4-40 THUMBSCREWS
- (2)CLAMP SCREWS
- (2)CLAMP
- (1)BLANKING PLUG
- (1)SET OF COMPRESSION INSERTS-VARIOUS SIZES FOR 9-37



Bypacked 2 grommets,  
only with metalized version.  
(Optional for plastic version)



max O.D 11,5mm



DIMENSIONS(mm/in)				
SIZE	A $\pm_{\pm 0.10}^{.25}$	B $\pm_{\pm 0.10}^{.25}$	C $\pm_{\pm 0.10}^{.25}$	D $\pm_{\pm 0.05}^{.13}$
9	31.5	40.0	15.00	24.99
	1.240	1.575	0.591	0.984
15	40.0	40.0	15.00	33.32
	1.575	1.575	0.591	1.312
25	53.5	43.0	15.00	47.04
	2.106	1.693	0.591	1.852

**ORDERING INFORMATON:**

SIZE	P/N - KITTED	PRODUCT CODE
9-WAY	6260-0107-01	MHDSSK-P-09-L-K
15-WAY	6260-0107-02	MHDSSK-P-15-L-K
25-WAY	6260-0107-03	MHDSSK-P-25-L-K

SIZE	P/N - BULK	PRODUCT CODE
9-WAY	6261-0107-01	MHDSSK-P-09-L
15-WAY	6261-0107-02	MHDSSK-P-15-L
25-WAY	6261-0107-03	MHDSSK-P-25-L

BACKSHELL MATERIAL: ABS,UL RECOGNIZED BLACK  
 JACKSCREWS: STEEL:ZN PLATED WITH PLASTIC KNOB  
 COMPRESSION INSERT: ABS,UL RECOGNIZED  
 CLAMP SCREW: STEEL:ZN PLATED  
 OPERATING TEMP: -55°C TO+110°C

THESE DRAWINGS AND SPECIFICATIONS ARE THE PROPERTY OF MH CONNECTORS LTD. AND SHALL NOT BE REPRODUCED, COPIED OR USED AS THE BASIS FOR THE MANUFACTURE OR SALE OF APPARATUS WITHOUT WRITTEN PERMISSION.

DRAWN Johnny DATE 12-04-12

APPROVED DAMIEN DATE 01-07-14

SCALE 1:1 SHEET OF 1 OF 1 REV: 2.0

DRAWING No MHDSSK-P-XX-L



THIS SERIES FULLY CONFORMS TO THE EUROPEAN UNION DIRECTIVES 2002/95/EC AND 2002/96/EC FOR RoHS COMPLIANCY.



**MH CONNECTORS LTD.**