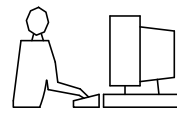


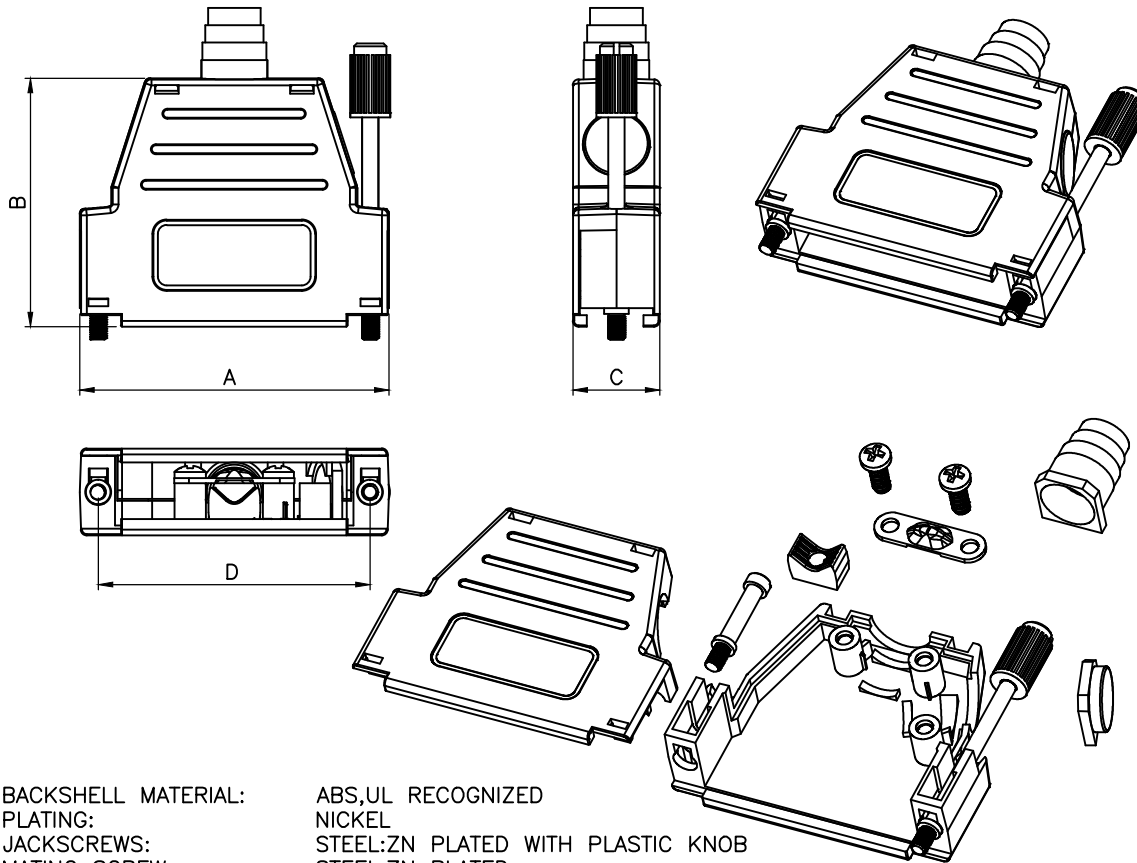
THIS IS A C.A.D. GENERATED DRAWING
DO NOT MAKE MANUAL REVISIONS TO MASTER.



* UNLESS OTHERWISE SPECIFIED TOLERANCES
ON DECIMAL IS: ANGLE $\pm 1^\circ$
UNIT: MM .XX ± 0.35

BACKSHELL KIT INCLUDES:

- (2)BACKSHELL HALVES
- (3)4-40 THUMBSCREWS
- (2)CLAMP SCREWS
- (2)CLAMP
- (1)BLANKING PLUG
- (1)SET OF COMPRESSION INSERTS-VARIOUS SIZES FOR 9-37



DIMENSIONS(mm/in)				
SIZE	A $\pm 1.6(+0.63)$ $\pm 1.50(-.02)$	B $\pm 1.1(+0.43)$ $\pm 1.50(-.02)$	C $\pm .80(+0.32)$ $\pm 1.50(-.02)$	D $\pm .50$ ± 1.02
9	31.5	40.0	15.00	24.99
	1.240	1.575	0.591	0.984
15	40.0	40.0	15.00	33.32
	1.575	1.575	0.591	1.312
25	53.5	43.0	15.00	47.04
	2.106	1.693	0.591	1.852

ORDERING INFORMATION:

SIZE	P/N - KITTED	PRODUCT CODE
9-WAY	6260-0106-01	MHDSSK-M-09-L-K
15-WAY	6260-0106-02	MHDSSK-M-15-L-K
25-WAY	6260-0106-03	MHDSSK-M-25-L-K

SIZE	P/N - BULK	PRODUCT CODE
9-WAY	6261-0106-01	MHDSSK-M-09-L
15-WAY	6261-0106-02	MHDSSK-M-15-L
25-WAY	6261-0106-03	MHDSSK-M-25-L

- | | |
|---------------------|-----------------------------------|
| BACKSHELL MATERIAL: | ABS,UL RECOGNIZED |
| PLATING: | NICKEL |
| JACKSCREWS: | STEEL:ZN PLATED WITH PLASTIC KNOB |
| MATING SCREW: | STEEL:ZN PLATED |
| BLANKING PLUG: | ABS,UL RECOGNIZED |
| COMPRESSION INSERT: | ABS,UL RECOGNIZED |
| METAL CLAMP: | STEEL:ZN PLATED |
| PLASTIC CLAMP: | ABS,UL RECOGNIZED,NICKEL PLATED |
| CLAMP SCREW: | STEEL:ZN PLATED |
| OPERATING TEMP: | -55°C TO+110°C |

THESE DRAWINGS AND SPECIFICATIONS ARE THE PROPERTY OF MH CONNECTORS LTD. AND SHALL NOT BE REPRODUCED, COPIED OR USED AS THE BASIS FOR THE MANUFACTURE OR SALE OF APPARATUS WITHOUT WRITTEN PERMISSION.

DRAWN Johnny	DATE 11-05-15
-----------------	------------------

APPROVED VICTOR	DATE 11-05-15
--------------------	------------------

SCALE	SHEET OF 1 OF 1	REV: 2.0
-------	--------------------	-------------

DRAWING No
MHDSSK-M-XX-L

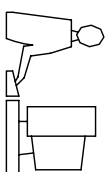


THIS SERIES FULLY CONFORMS TO THE EUROPEAN UNION DIRECTIVES 2002/95/EC AND 2002/96/EC FOR RoHS COMPLIANCY.



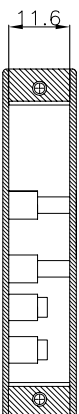
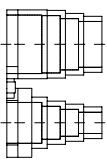
MH CONNECTORS LTD.

THIS IS A C.A.D. GENERATED DRAWING
DO NOT MAKE MANUAL REVISIONS TO MASTER.



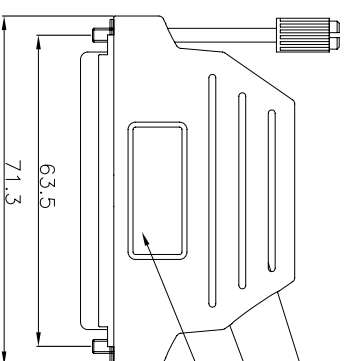
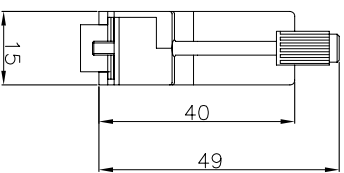
* UNLESS OTHERWISE SPECIFIED TOLERANCES
ON DECIMAL IS: ANGLE $\pm 1^\circ$
UNIT: MM .XX ± 0.35

- BACKSHELL KIT INCLUDES:**
- (2) BACKSHELL HALVES
 - (1) 4-40 THUMBSCREWS
 - (1) MATING SCREW (FULL METAL)
 - (2) CLAMP SCREWS
 - (1) METAL CLAMP
 - (1) PLASTIC CLAMP



DIMENSIONS(mm/in)				
SIZE	A ± 0.10	B ± 0.10	C ± 0.10	D ± 0.13
	71.3	40.0	15.00	63.50
37	2.807	1.575	0.591	2.500

Bypacked 2 grommets,
only with metalized version
(Optional plastic version)



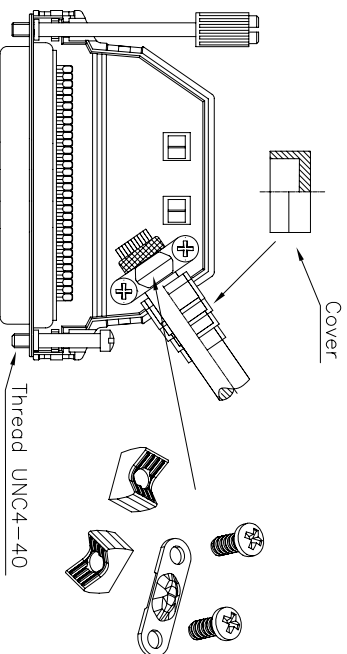
max O.D 11,5mm

Logo upon request

ORDERING INFORMATION:

SIZE	P/N - KITTED	PRODUCT CODE
37-WAY	6260-0106-14	MHDSSK-M-37-S-K

SIZE	P/N - BULK	PRODUCT CODE
37-WAY	6261-0106-14	MHDSSK-M-37-S



BACKSHELL MATERIAL: ABS,UL RECOGNIZED
PLATING: NICKEL
JACKSCREWS: STEEL:ZIN PLATED WITH PLASTIC KNOB
COMPRESSION INSERT: ABS,UL RECOGNIZED
CLAMP SCREW: STEEL:ZIN PLATED
OPERATING TEMP: -55°C TO+110°C



THIS SERIES FULLY CONFORMS TO THE
EUROPEAN UNION DIRECTIVES 2002/95/EC
AND 2002/96/EC FOR ROHS COMPLIANCY.

THESE DRAWINGS AND SPECIFICATIONS ARE THE
PROPERTY OF MH CONNECTORS LTD. AND SHALL NOT
BE REPRODUCED, COPIED OR USED AS THE BASIS FOR
THE MANUFACTURE OR SALE OF APPARATUS WITHOUT
WRITTEN PERMISSION.

DRAWN	DATE
Johnny	12-05-12
APPROVED	DATE

SCALE	SHEET	OF	REV:
1:1	1	DF 1	1.0
DRAWING No MHDSSK-M-37-S			



MH CONNECTORS LTD.