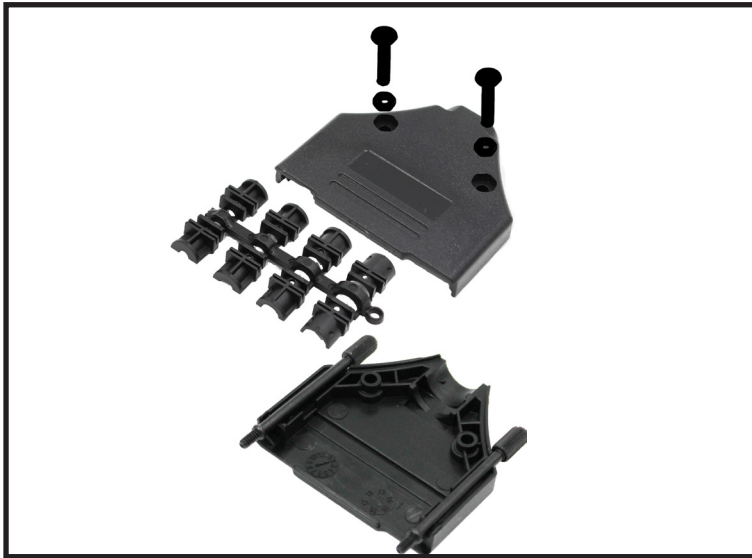


MHDTPPK Series | Plastic D-Sub Hood



Description

- Available in 9,15, 25 or 37 way
- Quick Snap together locking system
- Re-openable
- Cable entry, Top entry
- Operating Temperature, -55°C to 110°C
- Will accommodate up to 13 mm diameter cable
- Cable clamp is secured with 2 screws
- 4-40UNC Jackscrews

The Kit Contains:

Backshell halves	x 2
4-40 Jackscrews	x 2
Plastic strain relief	x 1
Backshell screws	x 2

Specification

- Ways: 9, 15, 25 or 37
- Housing Material: Polyamide UL- Recognised
- Cable Entry: Straight, 90°
- Cable OD: Up to 13 mm

Dimensions			
Size	A	B	C
09	31.2	39.9	15.0
15	39.5	41.5	15.0
25	53.4	48.6	15.0
37	69.7	53.6	15.0

